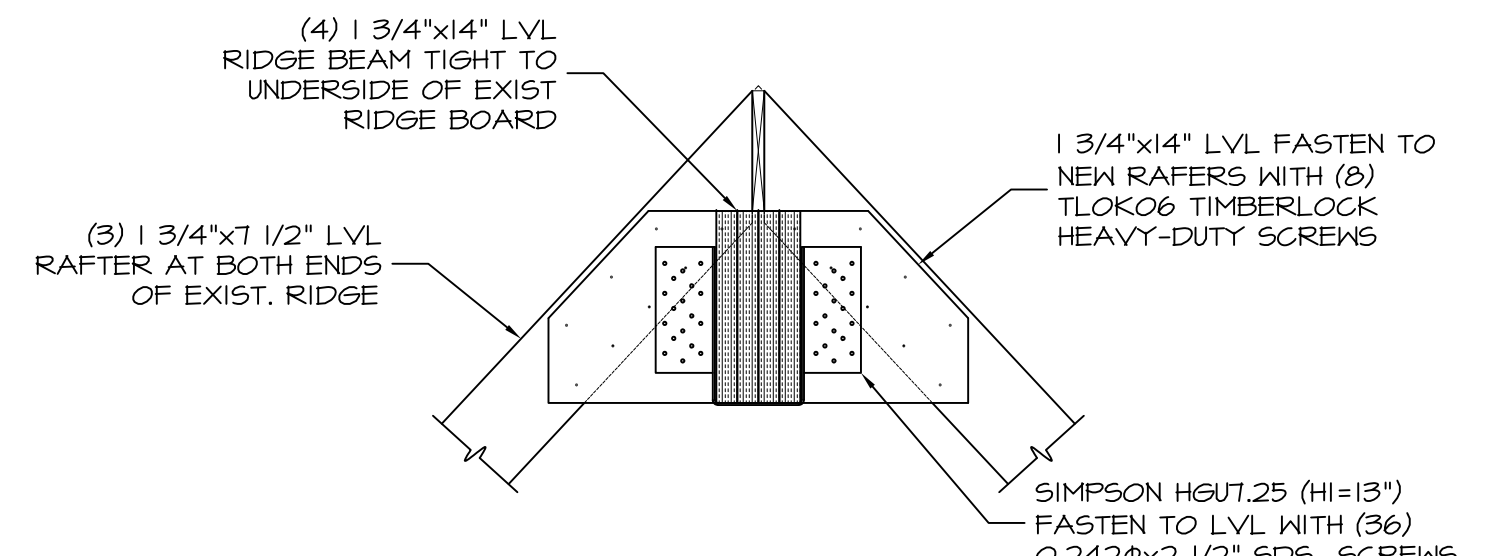
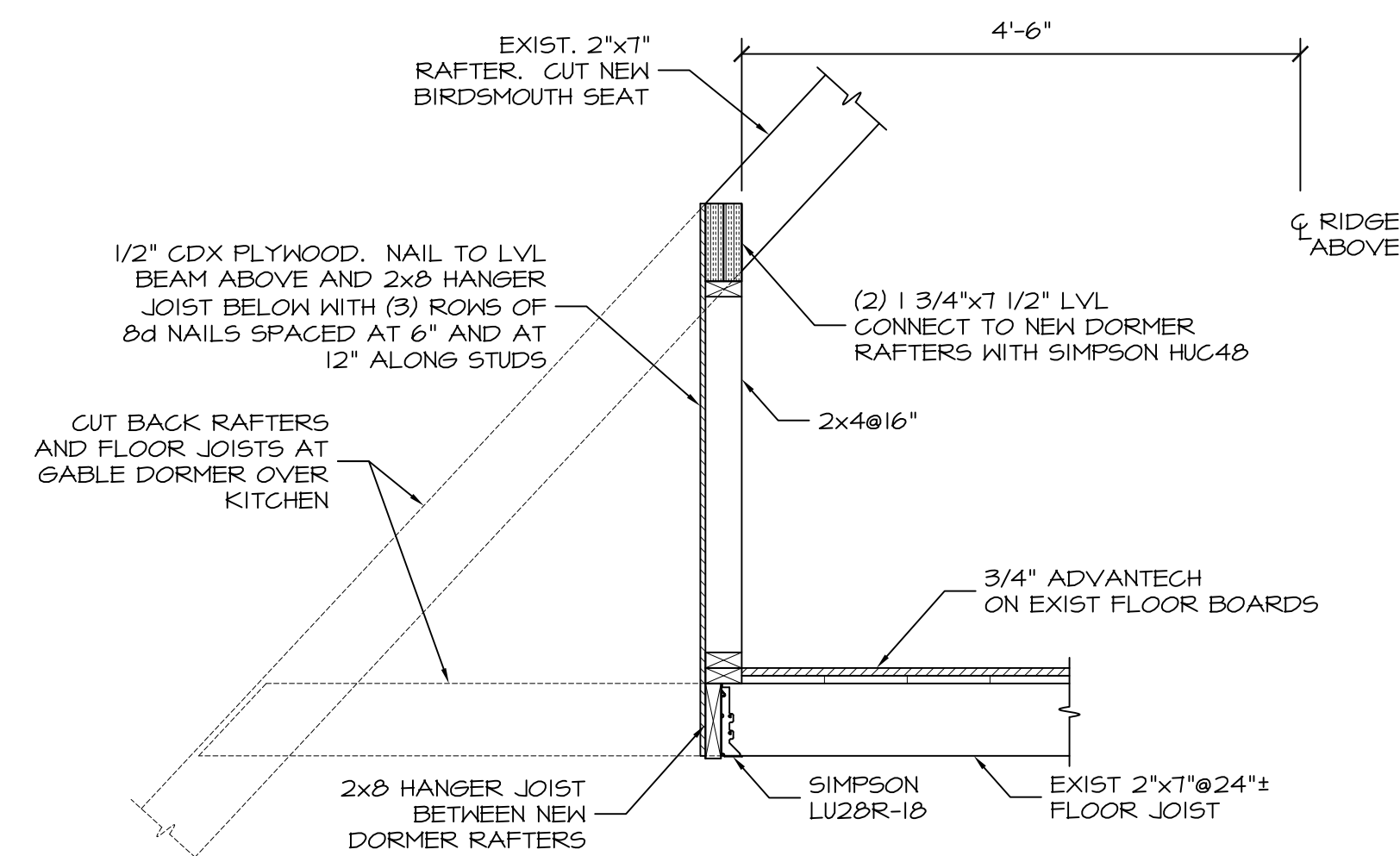


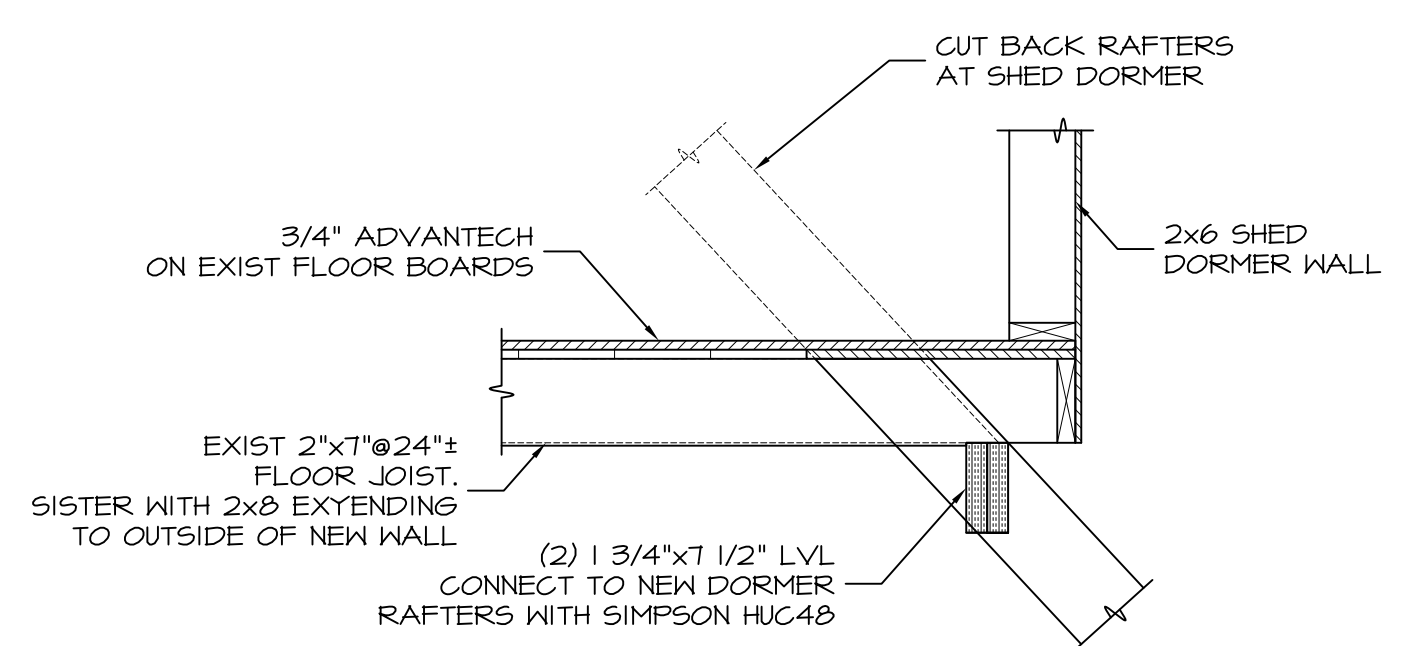
SECTION 1
3/4"=1'-0" S1.0



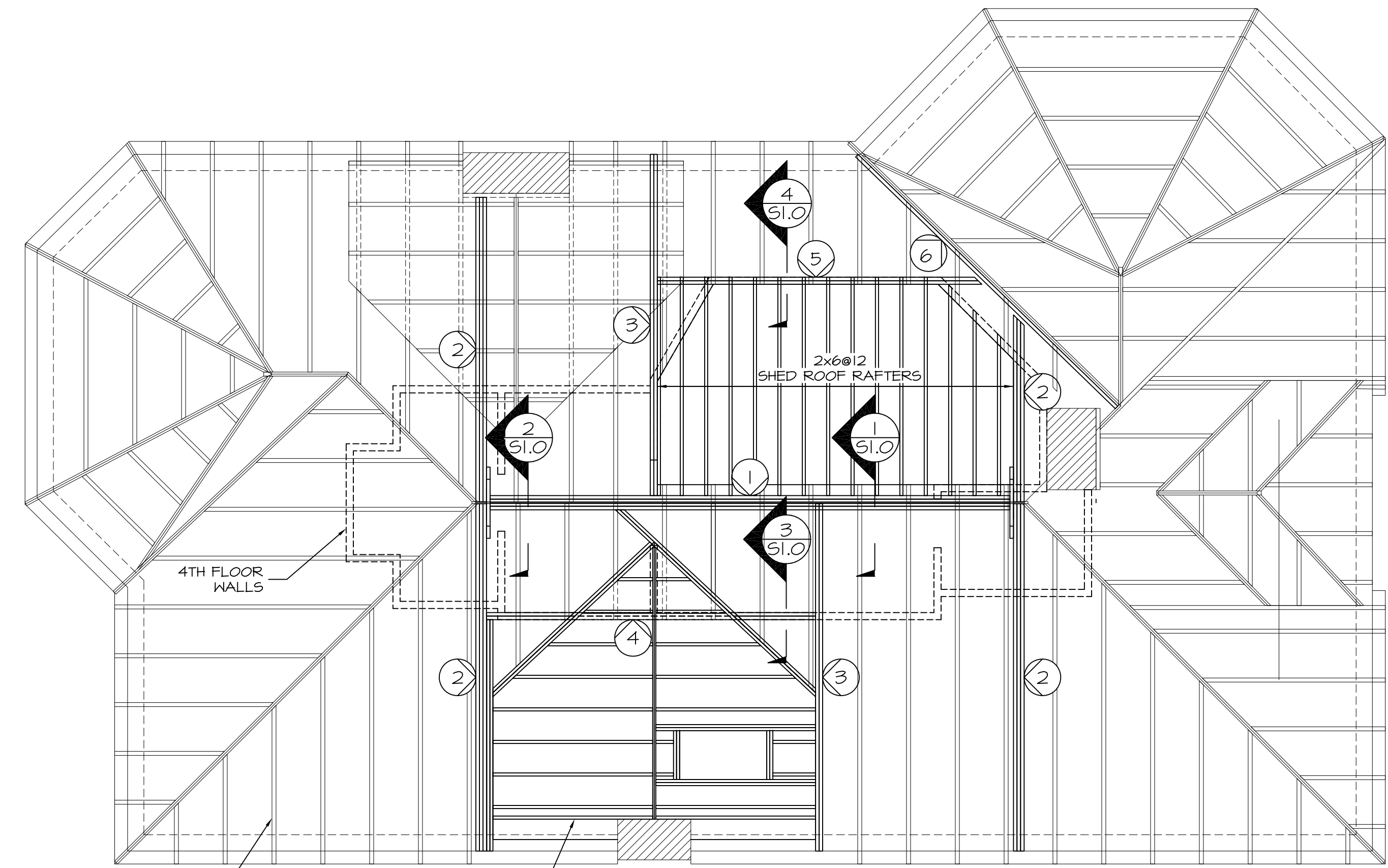
SECTION 2
3/4"=1'-0" S1.0



SECTION 3
3/4"=1'-0" S1.0



SECTION 4
3/4"=1'-0" S1.0

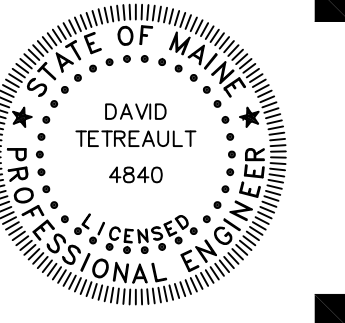
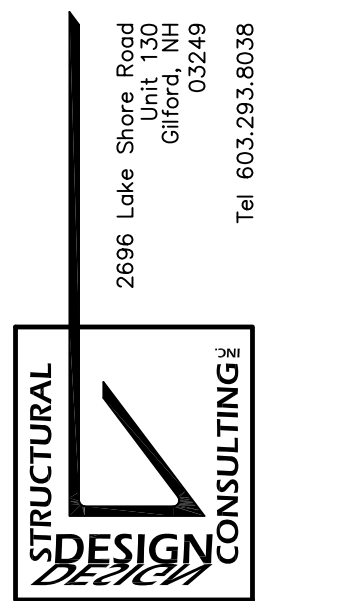


ROOF FACING PLAN
1/4"=1'-0"

SEE ARCHITECTURAL DRAWINGS FOR ALL DIMENSIONS.

LAYOUT OF THE EXISTING ROOF FRAMING IS APPROXIMATE AND BASED ON OBSERVED AREAS OF THE ROOF. CONTRACTOR SHALL REPORT ANY DISCREPANCY TO THE ENGINEER PRIOR TO CONTINUING WITH THE AFFECTED PART OF THE WORK.

FRAMING MEMBER SCHEDULE		
MARK	MARK	NOTES
1	(4) 1 3/4"x14" LVL	RIDGE BEAM SEE SECTIONS 1 AND 2
2	(3) 1 3/4"x12" LVL	RIDGE BEAM SUPPORT RAFTERS
3	(2) 1 3/4"x12" LVL	DORMER SUPPORT RAFTERS
4	(2) 1 3/4"x12" LVL	ROOF BEAM SEE SECTION 3
5	(2) 1 3/4"x12" LVL	4TH FLOOR BEAM SEE SECTION 4
6	1 3/4"x12" LVL	EXIST VALLEY BEAM REINFORCEMENT



Brazell Residence Unit 3
276 State Street
Portland, ME 04102

JOB: 15007

ISSUE DATE	
PRELIM	
P BOARD	
SFMO	
CD's	05-18-15
REV. 1	
PRINT	05-18-15

S1.0