

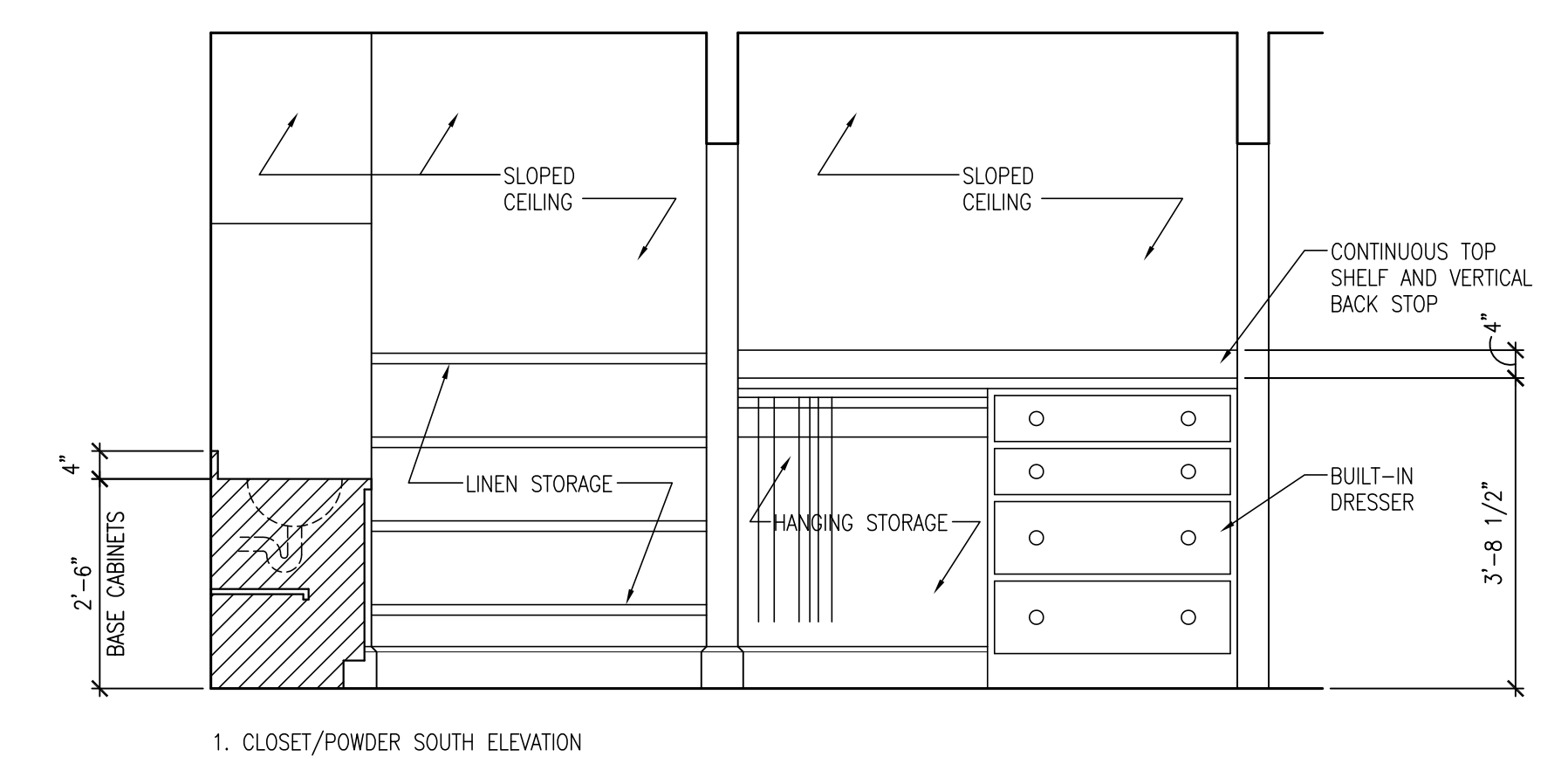
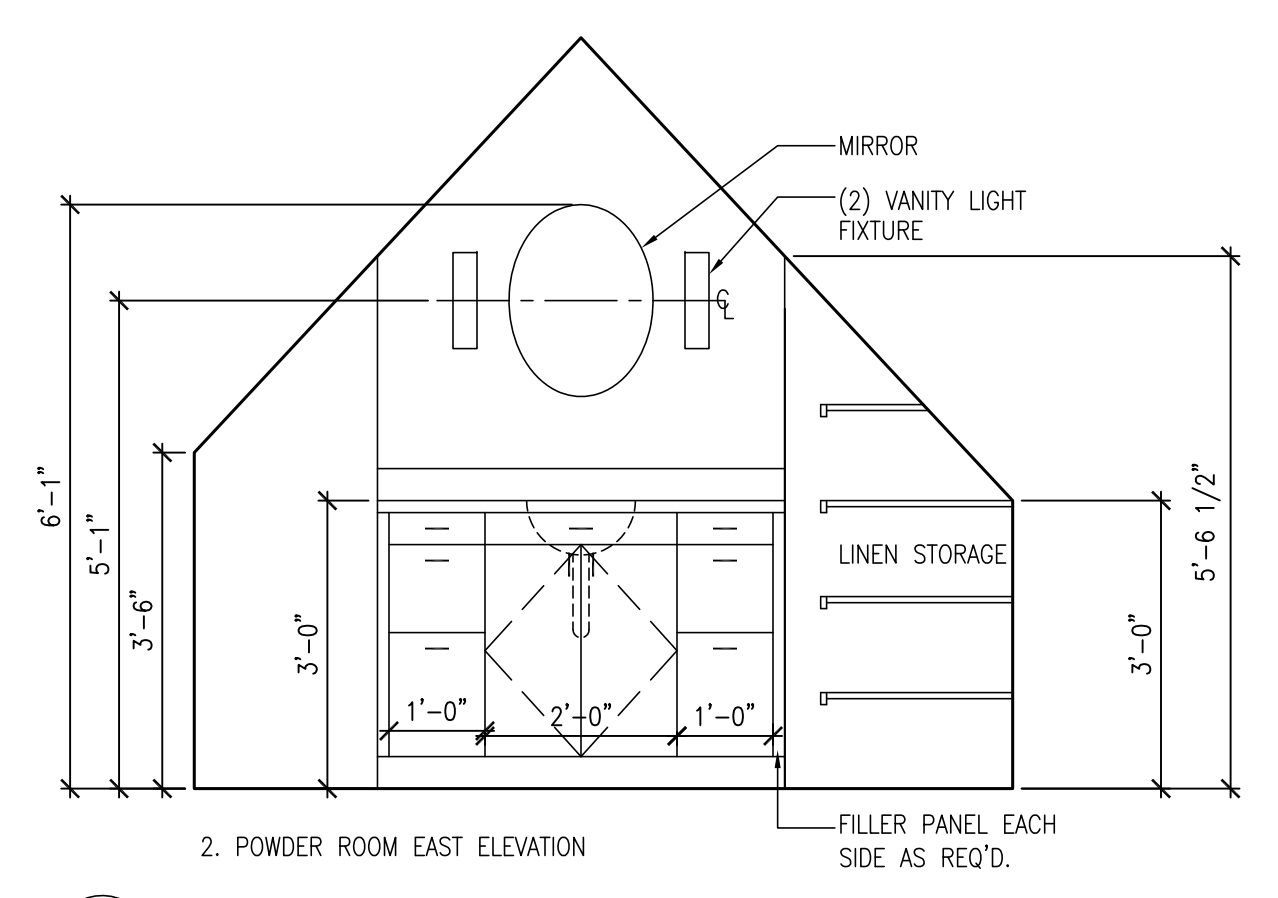
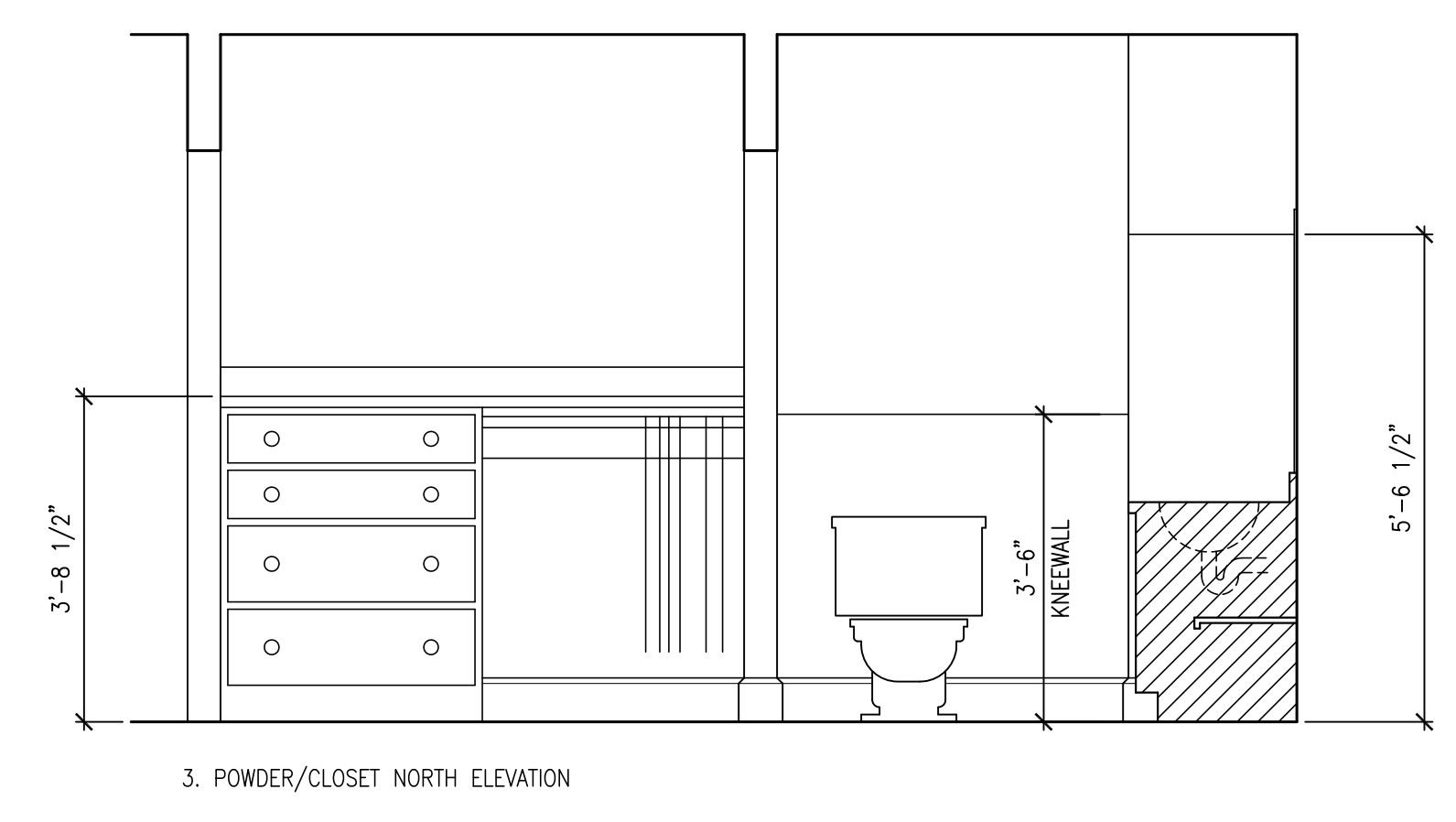
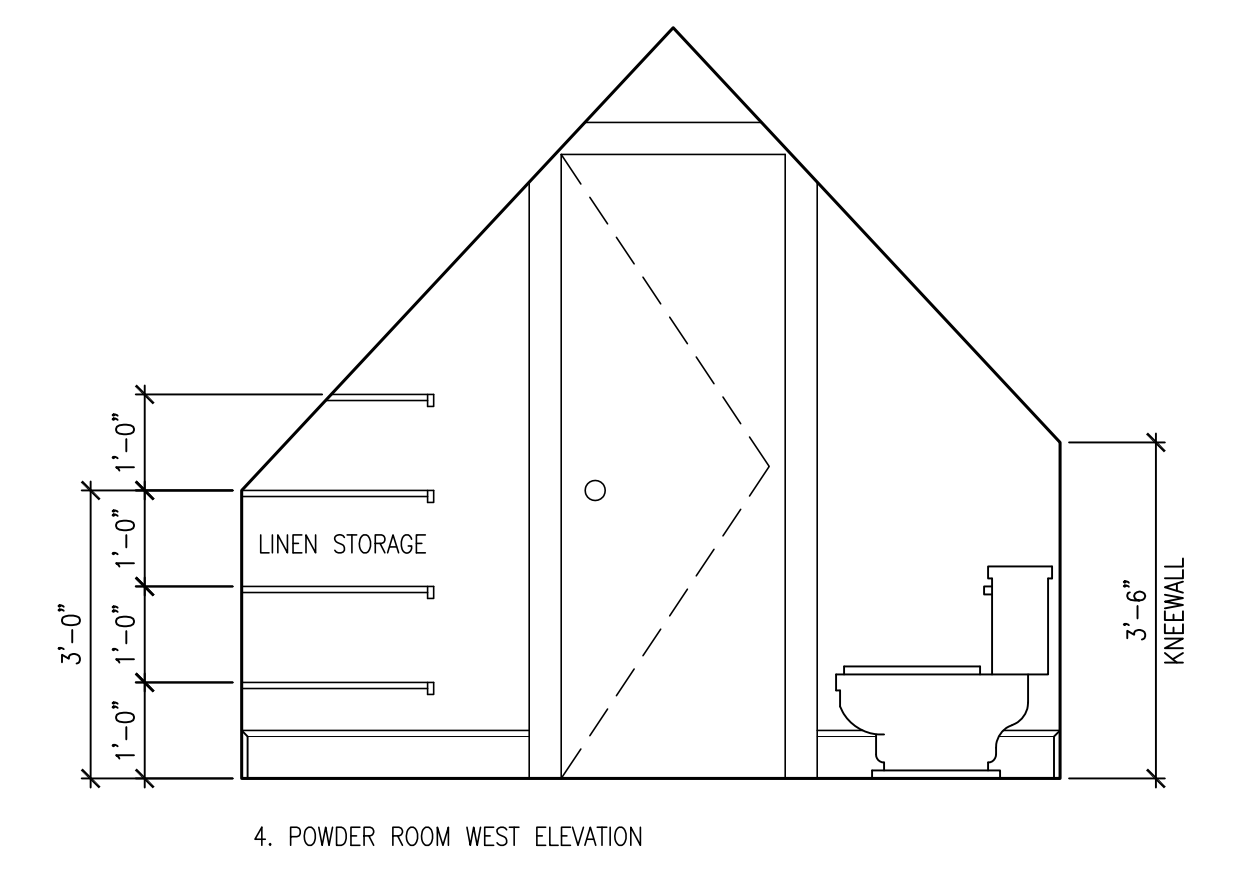
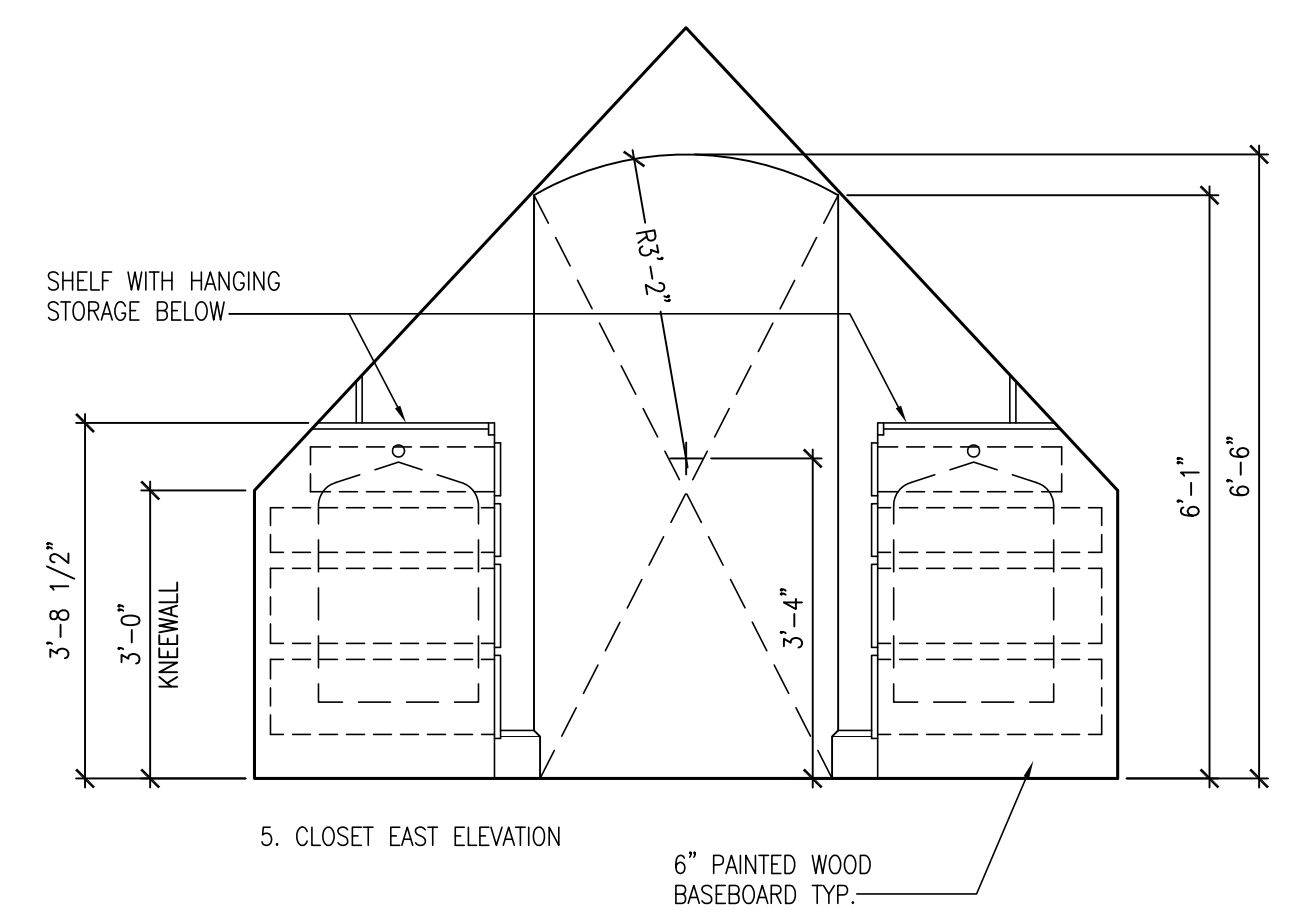
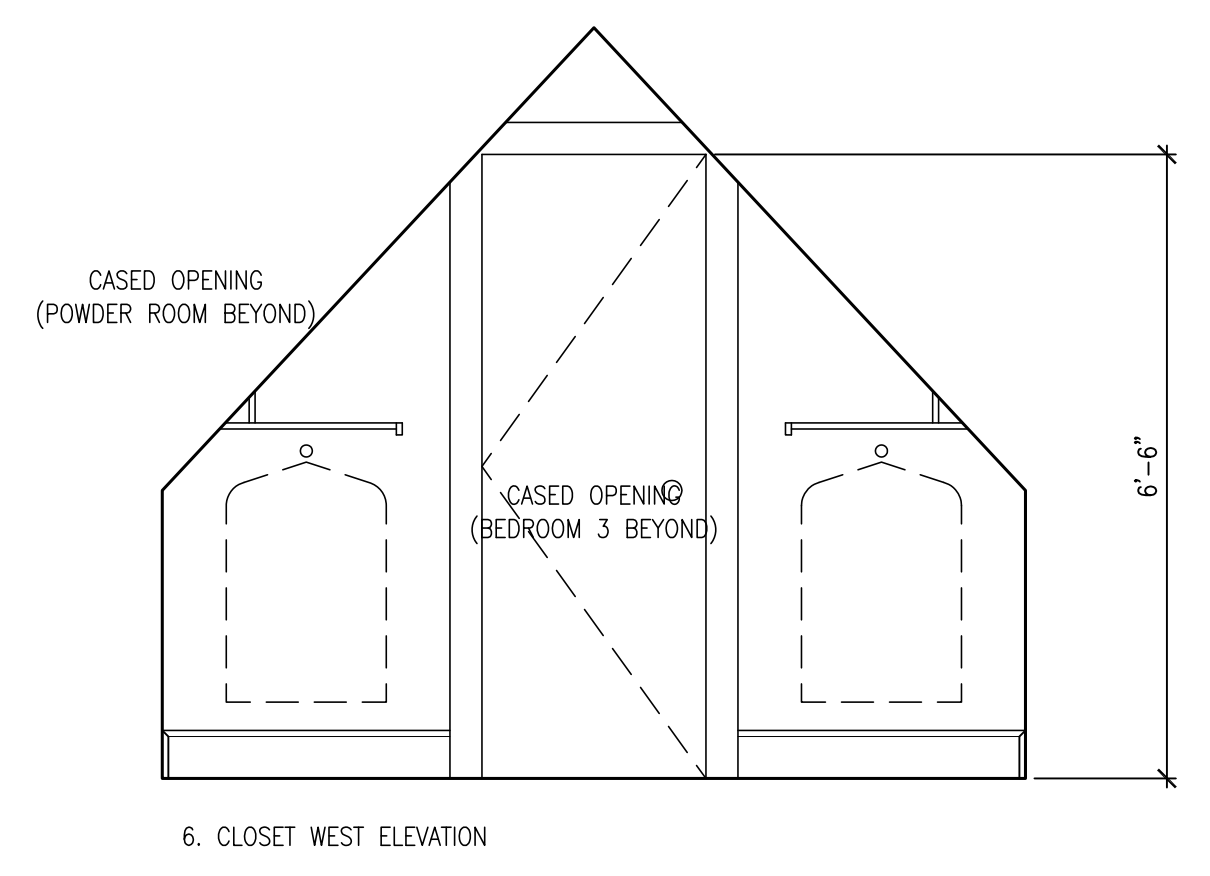
ALPHAarchitects
 17 CHESTNUT STREET
 PORTLAND, ME 04101
 PHONE: 207.761.9500
 FAX: 207.761.9595
 design@alphaarchitects.com

COPYRIGHT

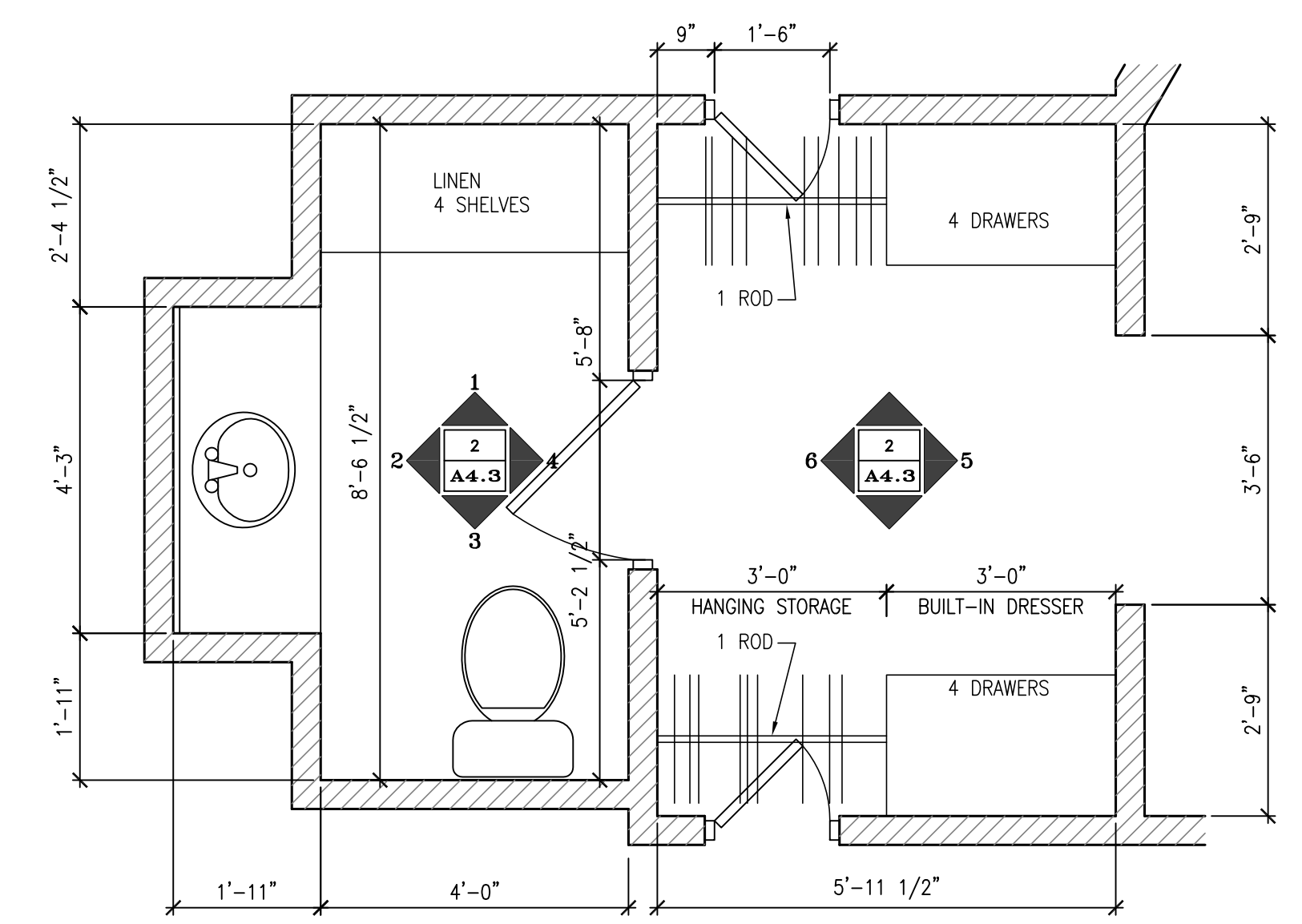
Reuse or reproduction of the contents of this document is not permitted without written permission of ALPHAARCHITECTS



Brazell Residence Unit 3
 276 State Street
 Portland, ME 04102



2 POWDER ROOM & WALK-IN CLOSET INTERIOR ELEVATIONS
 A4.3 SCALE: 1/2" = 1'-0"



1 POWDER ROOM/WALK-IN CLOSET ENLARGED FLOOR PLAN
 A4.3 SCALE: 1/2" = 1'-0"

06-16-15

JOB: 14012

ISSUE DATE	
PRELIM	01/07/15
HP BOARD	04/22/15
CD's	-
REV. 1	-
REV. 2	-
PRINT	06-16-15

ENLARGED FLOOR PLANS & INTERIOR ELEVATIONS

A4.3