

ALPHAarchitects
 17 CHESTNUT STREET
 PORTLAND, ME 04101
 PHONE: 207.761.9500
 FAX: 207.761.9595
 design@alphaarchitects.com

COPYRIGHT

Reuse or reproduction of the contents of this document is not permitted without written permission of ALPHA ARCHITECTS



Brazell Residence Unit 3

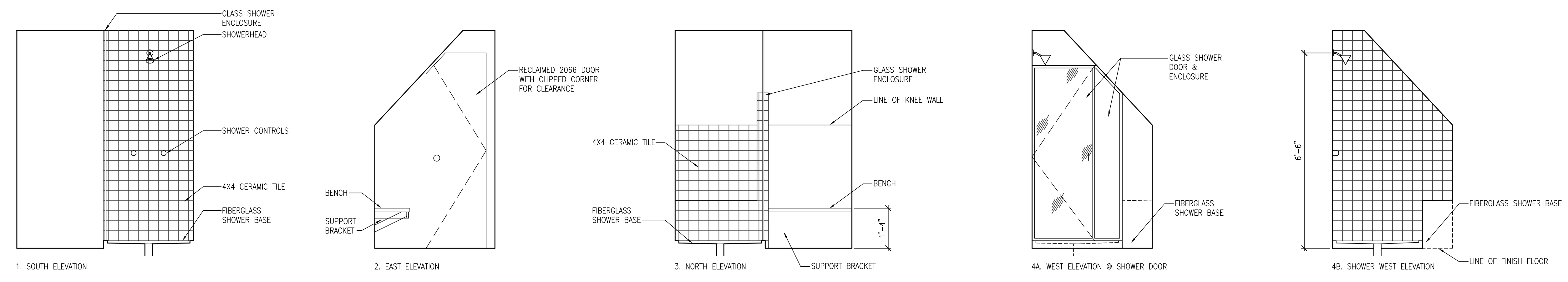
276 State Street
 Portland, ME 04102

JOB: 14012

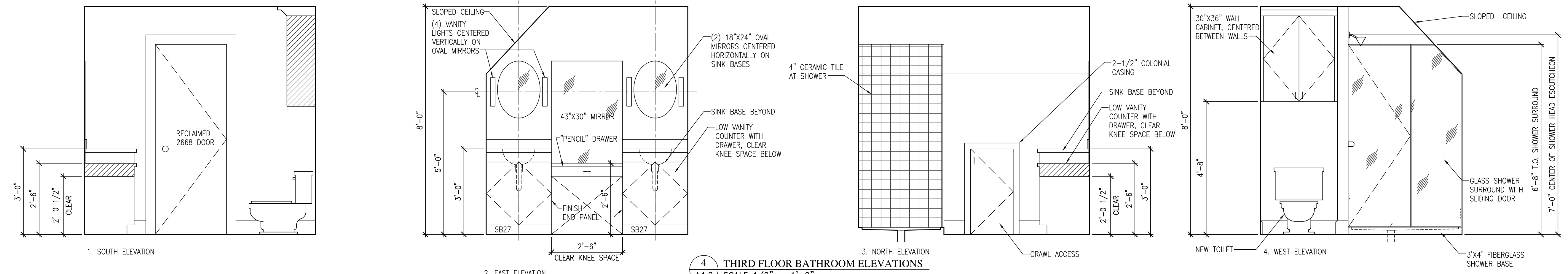
ISSUE DATE	
PRELIM	01/07/15
HP BOARD	04/22/15
CD's	-
REV. 1	-
REV. 2	-
PRINT	06-16-15

ENLARGED FLOOR PLANS & INTERIOR ELEVATIONS

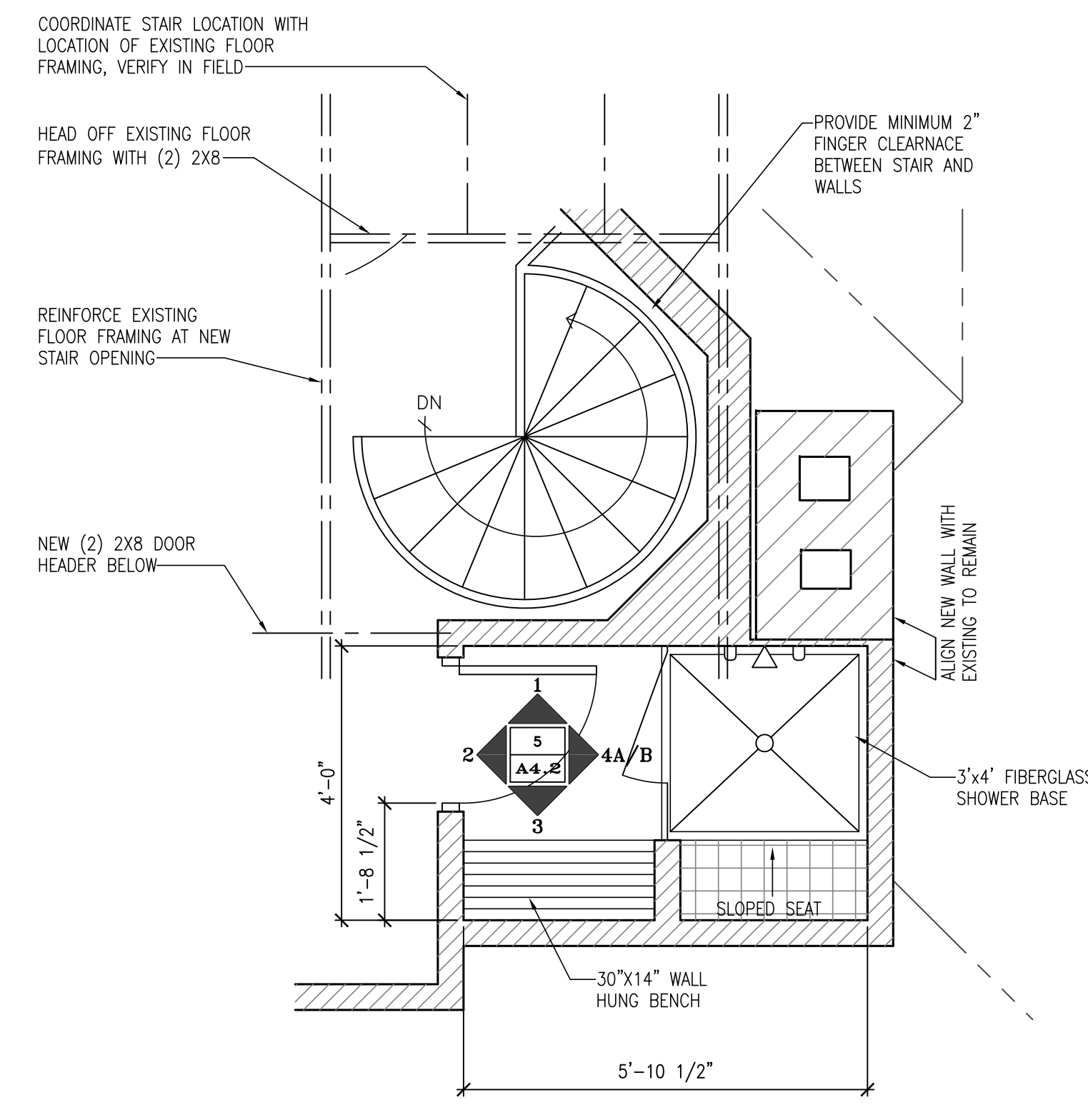
A4.2



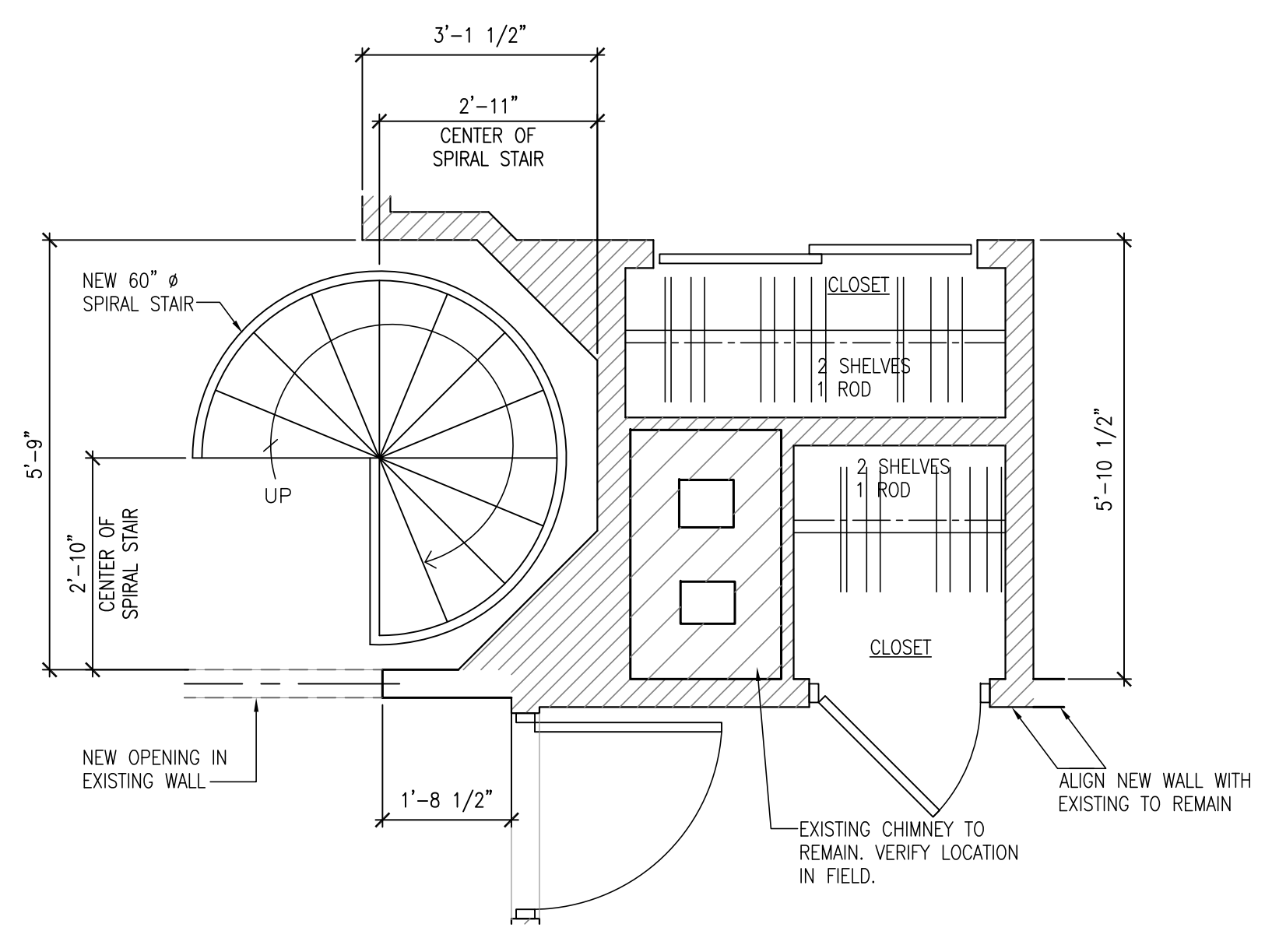
5 FOURTH FLOOR SHOWER ROOM ELEVATIONS
 A4.2 SCALE: 1/2" = 1'-0"



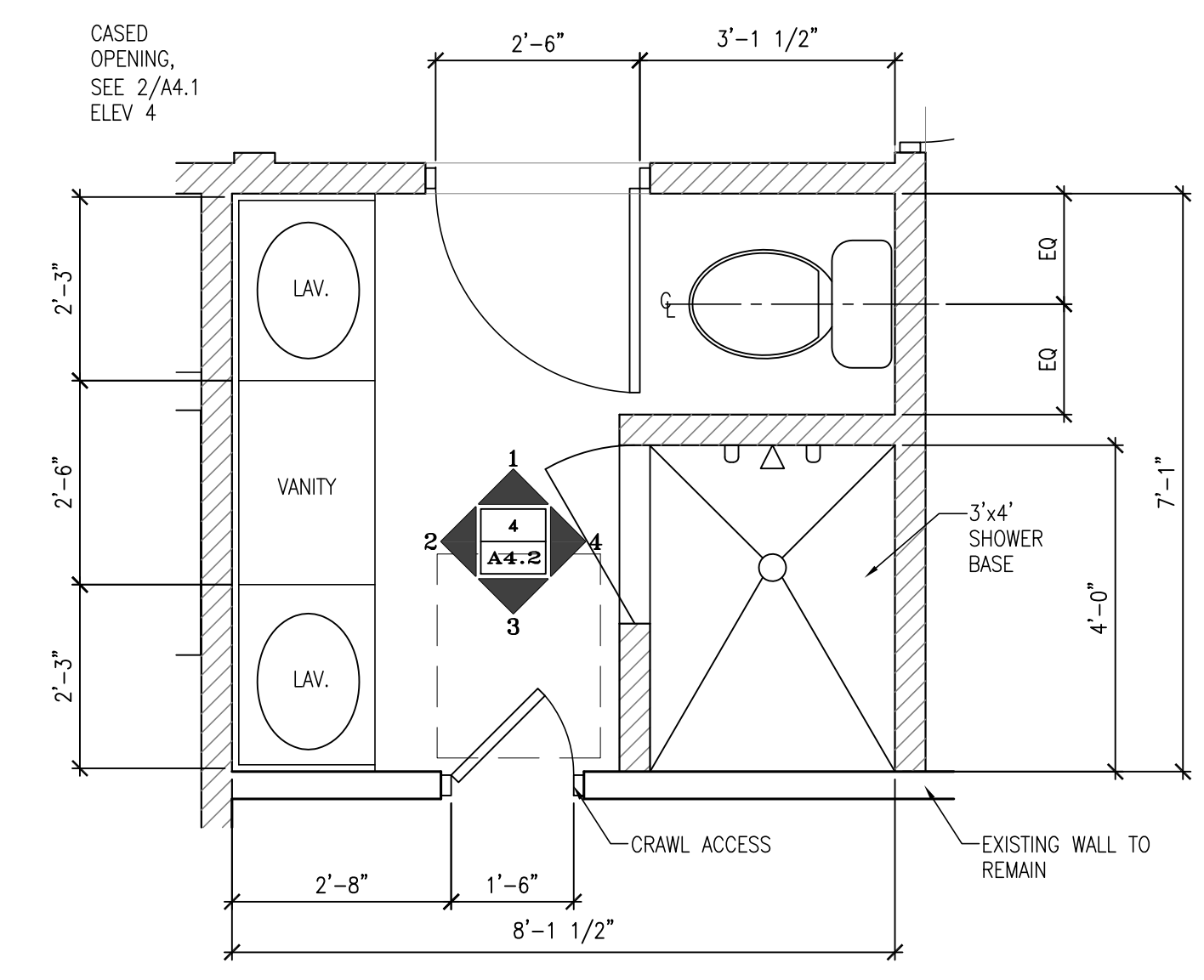
4 THIRD FLOOR BATHROOM ELEVATIONS
 A4.2 SCALE: 1/2" = 1'-0"



3 FOURTH FLOOR SHOWER ROOM ENLARGED PLAN
 A4.2 SCALE: 1/2" = 1'-0"



2 THIRD FLOOR STAIR/CLOSETS ENLARGED PLAN
 A4.2 SCALE: 1/2" = 1'-0"



1 THIRD FLOOR BATHROOM ENLARGED PLAN
 A4.2 SCALE: 1/2" = 1'-0"

06-16-15