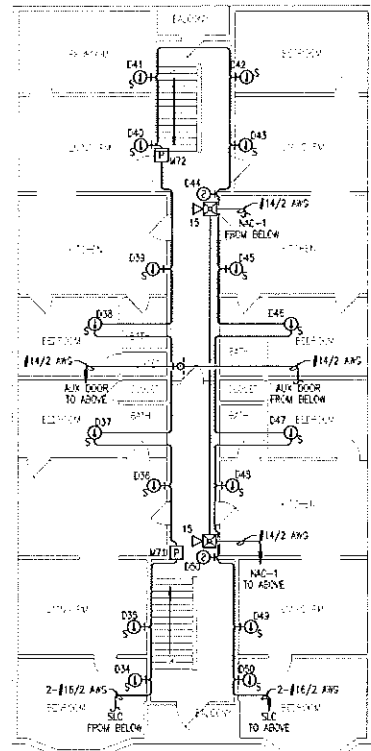
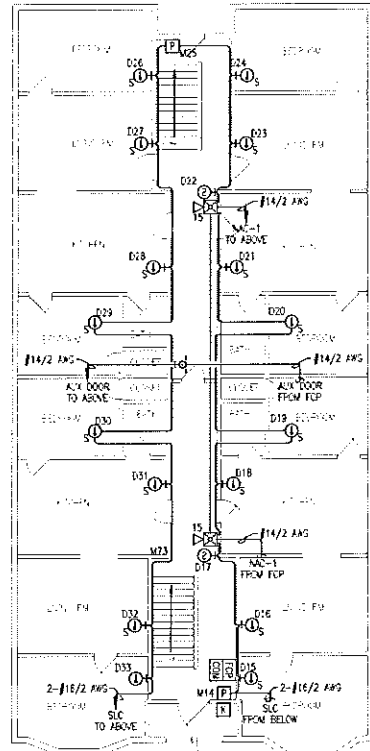


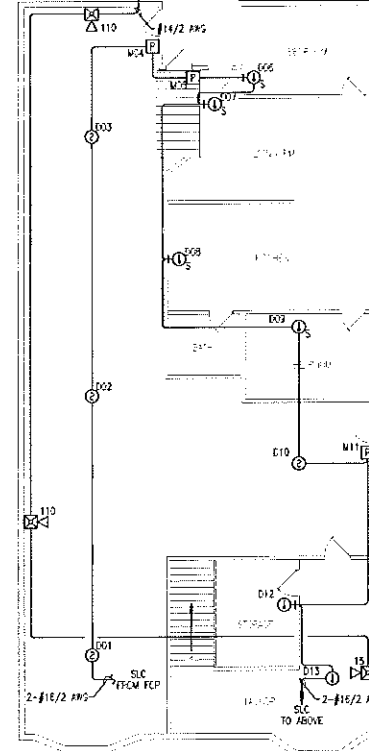
3RD FLR FIRE ALARM PLAN
SCALE: 1/8"=1'-0"



2ND FLR FIRE ALARM PLAN
SCALE: 1/8"=1'-0"



1ST FLR FIRE ALARM PLAN
SCALE: 1/8"=1'-0"



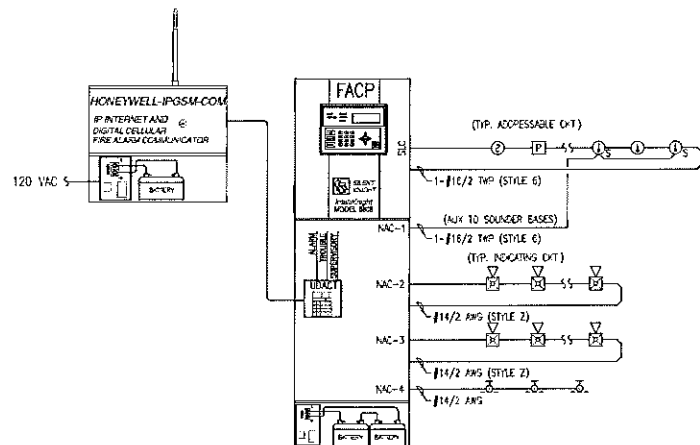
BASEMENT FIRE ALARM PLAN
SCALE: 1/8"=1'-0"

Qty	Device	Current Draw Standby	Current Draw Alarm	Total Alarm Current (Amperes)	Standby Time in Hours	Alarm Time in Minutes (Min)	Total Alarm AH Required
1	5808 CTR Panel	0.170	0.325				
172	AS5808 SIO Devices	0.043	0.047				
49	Sounder Base Power	0.002	1.820	2.132	419	2.97	38.84
2	NAC-1	0.000	0.474	0.474	284	1.48	19.72
2	NAC-2	0.000	0.523	0.523	212	1.07	28.86
2	NAC-3	0.000	0.000	0.000	0.00	0.00	0.00
2	NAC-4	0.000	0.000	0.000	0.00	0.00	0.00
21	Sounder Base	0.000	0.035	0.070	0.000	0.000	0.000
1	System Sensor P2R 150d	0.000	0.079	0.079	0.000	0.079	0.079
1	System Sensor P2R 150d	0.000	0.079	0.079	0.000	0.079	0.079
	Totals	0.002	1.820	2.132	419	2.97	38.84

Project Information
Project Name: 119 Sherman Street
Project ID: 12056
Prepared By: C Haws
Date: 2/21/2012

Qty	Device	Current Draw Standby	Current Draw Alarm	Total Alarm Current (Amperes)	Standby Time in Hours	Alarm Time in Minutes (Min)	Total Alarm AH Required
6	System Sensor P2R 150d	0.000	0.079	0.079	0.000	0.079	0.079
	Totals	0.000	0.474	0.474	0.000	0.474	0.474

Qty	Device	Current Draw Standby	Current Draw Alarm	Total Alarm Current (Amperes)	Standby Time in Hours	Alarm Time in Minutes (Min)	Total Alarm AH Required
2	System Sensor P2R 110d	0.000	0.212	0.000	0.000	0.424	0.424
1	System Sensor P2R 150d	0.000	0.079	0.000	0.000	0.079	0.079
	Totals	0.000	0.503	0.503	0.000	0.503	0.503



FIRE ALARM RISER DIAGRAM
SCHEMATIC: NO SCALE

Device Type	Number of Devices	Current (Amperes)	Total Current (Amperes)
PGSM-COM Cellular Communicator	1	0.0600	0.0600
TOTAL STANDBY LOAD			0.0600
Device Type	Number of Devices	Current (Amperes)	Total Current (Amperes)
PGSM-COM Cellular Communicator	1	0.2500	0.2500
TOTAL ALARM LOAD			0.2500

OPERATIONS MATRIX	FIRE ALARM OUTPUT	ACTIVE ALARM INDICATOR	ACTIVE ALARM	ACTIVE SUPERVISORY INDICATOR	ACTIVE SUPERVISORY SIGNAL	ACTIVE TROUBLE INDICATOR	ACTIVE TROUBLE SIGNAL	TRANSMIT ALARM SIGNAL	TRANSMIT TROUBLE SIGNAL
FIRE ALARM INPUT									
SMOKE DETECTORS	●	●	●	●	●	●	●	●	●
HEAT DETECTORS	●	●	●	●	●	●	●	●	●
PULL STATIONS	●	●	●	●	●	●	●	●	●
FIRE ALARM AC POWER FAIL	●	●	●	●	●	●	●	●	●
FIRE ALARM LOW BATTERY	●	●	●	●	●	●	●	●	●
OPEN CIRCUIT	●	●	●	●	●	●	●	●	●
GROUND FAULT	●	●	●	●	●	●	●	●	●
NAC SHORT CIRCUIT	●	●	●	●	●	●	●	●	●
LOSS OF AC TO BUILDING	●	●	●	●	●	●	●	●	●

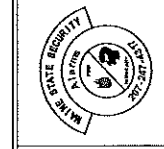
GENERAL NOTES:

- THESE DRAWINGS ARE DIAGRAMMATIC. REFER TO THE ARCHITECTURAL DRAWINGS FOR EXACT DIMENSIONS.
- INSTALLATION SHALL COMPLY WITH NEC, NFPA 72 AND NFPA 101 ALL OTHER APPLICABLE CODES AS REQUIRED BY THE LOCAL AUTHORITY HAVING JURISDICTION.
- WIRING DEPICTED ON THESE PLANS IS SCHEMATIC - ACTUAL WIRE LOCATIONS MAY DIFFER FROM THESE PLANS. WORK SHALL BE PERFORMED AS ACTUAL BUILDING CONSTRUCTION CONDITIONS ALLOW AND TO MINIMIZE PENETRATIONS THROUGH AREA SEPARATION WALLS AND FIRE WALLS. THE USE OF A RACEWAY IS PERMITTED AS LONG AS NO 110V OR HIGHER VOLTAGE CABLES ARE IN THE SAME RACEWAY.
- FIRE RATINGS SHALL BE MAINTAINED FOR ALL PENETRATIONS THROUGH FIRE-RATED CONSTRUCTION.
- POWER FOR ALL FIRE ALARM PANELS AND FIRE ALARM POWER SUPPLIES MUST BE PROVIDED BY A DEDICATED AC BRANCH CIRCUIT.
- POWER-LIMITED AND NONPOWER-LIMITED CIRCUIT WIRING MUST REMAIN SEPARATED IN CABINET. ALL POWER-LIMITED CIRCUIT WIRING MUST REMAIN AT LEAST 0.25" AWAY FROM ANY NONPOWER-LIMITED CIRCUIT WIRING. FURTHERMORE, ALL POWER-LIMITED AND NONPOWER-LIMITED CIRCUIT WIRING MUST ENTER AND EXIT THE CABINET THROUGH DIFFERENT KNOCK OUTS AND/OR SEPARATE CONDUITS.
- WHEN UTILIZING CLASS "A" CIRCUITS, SEPARATE OUTGOING AND RETURN CONDUCTORS OF CLASS "A" CIRCUITS BY A MINIMUM OF 12" WHERE RUN VERTICALLY AND 48" WHERE RUN HORIZONTALLY.
- WHEN UTILIZING SHIELDED CABLE TE SHELD THROUGH AND INSULATE AT EACH JUNCTION BOX. INSULATE AND TAPE BACK AT END.
- ALL FIRE ALARM CABLING SHALL BE ACCEPTABLE TO THE FIRE ALARM EQUIPMENT MANUFACTURER FOR THE INTENDED PURPOSE.
- SMOKE DETECTORS SHALL NOT BE INSTALLED UNTIL AFTER CONSTRUCTION CLEAN-UP IS COMPLETED AND FINAL.
- LOCATE SMOKE DETECTORS A MINIMUM OF THREE (3) FEET FROM MECHANICAL DIFFUSERS. WALL-MOUNTED SMOKE DETECTORS SHALL BE LOCATED A MINIMUM OF 4" AND A MAXIMUM OF 12" FROM CEILING. CEILING-MOUNTED SMOKE DETECTORS SHALL BE MOUNTED ON CEILING AND NOT ON THE BOTTOMS OF BEAMS OR JOISTS.
- PROVIDE SYNCHRONIZATION OF ALL VISUAL NOTIFICATION APPLIANCE CIRCUITS. PROVIDE ALL REQUIRED SYNC MODULES. PROVIDE A MULTI-SYNC MODE SLAVE CONNECTION BETWEEN ALL SYNC MODULES.
- VERIFY ALL FIELD SELECTABLE AUDIBILITY SETTINGS OF NOTIFICATION APPLIANCES WITH FIRE ALARM CONTRACTOR.
- UPON COMPLETION OF THE FIRE ALARM SYSTEM INSTALLATION AND PROGRAMMING, THE INSTALLING CONTRACTOR SHALL PERFORM FINAL TESTING OF THE ENTIRE SYSTEM, PER ALL APPLICABLE CODES, AND SHALL COORDINATE AND PERFORM A FINAL FIRE ALARM SYSTEM INSPECTION.
- PROVIDE OFF-SITE MONITORING AS REQUIRED BY THE INTERNATIONAL FIRE CODE, SECTION 907.15 AND THE LOCAL AUTHORITY HAVING JURISDICTION.
- INSTALLING CONTRACTOR SHALL PHYSICALLY LABEL ALL INITIATING DEVICES AND NOTIFICATION APPLIANCE CIRCUIT END OF LINE (WHEN WIRING CLASS "B") THESE LABELS SHALL BE IN PLACE PRIOR TO START-UP AND TESTING.

SYMBOL	DESCRIPTION	MOUNTING
[FACP]	FIRE ALARM CONTROL PANEL	KILL-TOP @ 60"
[P]	FIRE ALARM POWER SUPPLY	FIELD VERIFY
[A]	FIRE SYSTEM ANNUNCIATOR	KILL-TOP @ 66"
[SD]	FIRE/SMOKE DAMPER	BY OTHERS
[SD]	SMOKE DETECTOR	CEILING
[SD]	DUCT SMOKE DETECTOR	BY OTHERS
[H]	HEAT DETECTOR	CEILING
[K]	KEY BOX/KNOX BOX	FIELD VERIFY
[M]	ADDRESSABLE MONITOR MODULE	FIELD VERIFY
[M]	MANUAL PULL STATION	KILL @ 45"
[R]	CONTROL RELAY (WATH-VOLTAGE)	FIELD VERIFY
[M]	ADDRESSABLE RELAY MODULE	FIELD VERIFY
[M]	MAGNETIC DOOR HOLDER	FIELD VERIFY
[W]	WATER FLOW SWITCH	BY OTHERS
[V]	VALVE TAPPER SWITCH	BY OTHERS
[B]	BELL	BY OTHERS
[S]	CEILING MOUNT STROBE	FIELD VERIFY
[S]	CEILING MOUNT HORN / STROBE	FIELD VERIFY
[S]	CEILING MOUNT SPEAKER / STROBE	FIELD VERIFY
[H]	HORN	KILL @ 10'-0"
[H]	HORN / STROBE	KILL 80"-96"
[S]	SPEAKER / STROBE	KILL 80"-96"
[S]	SPEAKER	KILL @ 90"
[S]	STROBE	KILL 80"-96"

ABBREVIATION	DESCRIPTION
E	EXISTING
G	WITH GUARD
P	PERMANENT MOUNT
R	RESIDENTIAL (110V)
S	SOUNDER BASE
W	WEATHER PROOF
EX	END OF LINE RESISTOR
ELDR	END OF LINE DELAY
AWG	AMERICAN WIRE GAUGE
TWP	TESTED PULL
TWSP	TESTED SHIELDED PULL
FLP	FIRE POWER LIMITED PLENUM
FLR	FIRE POWER LIMITED REEF

MAINE STATE SECURITY ALARMS
Phone: (207) 247-4371
Toll Free: (800) 273-4371
Small Enough to Care - Large Enough to Serve
Family owned and operated and a division of L'Esperance, Inc.



119 Sherman Street Apartments
119 Sherman Street
Portland, ME 04101
FIRE ALARM PLAN

DATE	DESCRIPTION
12/21/2012	ISSUED FOR REVIEW & APPROVAL
2/22/2012	REVISION FOR CLIENT REVIEW

SCALE: 1/8"=1'-0"
FA-1