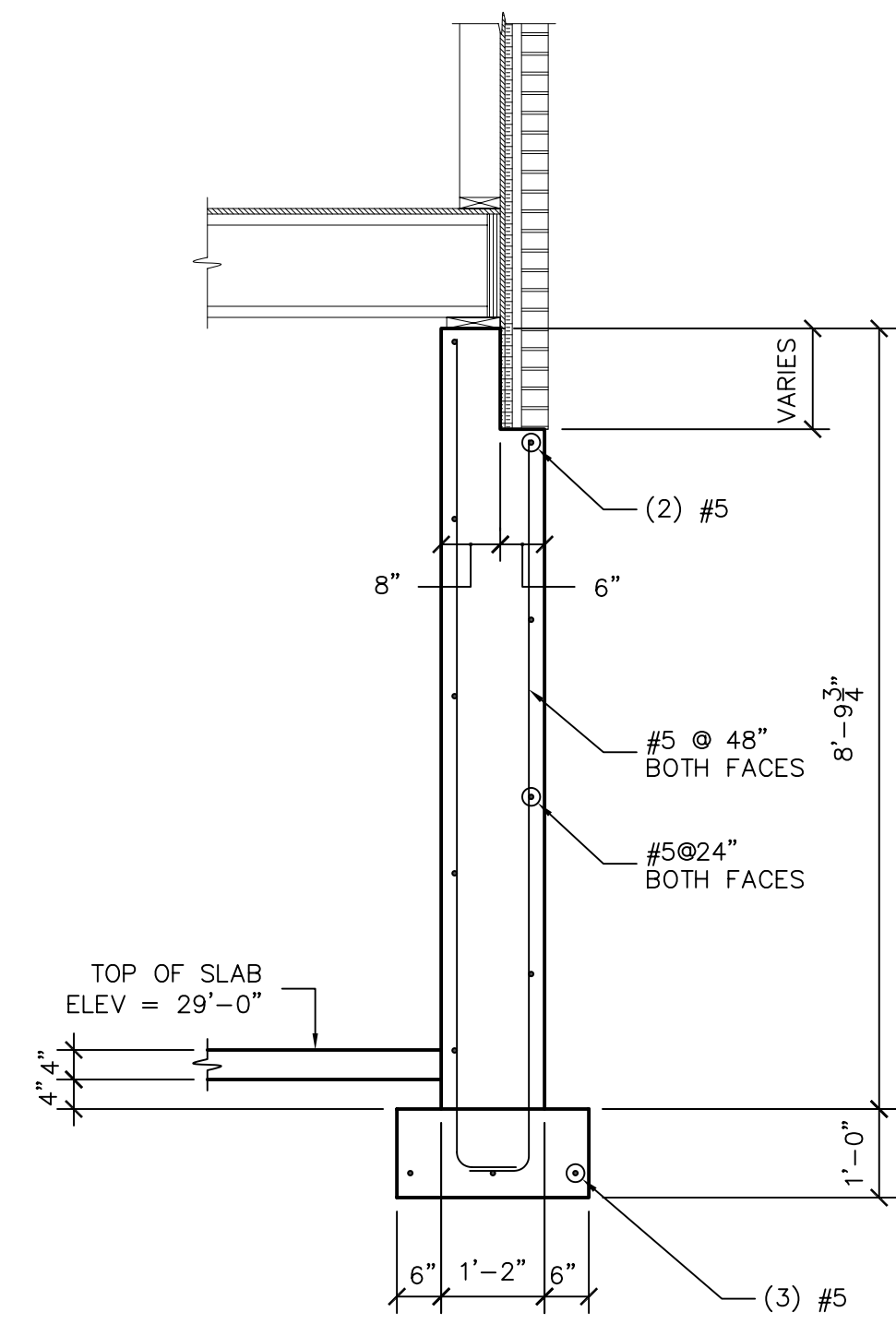
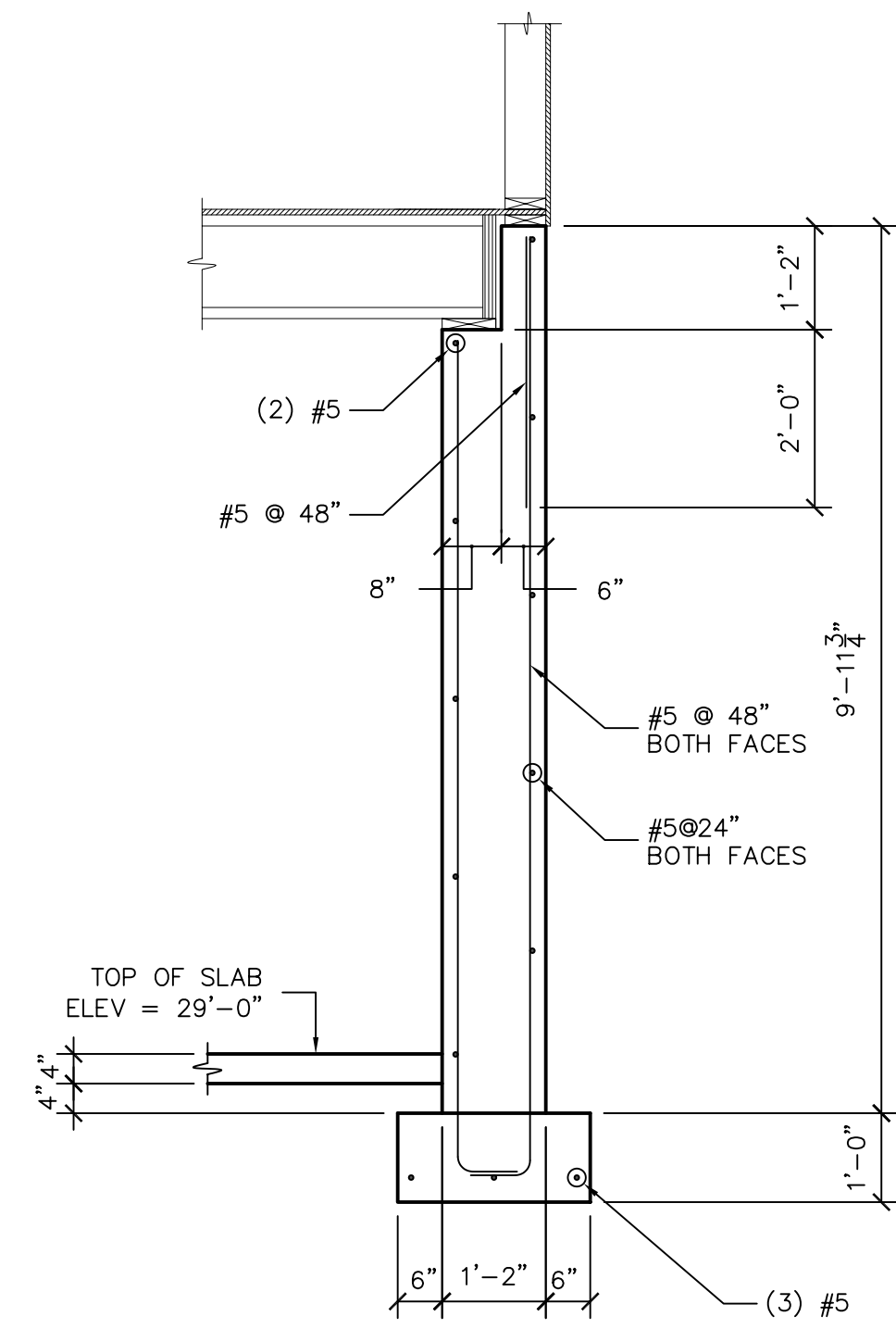


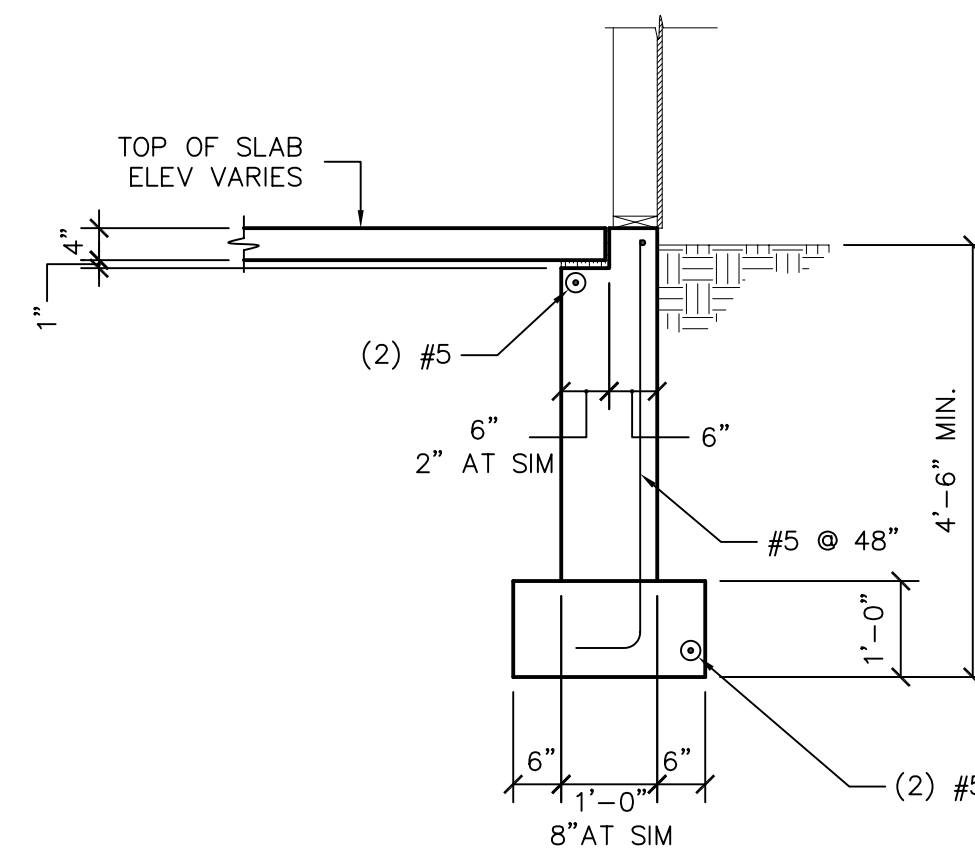
T:\00_TFH\Projects\PP\0114_Melin Grant\Send\Revised\SVC2010_Bld.dwg\ACAD\3D04\BUILDING\GAB-S6.dwg, Model, 2/27/2014 11:22:35 AM



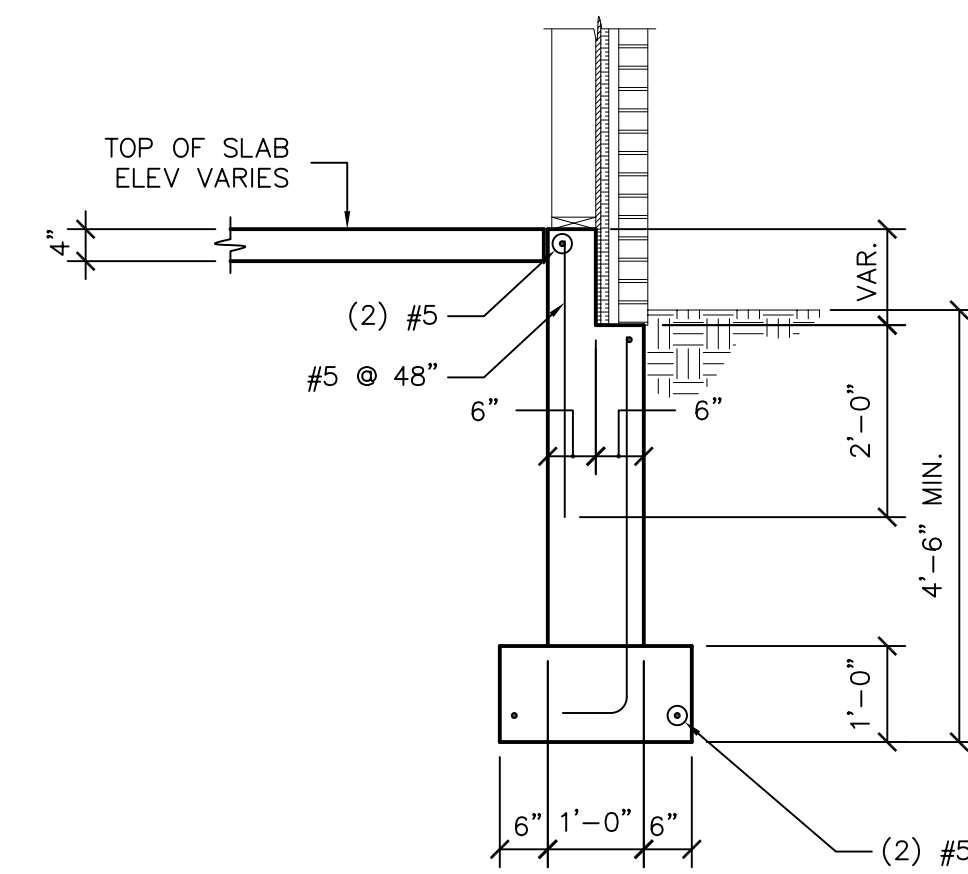
SECTION 1
1/2"=1'-0" S1.0-A



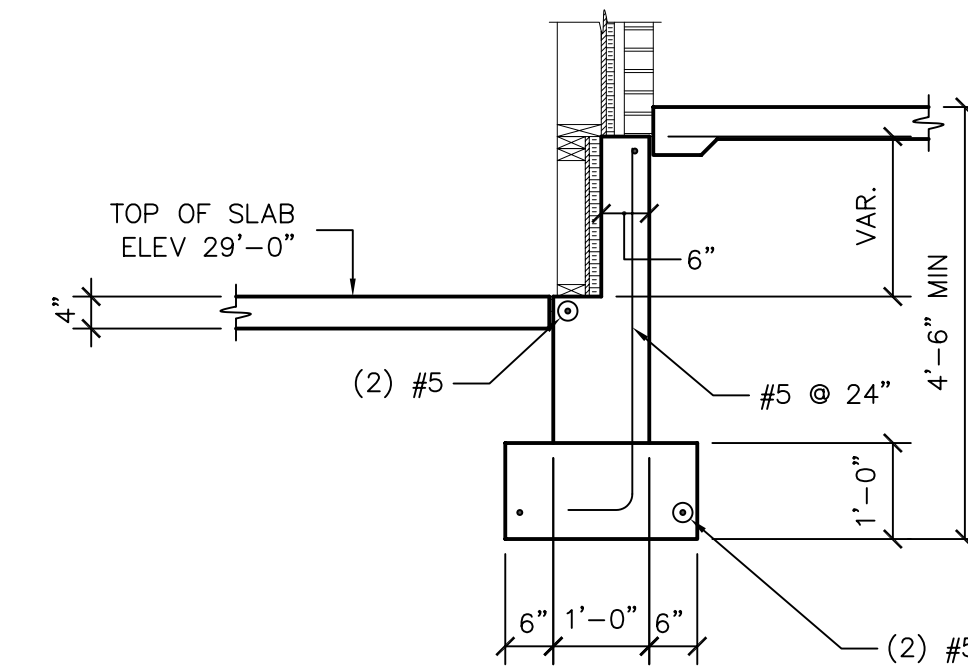
SECTION 2
1/2"=1'-0" S1.0-A



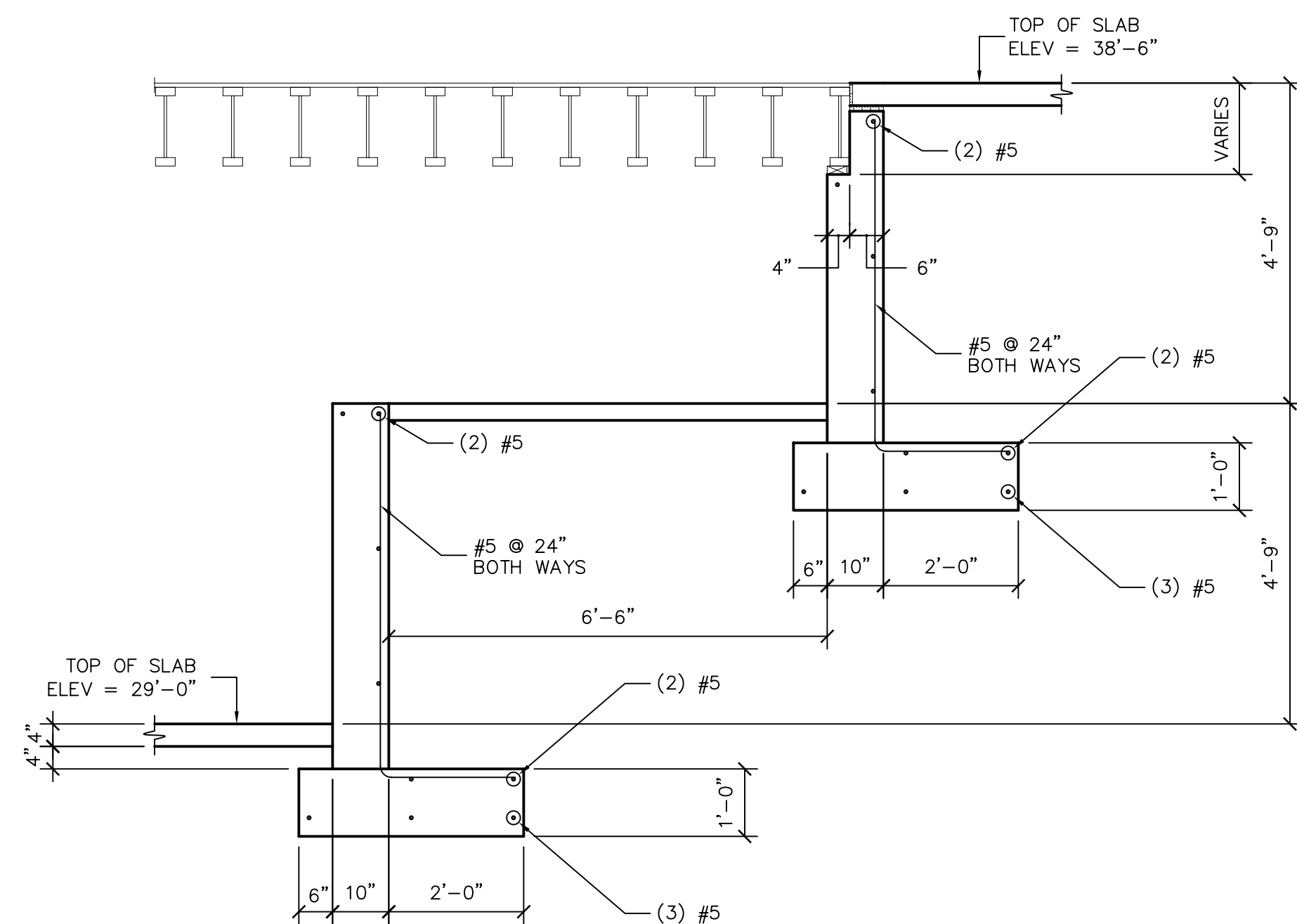
SECTION 3
1/2"=1'-0" S1.0-A
S1.0-B



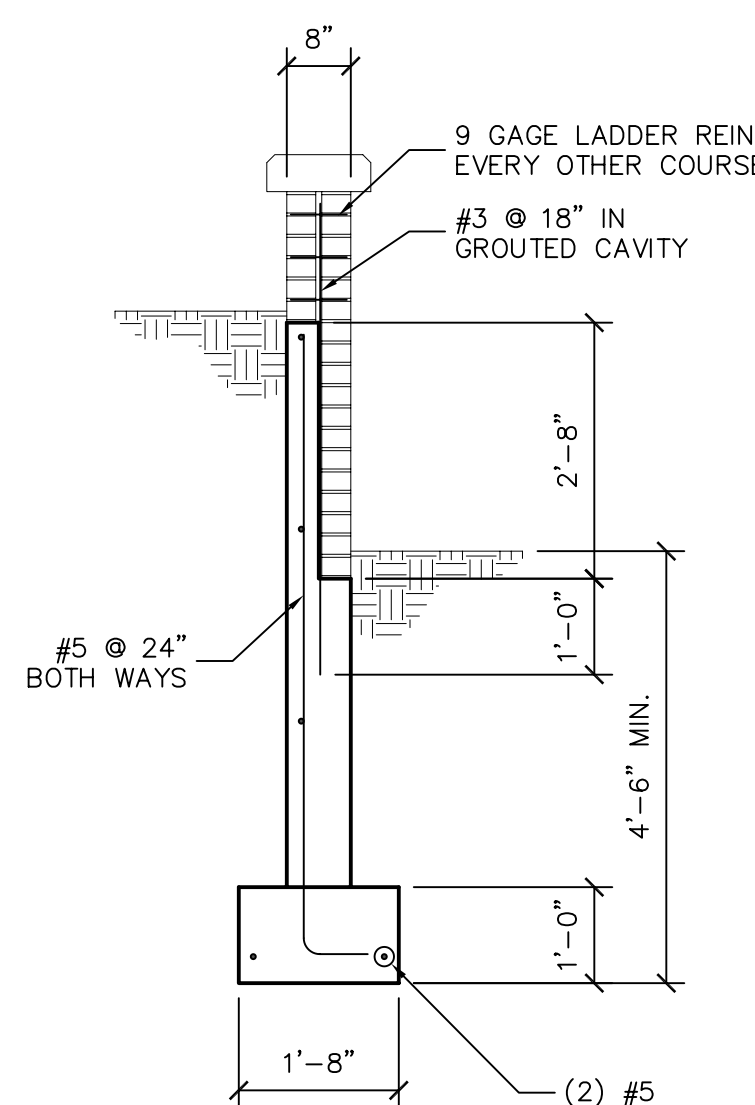
SECTION 4
1/2"=1'-0" S1.0-A



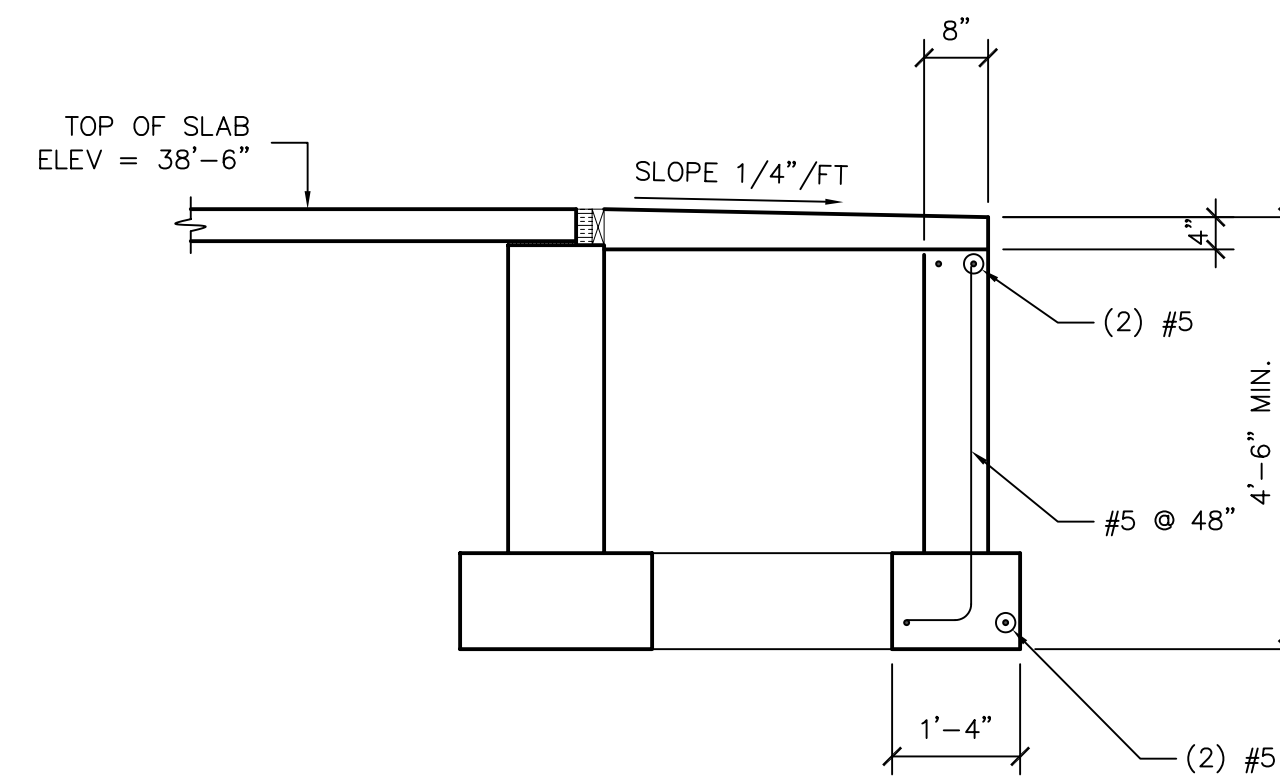
SECTION 5
1/2"=1'-0" S1.0-A



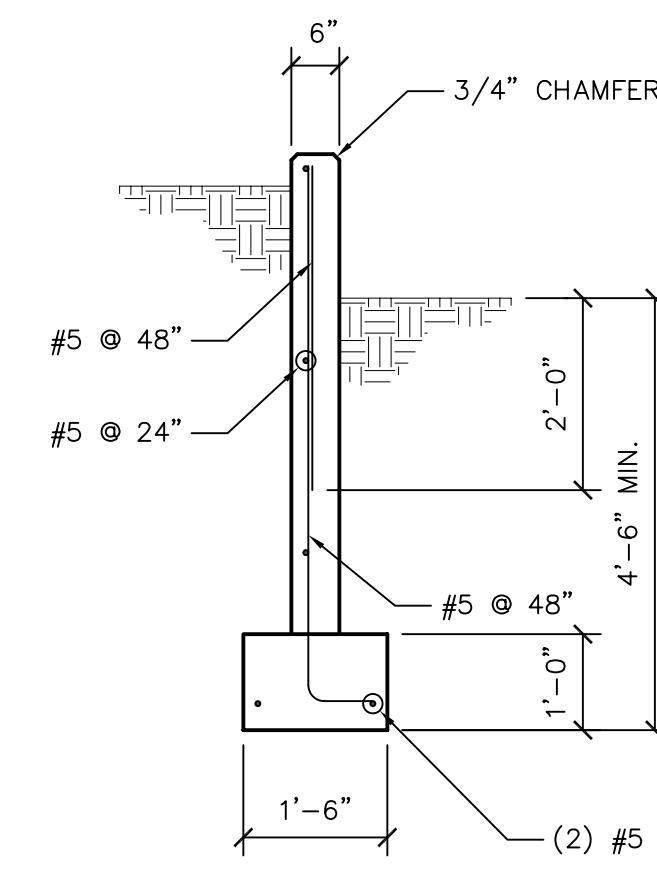
SECTION 6
1/2"=1'-0" S1.0-A



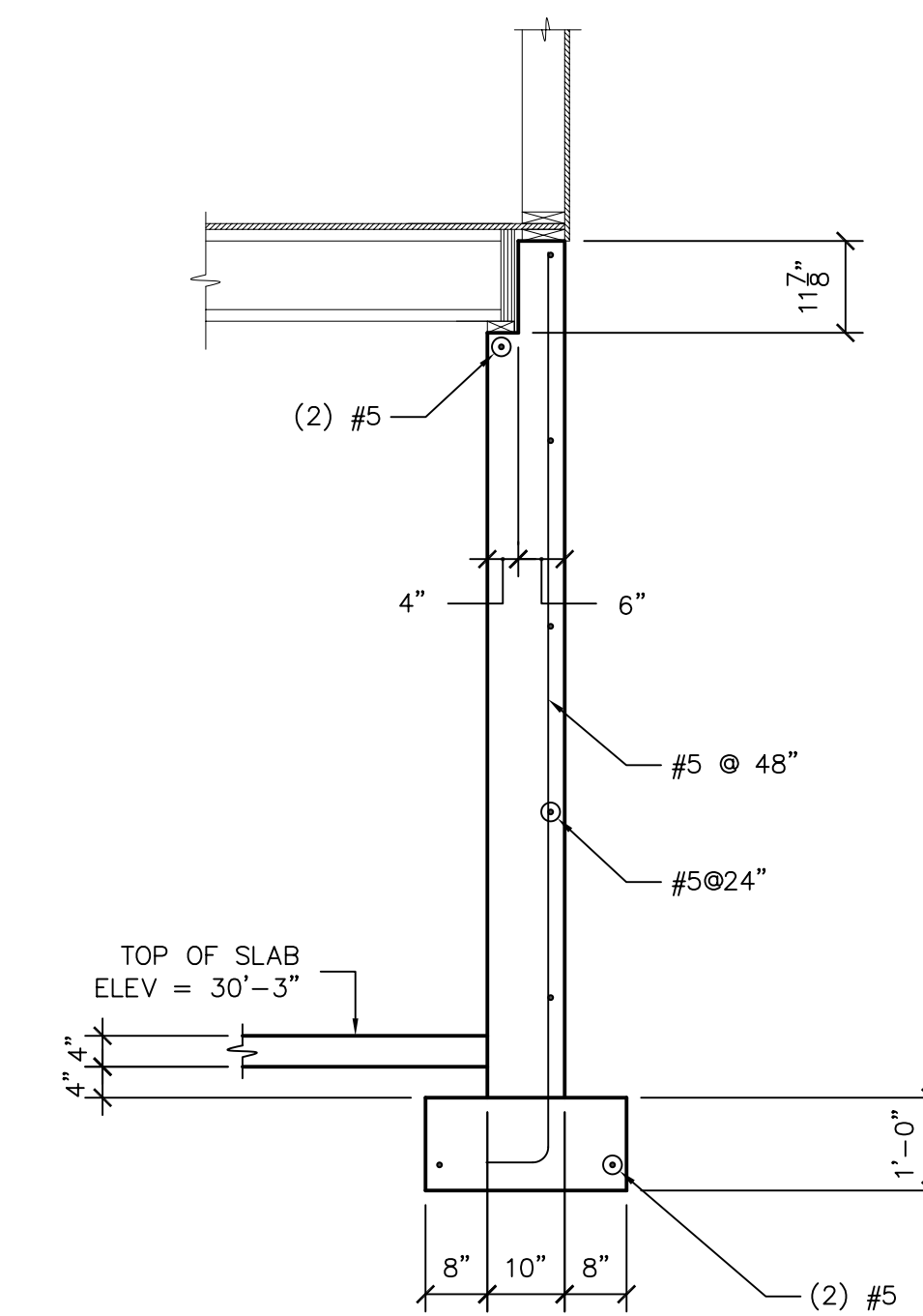
SECTION 9
1/2"=1'-0" S1.0-A



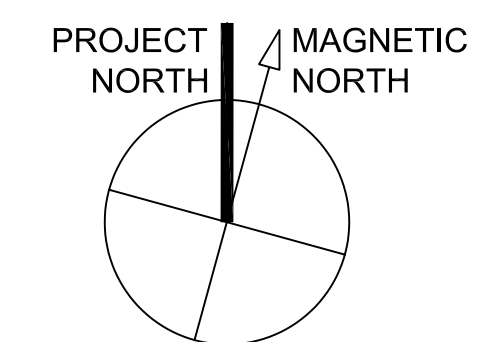
SECTION 7
1/2"=1'-0" S1.0-A
SEE SECTION 4 AND ARCH FOR
ADDITIONAL INFORMATION



SECTION 8
1/2"=1'-0" S1.0-A

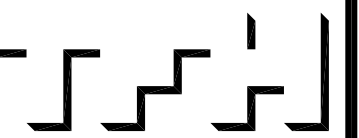


SECTION 10
1/2"=1'-0" S1.0-B



© TFH ARCHITECTS

GRANT & MELLEN SREET
PARKSIDE NEIGHBORHOOD CENTER & AFFORDABLE HOUSING
PEOPLE'S REGIONAL OPPORTUNITY PROGRAM
PORTLAND, MAINE



TFH ARCHITECTS
100 COMMERCIAL STREET
PORTLAND MAINE 04101
TELEPHONE 207 775 6141
ARCHITECTURE PLANNING

CONSULTANTS:

CIVIL:
Pirkham & Greer
175 US Route One
Falmouth, ME 04105
207-783-6242

STRUCTURAL:
Structural Design Consulting
Five Baskin Lane
Falmouth, ME 04105-2448
207-878-8030

MECHANICAL:
Whitney Engineering
10 Danforth Place
Portland, ME 04102
207-833-2921

ELECTRICAL:
Bennett Engineering
7 Bennett Road
Freeport, ME 04032
207-865-9475

REVISIONS:

DATE: 01/29/04

PROJECT No. 0114

DRAWN BY: DJT

CHECKED BY: DJT

SCALE: AS NOTED

SHEET TITLE:

FOUNDATION
SECTIONS

BUILDING A/B

S6.0