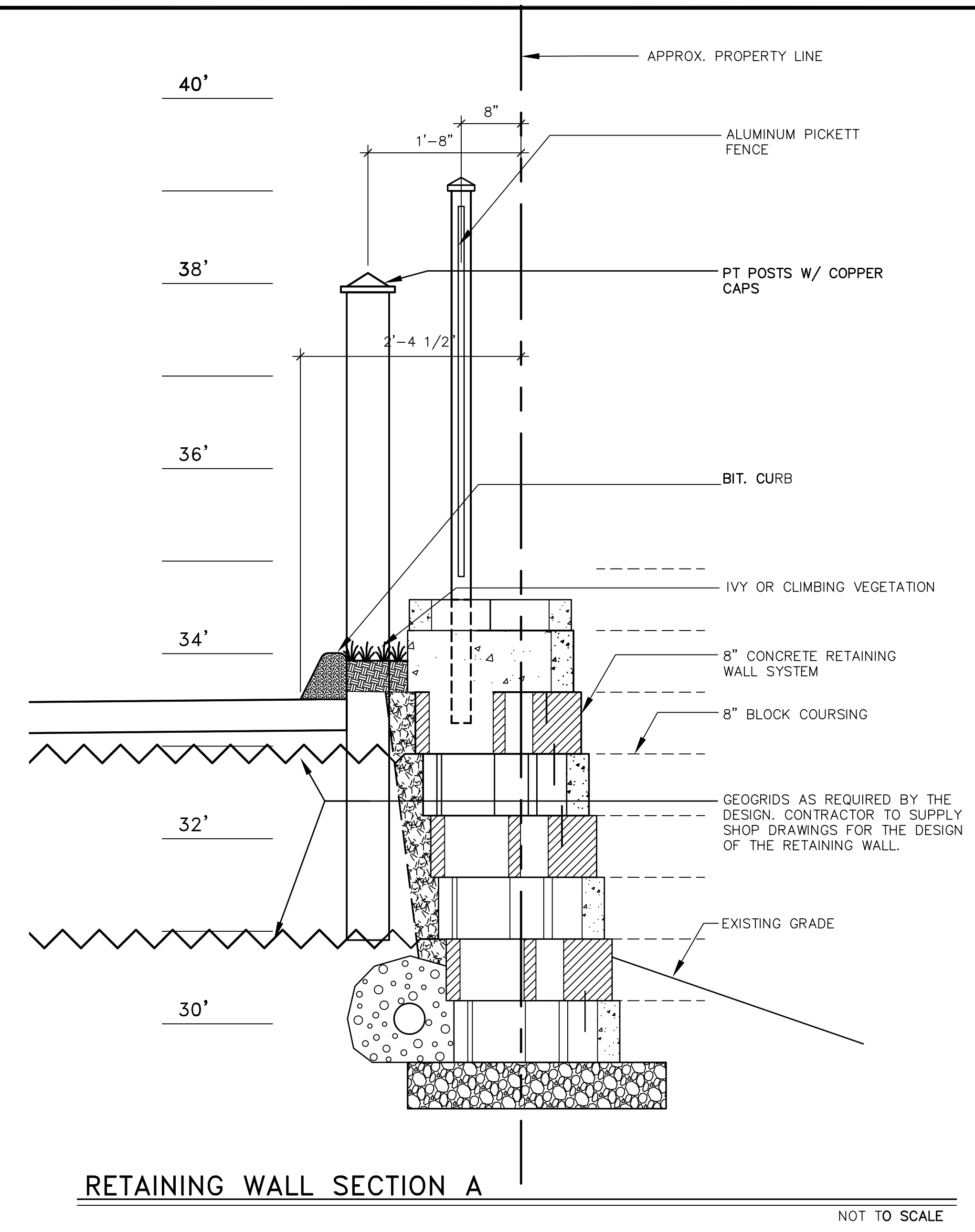
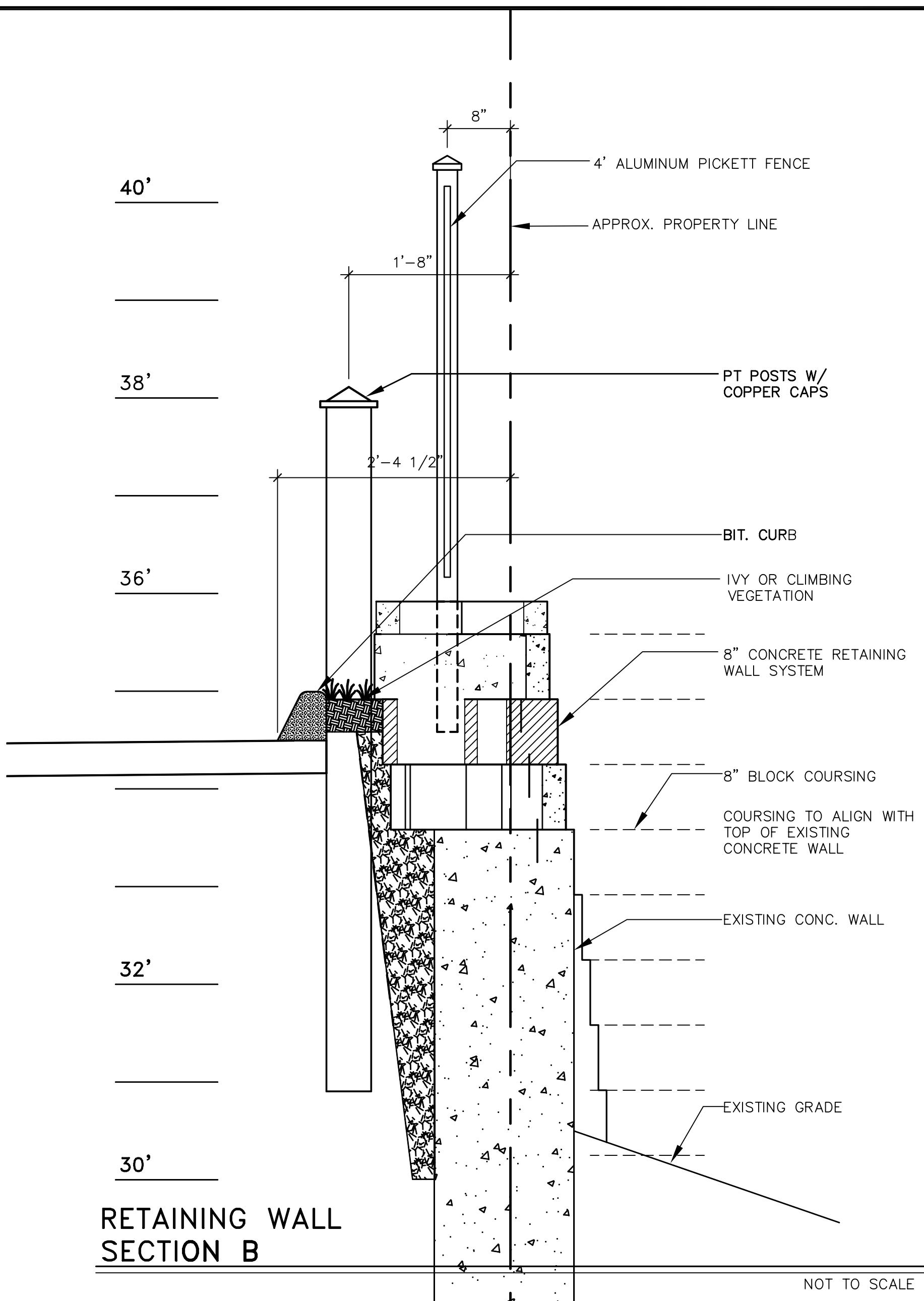
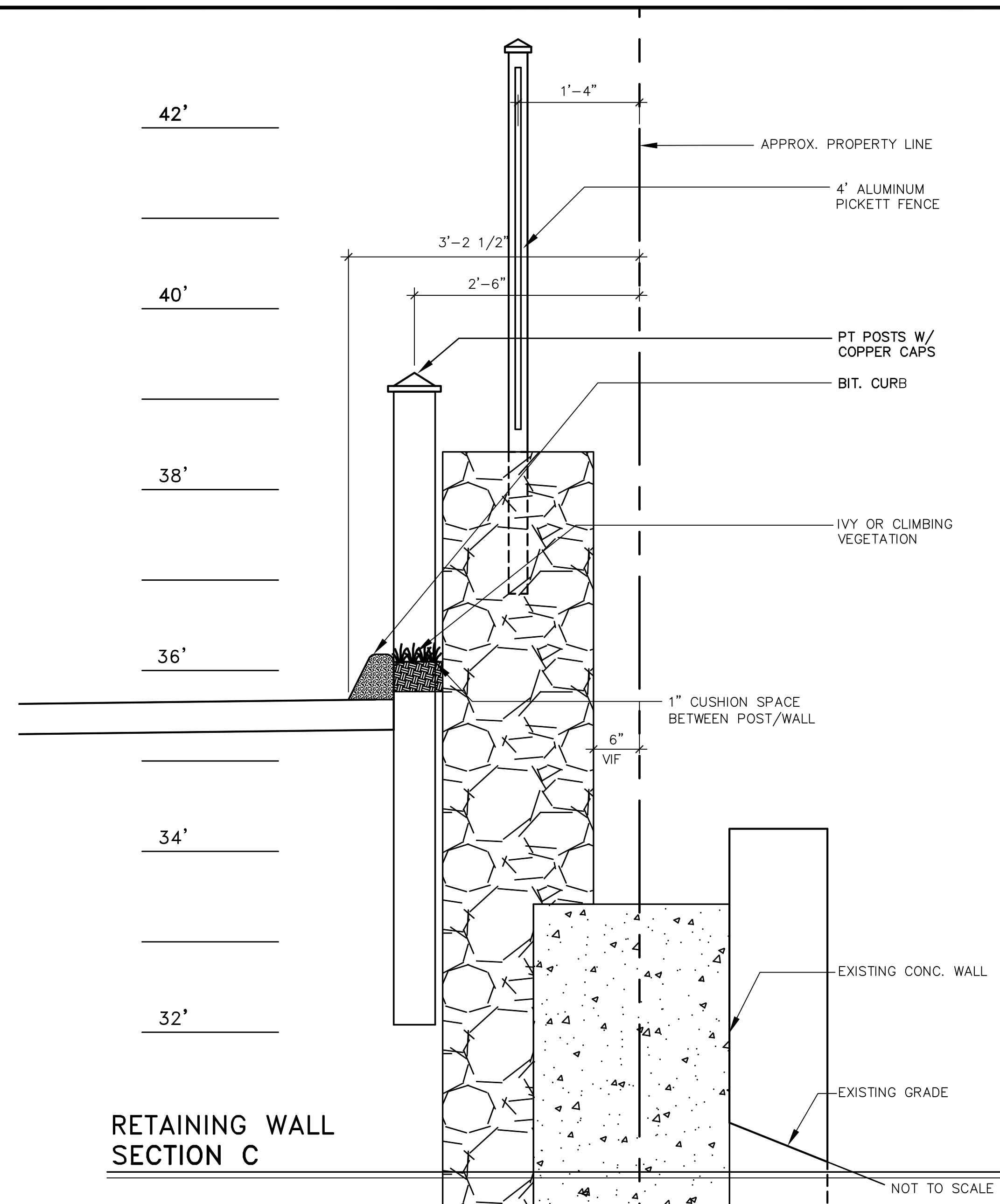
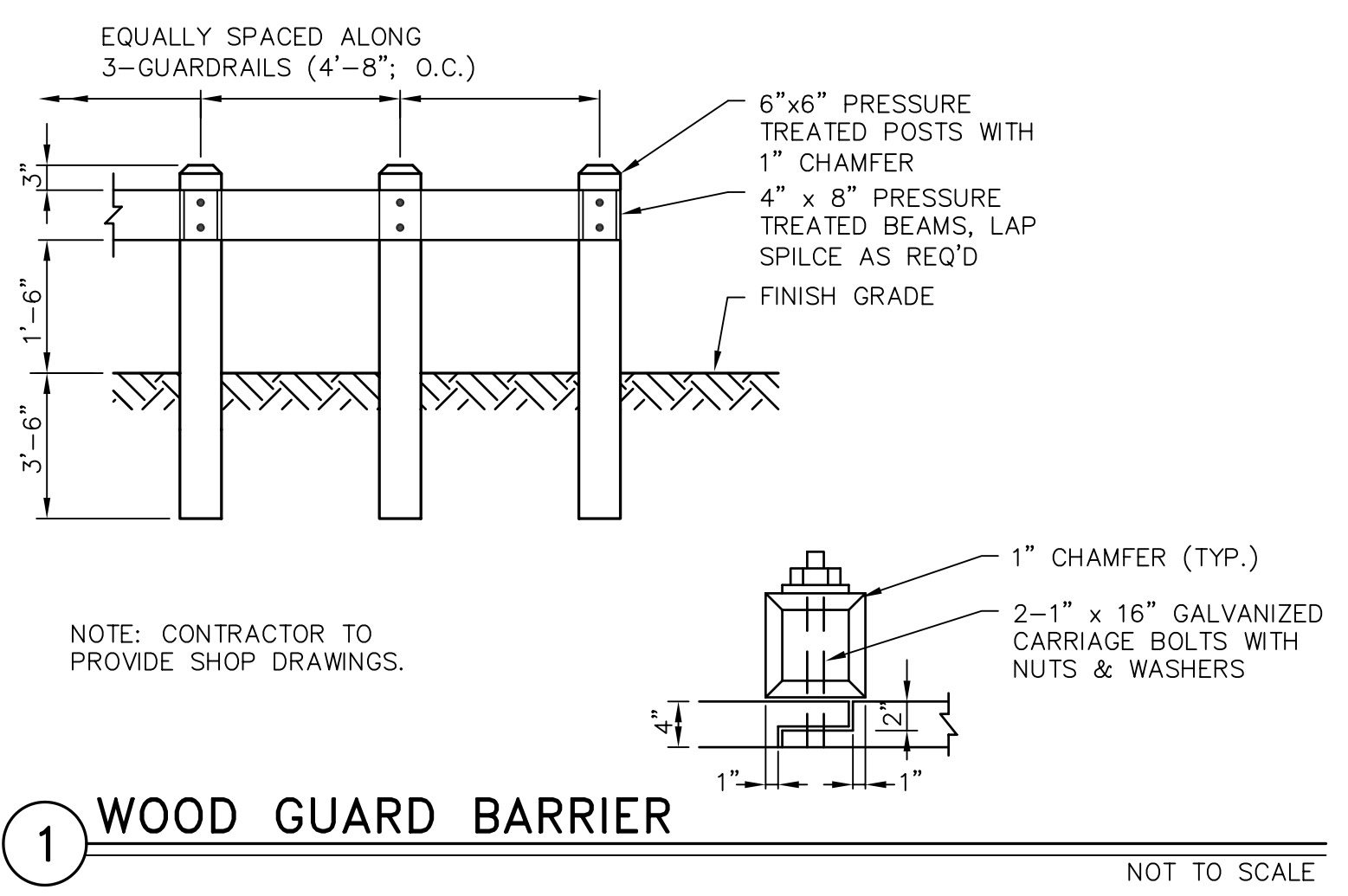


T:\02_TFH Projects\PROJ0101_Melvin Grant\Site\Revise\Revise\027010104-HASEE.DWG, C:\DETAILED, 2/27/2004 11:50:07 AM



2 UNDERDRAIN DETAIL

1 WOOD GUARD BARRIER



THESE DRAWINGS ARE NOT FOR CONSTRUCTION. THE OWNER IS TO OBTAIN EASEMENTS.

REV.	DATE	DESCRIPTION

PEOPLES REGIONAL OPPORTUNITY PROGRAM
510 CUMBERLAND AVE. PORTLAND ME
GRANT STREET
GRANT STREET, PORTLAND

PINKHAM & GREER

CONSULTING ENGINEERS, INC.
FALMOUTH, MAINE

DETAILS

SCALE: AS SHOWN	DRN BY: JDC
DATE: JAN, 30, 2004	DESIGN BY: TSG
PROJECT: 01404	CHK BY: TSG

CAD FILE: 01404
FILE SCALE: 1"=10'
PLOT DATE: