

T:\00_PFD\Projects\A7.1_Mellen_GrandDrawings\Schedules\01_H_A7.1_Schedules\B.DWG - 2/27/2014 1:04:08

DOOR SCHEDULE - BUILDING A

Table with columns: DOOR NO., DOOR TYPE, SIZE, FRAME, DETAILS, GENERAL. Lists door specifications for Building A, including door type, size, frame material, and general notes.

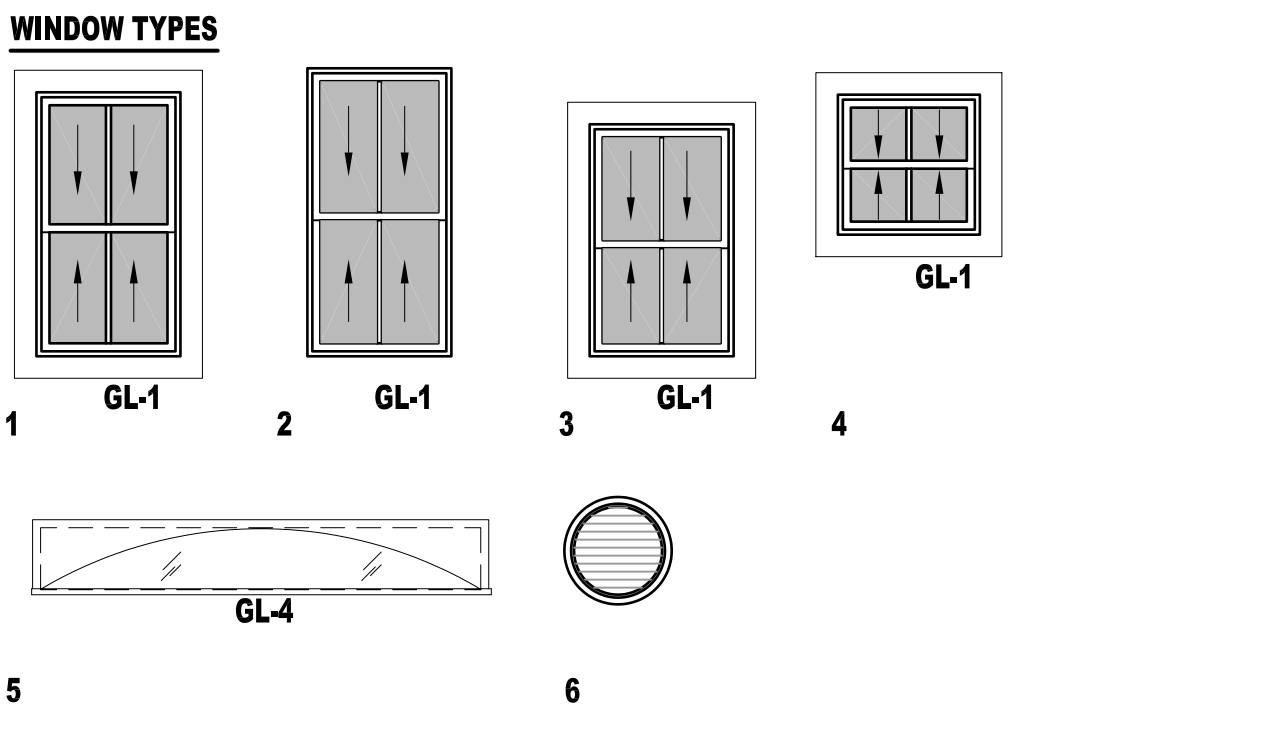
Table with columns: DOOR NO., DOOR TYPE, SIZE, FRAME, DETAILS, GENERAL. Lists door specifications for Building A (continued), including door type, size, frame material, and general notes.

DOOR SCHEDULE - BUILDING B

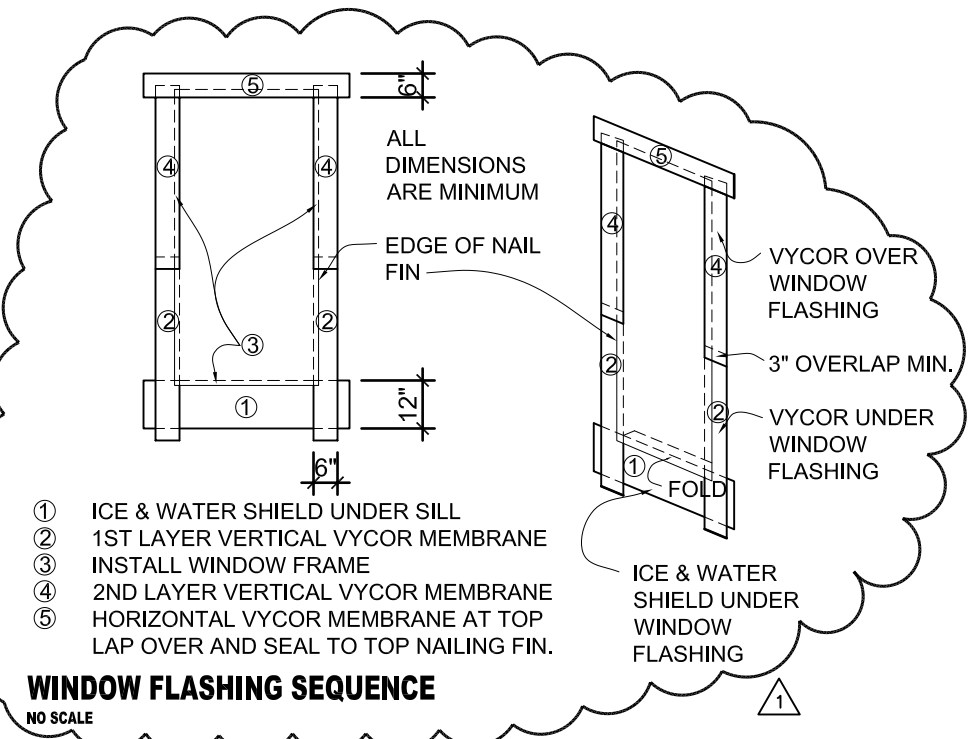
Table with columns: DOOR NO., DOOR TYPE, SIZE, FRAME, DETAILS, GENERAL. Lists door specifications for Building B, including door type, size, frame material, and general notes.

Table with columns: DOOR NO., DOOR TYPE, SIZE, FRAME, DETAILS, GENERAL. Lists door specifications for Building B (continued), including door type, size, frame material, and general notes.

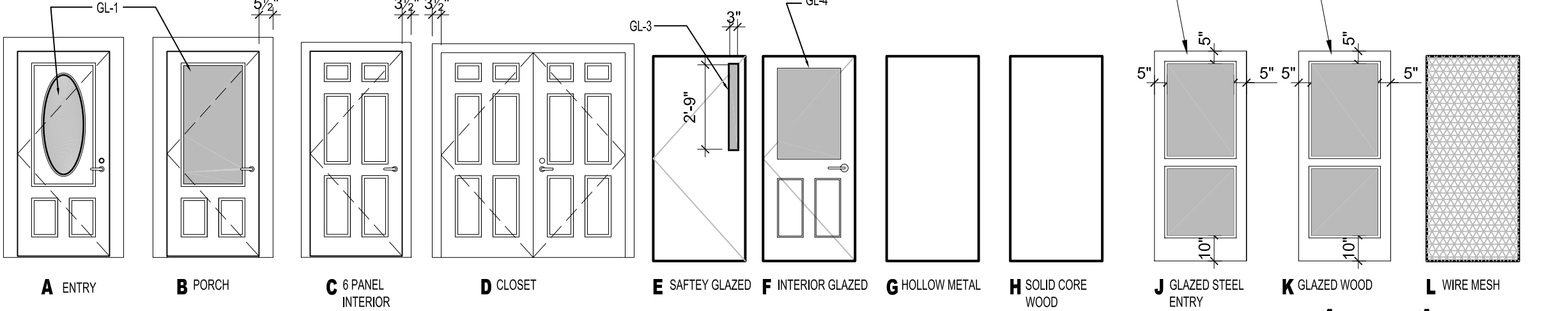
WINDOW SCHEDULE table with columns: KEY, ACTION, ROUGH OPENING (WxH) VIF, HEIGHT, DETAILS, MATERIAL, FINISH, REMARKS. Lists window specifications and notes.



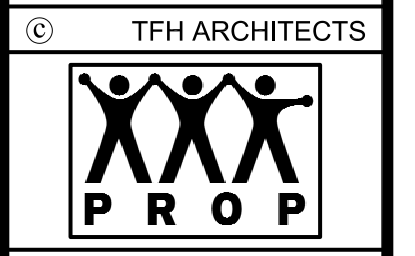
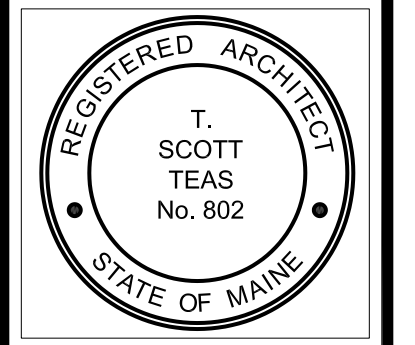
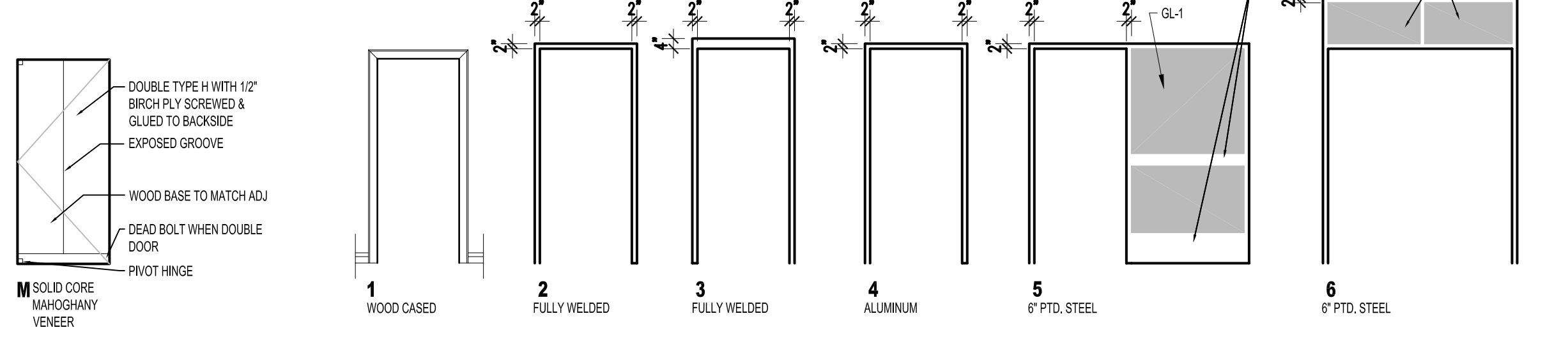
GLAZING SCHEDULE table with columns: KEY, GLAZING TYPE. Lists glazing types and their descriptions.



DOOR TYPES



FRAME TYPES



GRANT & MELLEN SREET
PARKSIDE NEIGHBORHOOD CENTER & AFFORDABLE HOUSING
PEOPLE'S REGIONAL OPPORTUNITY PROGRAM
PORTLAND, MAINE

TFH ARCHITECTS
100 COMMERCIAL STREET
PORTLAND MAINE 04101
TELEPHONE 207 775 6141
ARCHITECTURE PLANNING

CONSULTANTS:
CIVIL: Pritham & Green
STRUCTURAL: Structural Design Consulting
MECHANICAL: Whitney Engineering
ELECTRICAL: Bennett Engineering

REVISIONS:
2/10/14 - GENERAL REVISIONS

DATE: 01/29/04
PROJECT No. 0114
DRAWN BY: DAMISA
CHECKED BY: TST

SCALE: AS NOTED
SHEET TITLE: DOOR, WINDOW SCHEDULES

BUILDING A/B
A7.1