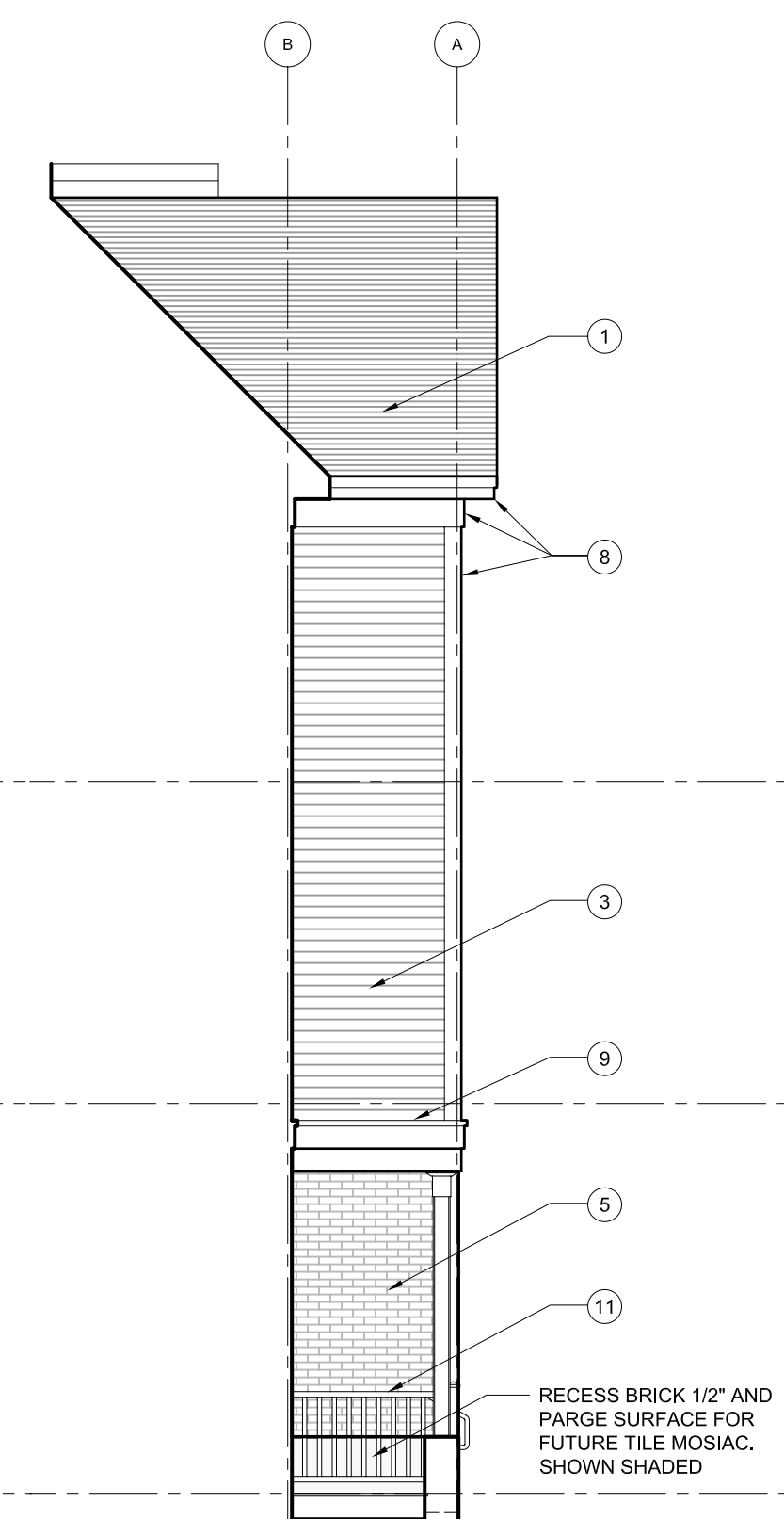


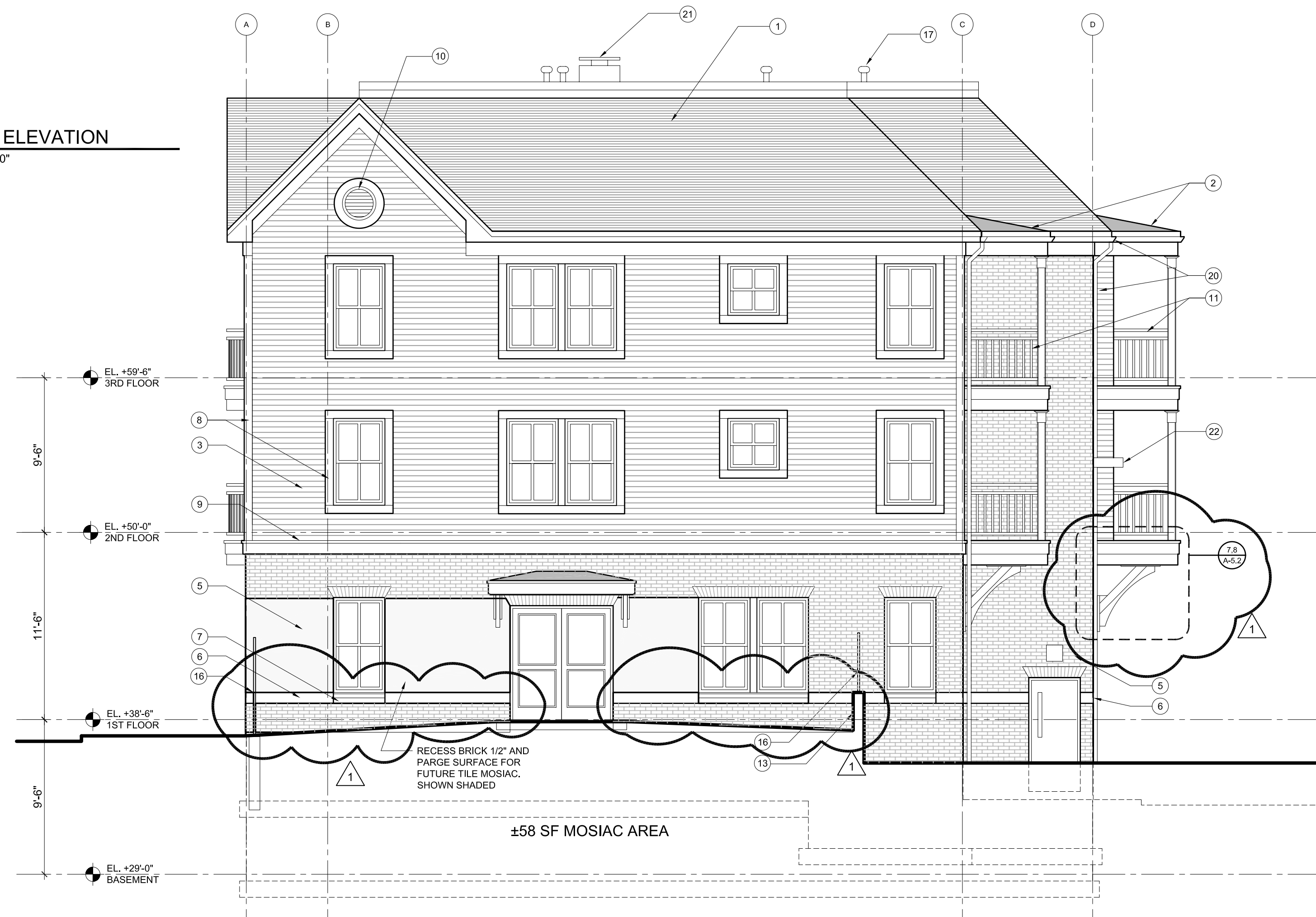
1 SOUTH ELEVATION
3/16" = 1'-0"



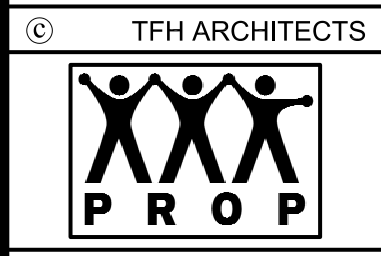
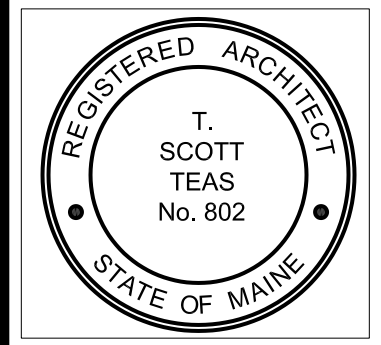
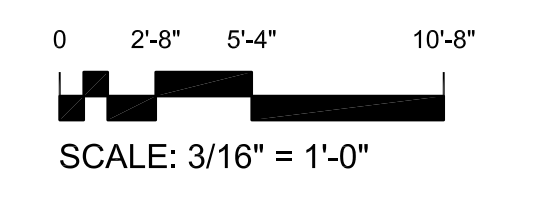
3 HIDDEN WEST ELEVATION (OPP. SIM.)
3/16" = 1'-0"



2 EAST ELEVATION
3/16" = 1'-0"



- LEGEND:**
- 1 ASPHALT SHINGLES, TYP.
 - 2 ICE AND WATER SHIELD COVERED BY ASPHALT SHINGLES
 - 3 VINYL CLAPBOARD SIDING
 - 4 CEMENT CLAPBOARD SIDING
 - 5 BRICK VENEER
 - 6 CONCRETE BLOCK BELT COURSE, TYP.
 - 7 CONCRETE BLOCK SILL, TYP.
 - 8 PVC TRIM, TYP.
 - 9 PVC WATERTABLE / BELT TRIM, TYP.
 - 10 GABLE VENT
 - 11 VINYL RAILING SYSTEM, TYP.
 - 12 GRANITE STEPS
 - 13 MASONRY WALL
 - 14 GRANITE CAP
 - 15 PRECAST CONCRETE CAP
 - 16 IRON SECURITY FENCE
 - 17 ROOF VENT, S.M.D.
 - 18 ELECTRICAL METERS
 - 19 MECHANICAL LOUVER / VENT
 - 20 GUTTER AND DOWNSPOUT, SEE ROOF PLAN FOR LOCATION
 - 21 BOILER FLUE, SEE ROOF PLAN FOR LOCATION
 - 22 EXTERIOR LIGHT FIXTURE, S.E.D.
 - 23 GAS METER, S.M.D.



GRANT & MILLEN SREET
PARKSIDE NEIGHBORHOOD CENTER & AFFORDABLE HOUSING
PEOPLE'S REGIONAL OPPORTUNITY PROGRAM
PORTLAND, MAINE

TFH ARCHITECTS
100 COMMERCIAL STREET
PORTLAND MAINE 04101
TELEPHONE 207 775 6141
ARCHITECTURE PLANNING

CONSULTANTS:

CIVIL:
Prisham & Greer
175 US Route One
Farmton, ME 04105
207-781-0242

STRUCTURAL:
Structural Design Consulting
Five Baskin Lane
Farmton, ME 04105-2448
207-781-8030

MECHANICAL:
Whitney Engineering
10 Danforth Place
Portland, ME 04102
207-433-2921

ELECTRICAL:
Bennett Engineering
7 Barwell Road
Freeport, ME 04032
207-865-0475

REVISIONS:

△

DATE: 01/29/04
PROJECT No. 0114
DRAWN BY: DAM/SA
CHECKED BY: TST
SCALE: AS NOTED

SHEET TITLE:
SOUTH AND EAST
ELEVATION

BUILDING A
A2.0

T:\00_TFH Projects\PROP0114_Mellen Grant\Drawings\Elev-0114_Elevations Bldg A&B.dwg, A2.0 BUILDING A, 2/27/2004, 9:11:24 AM