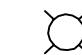
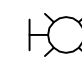



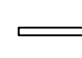

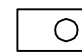
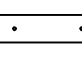

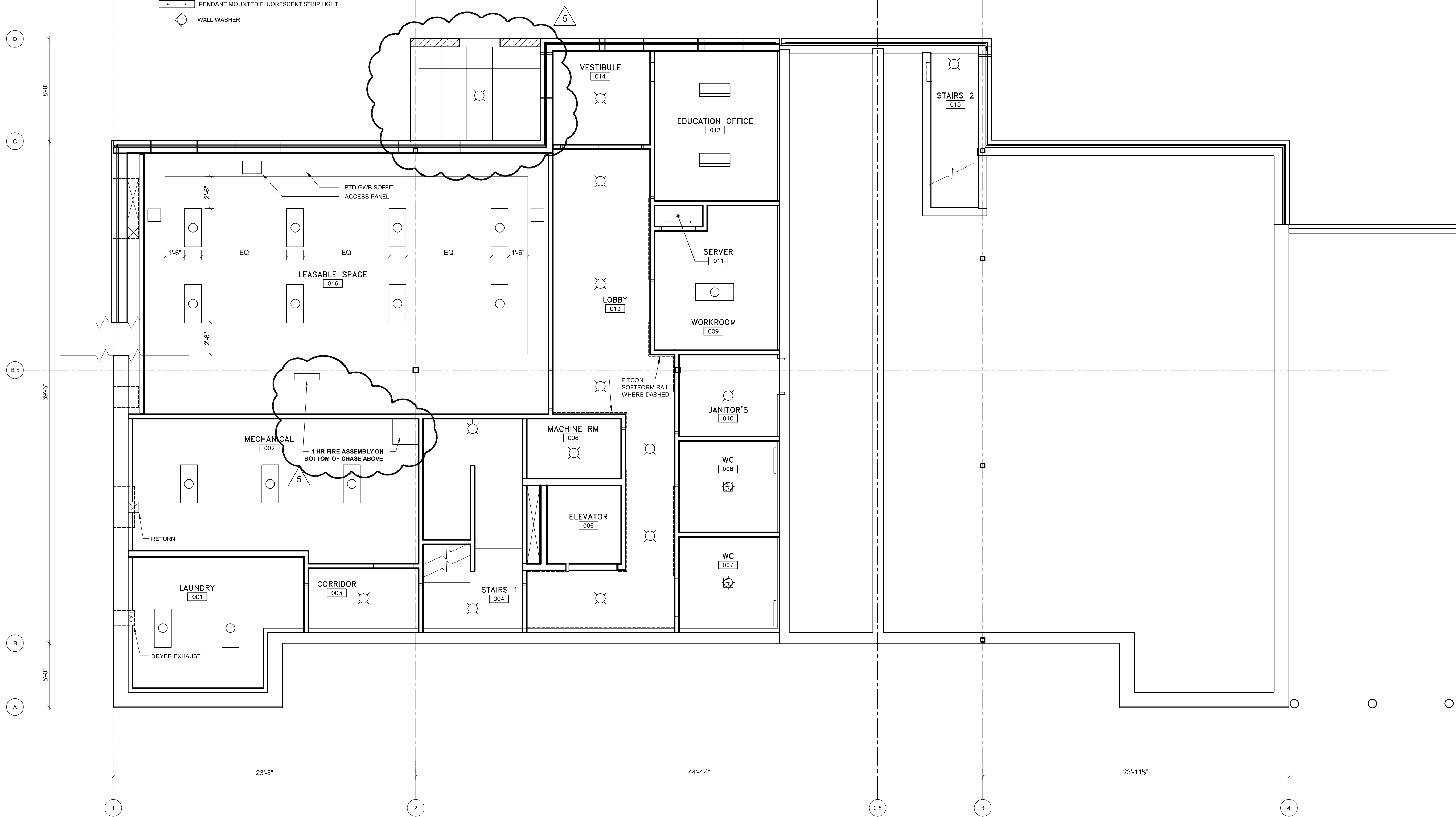


**LEGEND:**

-  CEILING MOUNTED LIGHT FIXTURE
-  WALL MOUNTED LIGHT FIXTURE
-  PENDANT MOUNTED LIGHT FIXTURE
-  FLUORESCENT DOWNLIGHT
-  EXHAUST FAN AND LIGHT FIXTURE
-  STRIP FLUORESCENT LIGHT FIXTURE
-  CEILING MOUNTED FLUORESCENT STRIP LIGHT
-  CEILING MOUNTED FLUORESCENT TROFFER
-  PENDANT MOUNTED FLUORESCENT STRIP LIGHT
-  WALL WASHER



**GRANT & MELLEN SREET**  
**PARKSIDE NEIGHBORHOOD CENTER & AFFORDABLE HOUSING**  
**PEOPLE'S REGIONAL OPPORTUNITY PROGRAM**  
**PORTLAND, MAINE**

**TFH ARCHITECTS**  
 100 COMMERCIAL STREET  
 PORTLAND MAINE 04101  
 TELEPHONE 207 775 6141  
 ARCHITECTURE PLANNING

**CONSULTANTS:**  
**CIVIL**  
 Pritchard & Greer  
 170 US Route One  
 Falmouth, ME 04105  
 207-781-5242  
**STRUCTURAL**  
 Structural Design Consulting  
 Five Balsam Lane  
 Falmouth, ME 04105-2448  
 207-478-0208  
**MECHANICAL**  
 Whitney Engineering  
 10 Deering Place  
 Portland, ME 04102  
 207-633-2921  
**ELECTRICAL**  
 Bennett Engineering  
 7 Bennett Road  
 Freeport, ME 04032  
 207-855-8475

**REVISIONS:**  
 2 GENERAL REVISIONS - 2/29/04  
 5 GENERAL REVISIONS - 5/30/04

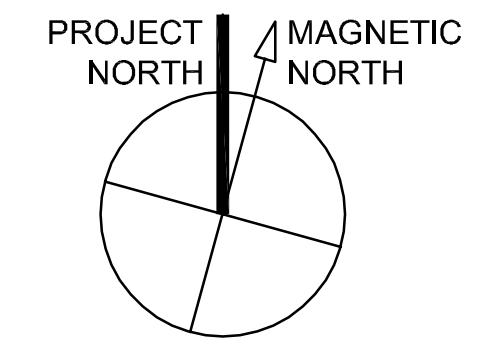
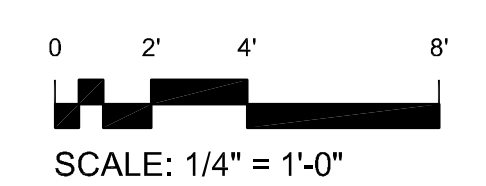
DATE: 01/29/04  
 PROJECT No. 0114  
 DRAWN BY: DAMISA  
 CHECKED BY: TST  
 SCALE: AS NOTED

SHEET TITLE:  
 BASEMENT  
 REFLECTED  
 CEILING PLAN

**BUILDING A**

**A1.5**

**1 BASEMENT REFLECTED CEILING PLAN BUILDING A**  
 1/4" = 1'-0"



T:\00\_TFH Projects\POP\0114\_Melien-Grant\Drawings\Plan\0114\_0\_BM\_Bldg\_A.DWG 2/29/04 REFLECTED CEILING PLAN 5/27/2004 12:02:32 PM