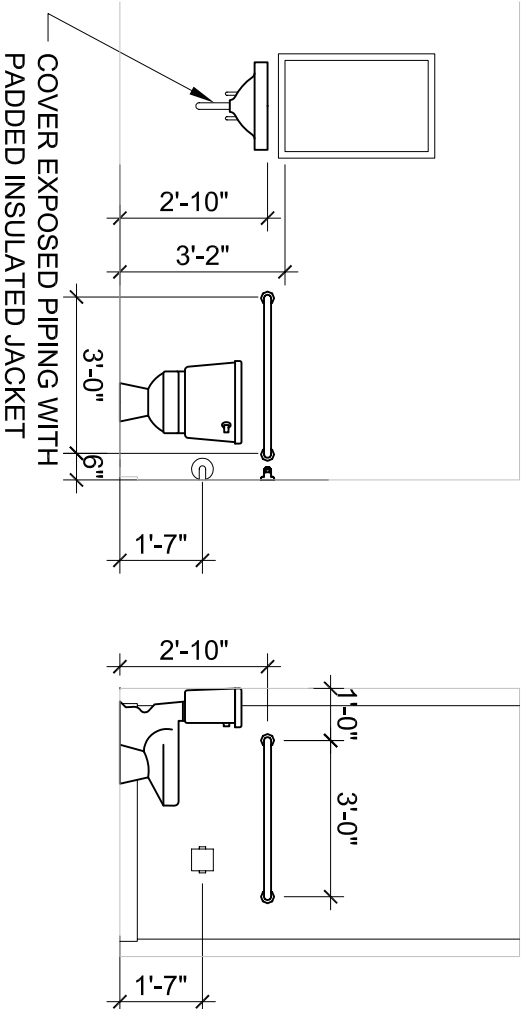


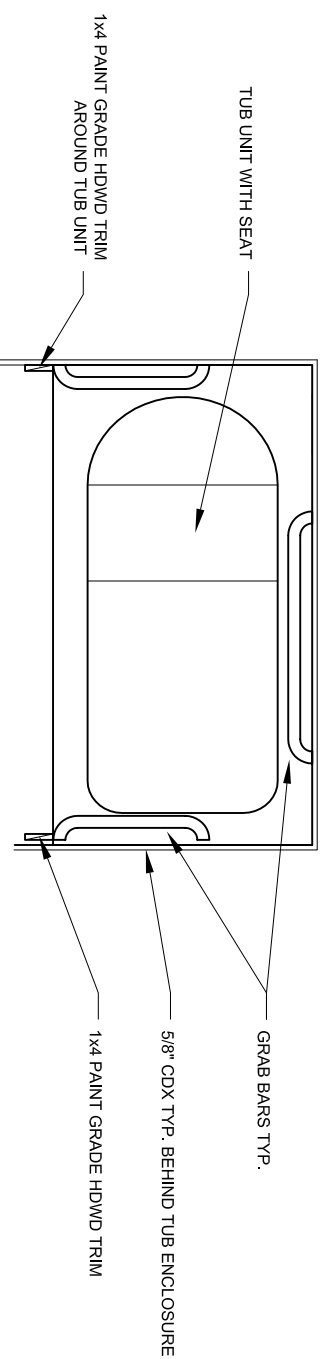
8

1/4" = 1'-0"
TYPICAL ACCESSIBLE UNIT MOUNTING HEIGHTS



9

1/2" = 1'-0"
TYPICAL ACCESSIBLE TUB UNIT MOUNTING HEIGHTS



SKA-8
PARTIAL A3.2
2/10/04

IN ACCESSIBLE KITCHENS BLDG. B ROOMS 104 & 109. -
GENERAL NOTE: KITCHEN SINK AND MINIMUM 36" OF COUNTER
IMMEDIATELY ADJACENT TO BE MOUNTED @ 34" AFF. THE AREA BELOW
THE SINK IS TO BE CLEAR AND COMPLY WITH ANSI 117.1. PROTECT PIPING
WITH REMOVABLE PANEL MATCHING FINISH OF ADJACENT CABINETS. THE
BOTTOM OF WALL MOUNTED CABINETS ARE TO BE MOUNTED AT 48" AFF.

1

