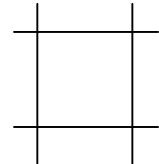

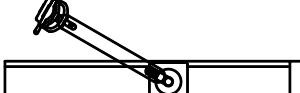
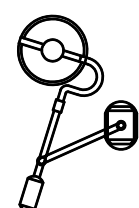
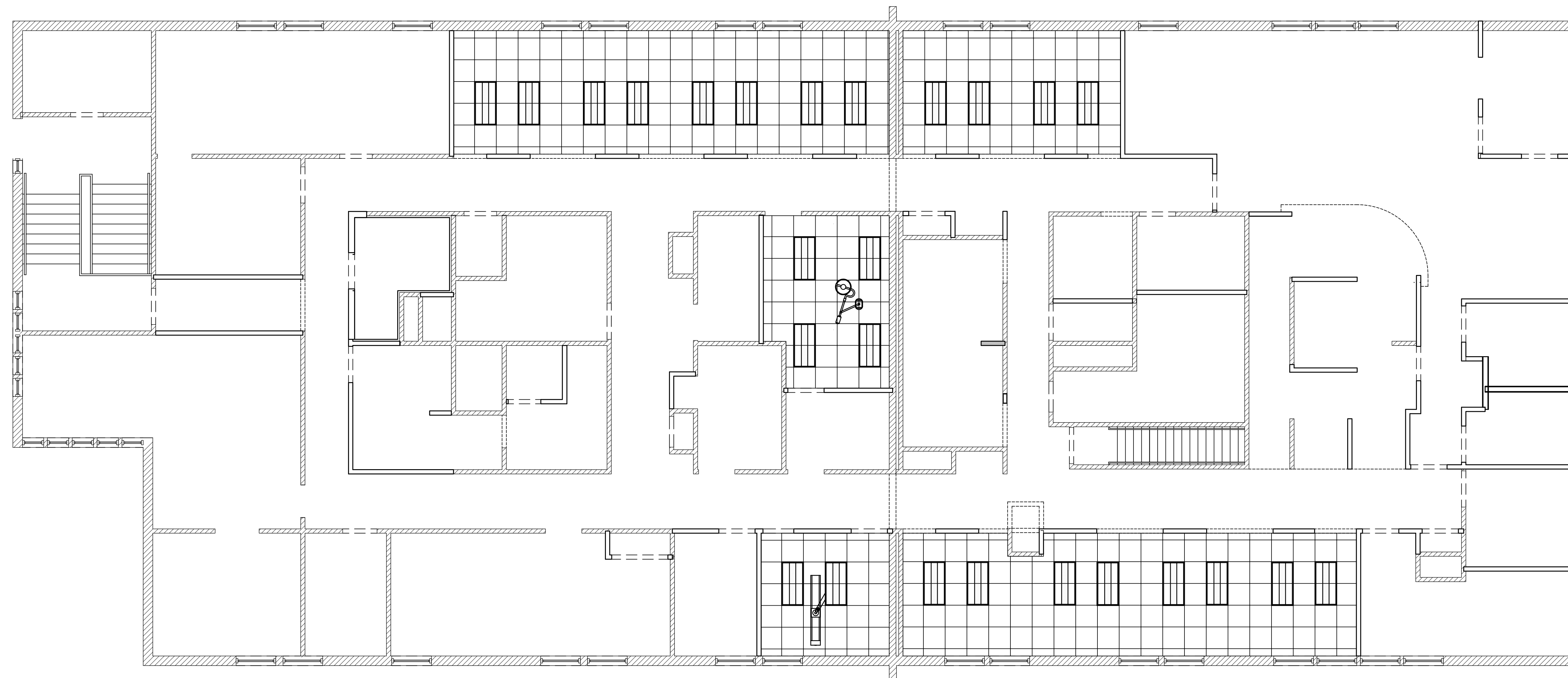


### CEILING LEGEND

\*ALL EXIT AND EMERGENCY LIGHTS ARE THE RESPONSIBILITY OF THE LIGHTING CONTRACTOR AND TO BE INSTALLED PER LOCAL CODE.  
 \*GENERAL SWITCH LOCATIONS AND WIRING TO BE DETERMINED BY LIGHTING CONTRACTOR PER LOCAL CODE AND BE APPROVED BY DOCTOR.  
 \*HVAC ENGINEER MUST TAKE CEILING & DENTAL LIGHTS WITHIN TREATMENT ROOMS INTO CONSIDERATION WHEN LAYING OUT THE AIR DISTRIBUTION SYSTEM. SEE SHEET SA.1 FOR BLOCKING LOCATIONS (WHERE APPLICABLE).

-  SUSPENDED CEILING GRID
-  2 x 4 RECESSED OVATION LIGHT FIXTURE
-  CEILING MOUNTED DENTAL TRACK LIGHT
-  POST MOUNTED CEILING DENTAL LIGHT



**PROPOSED CEILING PLAN - TREATMENT ROOMS ONLY**  
 3/16"=1'-0"

**HENRY SCHEIN®**  
**DENTAL**  
 10920 WEST LINCOLN AVENUE  
 WEST ALLIS, WI 53227

PROJECT: **COMMUNITY DENTAL PORTLAND**

LOCATION: 640 BRIGHTON AVENUE  
 PORTLAND, ME 04101

HENRY SCHEIN REP: JESSE LEVEILLE  
 CENTER: BOSTON, MA  
 PHONE #: (207) 233-4978

**-IMPORTANT NOTE-**  
 THIS DOCUMENT HAS BEEN PREPARED AS AN INSTRUMENT OF PROFESSIONAL SERVICE, AND IS NOT AN ARCHITECTURAL PLAN. IDEAS/ DESIGNS INCLUDED HEREIN ARE THE SOLE PROPERTY OF HENRY SCHEIN DENTAL, AND ARE PROTECTED UNDER COPYRIGHT. THEY MAY NOT BE USED OR REPRODUCED WITHOUT EXPRESSED WRITTEN CONSENT OF HENRY SCHEIN AND FULL PAYMENT OF ANY ASSOCIATED DESIGN FEES.  
**ALL DIMENSIONS ARE SUBJECT TO JOB-SITE VERIFICATION.**

DRAWING NAME: COMMUNITY DENTAL PORTLAND-1A-F  
 PROJECT START DATE: 07/20/2015  
 FINALS START DATE: 01/22/2016  
 DRAWN BY: ARCH  
 FINALS BY: AKL  
 CHECKED BY: GMC

REVISIONS:  
 02/10/16 AKL  
 02/16/16 AKL  
 04/07/16 AKL  
 -/-/-  
 -/-/-  
 -/-/-  
 INT.SQ.FT.= PER ARCH

SCALE: 3/16"=1'-0" SHT. SIZE: D

CEILING PLAN

**SA.2**