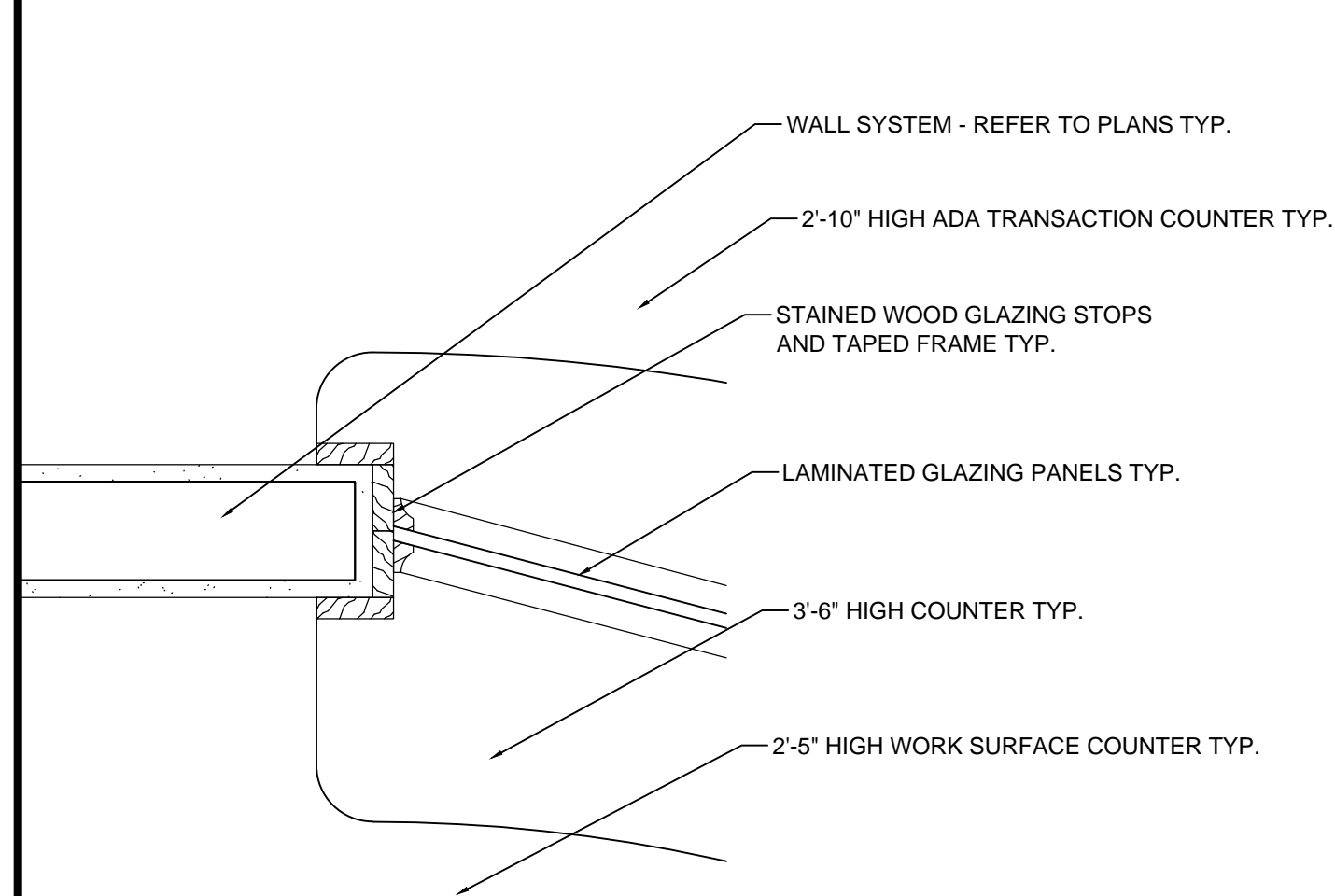
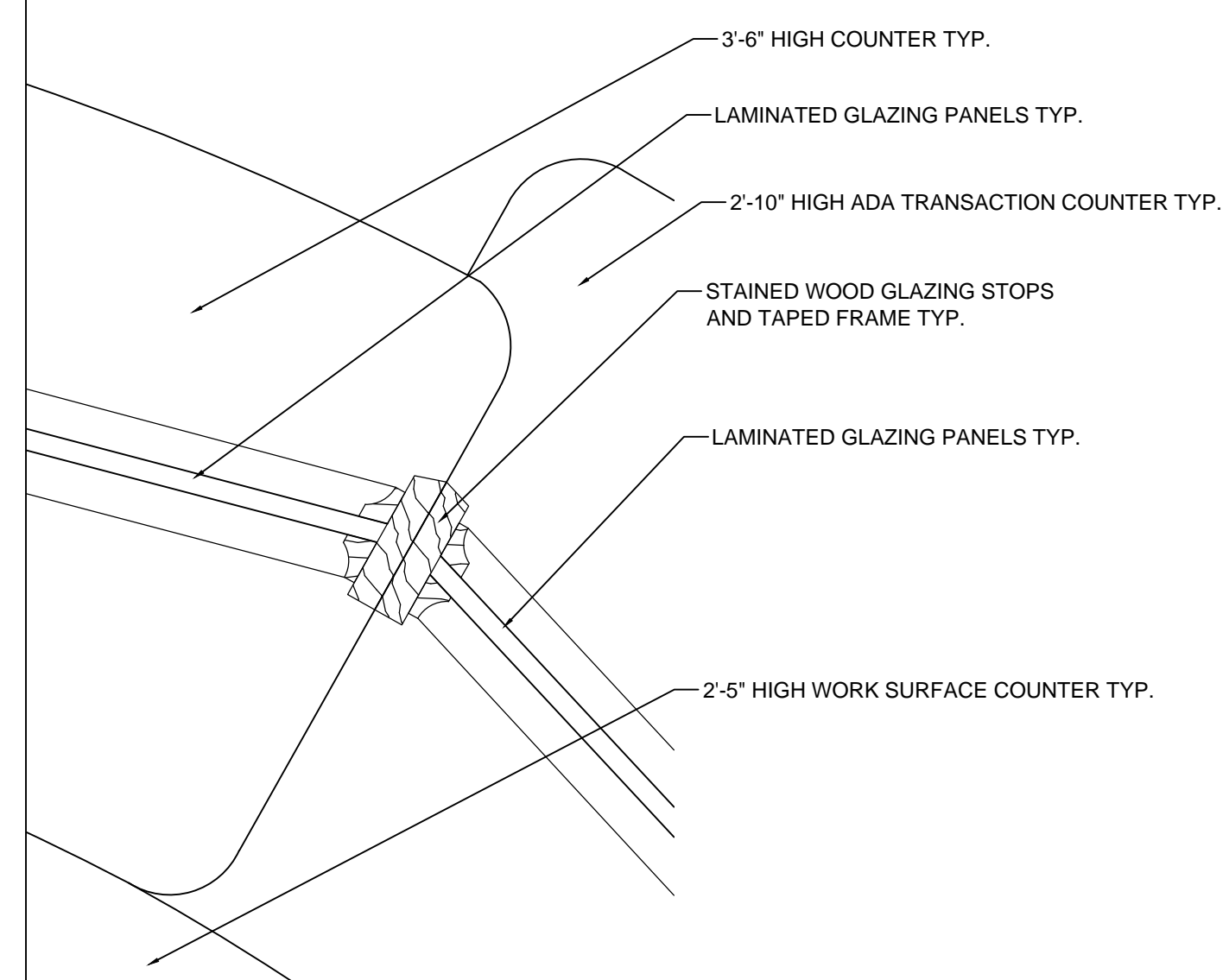


1 DETAIL PLAN @ RECEPTION COUNTER
SCALE: 1" = 1'-0"



2 DETAIL PLAN @ RECEPTION COUNTER
SCALE: 3" = 1'-0"



3 DETAIL PLAN @ RECEPTION COUNTER
SCALE: 3" = 1'-0"

COPYRIGHT 2016
REUSE, DISTRIBUTION OR REPRODUCTION OF THE CONTENTS OF THIS DOCUMENT IS STRICTLY PROHIBITED WITHOUT WRITTEN PERMISSION OF FORESIDE ARCHITECTS. THE USE OF THIS DOCUMENT SHALL BE LIMITED TO BIDDING AND CONSTRUCTING THE WORK FOR THE OWNER. ALL ELECTRONIC POSTING OF THIS DOCUMENT SHALL BE ON A SECURE NETWORK WITH ACCESS LIMITED TO AUTHORIZED PARTIES.

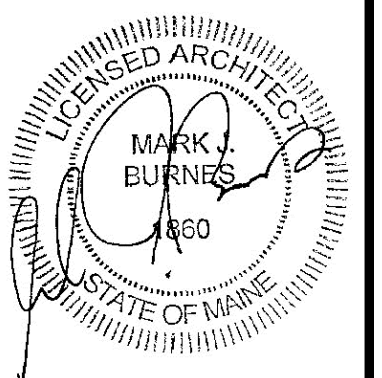
GENERAL NOTES:

1. REPORT ANY DISCREPANCIES TO THE DESIGNER OF RECORD. THE CONTRACTOR SHALL PROCEED WITH WORK ONLY AFTER DISCREPANCIES HAVE BEEN RESOLVED BY THE DESIGNER OF RECORD.
2. EXISTING BUILDING COMPONENTS AND WORK CURRENTLY COMPLETED AND IN PLACE DURING CONSTRUCTION WHICH IS AFFECTED BY NEW WORK AND DEMOLITION, OR WHICH MAY BE DAMAGED BY THE CONTRACTOR OR ANY SUBCONTRACTOR, SHALL BE REPLACED OR RESTORED TO THE ORIGINAL CONDITION AND COLOR AS APPROVED BY THE DESIGNER OF RECORD.
3. THE BUILDING SHALL BE CONSTRUCTED TO CONFORM WITH ALL GOVERNING CODES INCLUDING 2009 INTERNATIONAL BUILDING CODE (IBC), NFPA 101 2009, 2009 UNIFORM PLUMBING CODE, 2014 NATIONAL ELECTRICAL CODE (NEC), AND AMERICAN NATIONAL STANDARD INSTITUTE (ANSI).
4. ALL EXISTING CONDITIONS ARE TO BE FIELD VERIFIED BY THE CONTRACTOR PRIOR TO FABRICATION. THIS INCLUDES DELIVERY PROCEDURES, DIMENSIONS AND MATERIALS.
5. DRAWINGS ARE NOT TO BE SCALED. CONTRACTOR SHALL VERIFY DIMENSIONS AND CONDITIONS. APPARENT DISCREPANCIES REQUIRING CLARIFICATION SHALL BE DIRECTED TO THE DESIGNER OF RECORD PRIOR TO COMMENCEMENT OF THE WORK IN QUESTION.
6. DEMOLITION MAY REQUIRE SELECTIVE REMOVAL OF EXISTING MATERIALS, TEMPORARY BRACING AND STRUCTURAL SHORING. REMOVAL OF ALL MATERIALS DISMANTLED NOT INTENDED FOR RE-USE SHALL BE DISPOSED OF IN COMPLIANCE WITH LOCAL REGULATIONS.
7. THIS PROJECT SHALL NOT CONTAIN HAZARDOUS MATERIALS OF ANY TYPE, INCLUDING BUT NOT LIMITED TO ASBESTOS.
8. THE CONTRACTOR SHALL OBTAIN ALL REQUIRED PERMITS FROM THE APPROPRIATE OFFICIALS PRIOR TO COMMENCING THE WORK AND INSPECTIONS AND APPROVALS UPON COMPLETION OF THE WORK.
9. WHERE ONLY A SINGLE PRODUCT OR MANUFACTURER IS NAMED, PROVIDE THE PRODUCT INDICATED. SUBSTITUTIONS SHALL BE PERMITTED ONLY WHEN APPROVED BY THE OWNER OR THE OWNER'S AUTHORIZED REPRESENTATIVE THROUGH WRITTEN DIRECTIVE.
10. THE LOCATION OF ALL DOOR FRAMES NOT DIMENSIONED SHALL BE 4" FROM ADJACENT WALLS UNLESS OTHERWISE INDICATED.
11. ALL PARTITIONS SHALL EXTEND FROM FLOOR TO UNDERSIDE OF SUPPORTING STRUCTURE ABOVE UNLESS OTHERWISE NOTED.
12. INSTALL BLOCKING BEHIND ALL SURFACE APPLIED FIXTURES, TRIM, GRAB BARS, SHELVES, CHAIR RAILS, PICTURE RAILS AND BASE MOLDINGS.
13. AT PROJECT CLOSEOUT, SUBMIT SPECIFIC WARRANTIES, WORKMANSHIP BONDS, MAINTENANCE AGREEMENTS, FINAL CERTIFICATIONS AND SIMILAR DOCUMENTS.
14. COMPLETE FINAL CLEANUP AT PROJECT CLOSEOUT. TOUCH-UP, REPAIR AND RESTORE ALL MARRED EXPOSED FINISHES.
15. IF TWO CONFLICTING CONDITIONS OR DETAILS EXIST IN THIS DRAWING SET OR ASSOCIATED SPECIFICATIONS THE SUBCONTRACTOR SHALL MAKE THEM KNOWN TO THE GENERAL CONTRACTOR AND DESIGNER OF RECORD. IT SHALL BE THE DESIGNER OF RECORD'S CHOICE TO DECIDE WHICH CONDITION OR DETAIL APPLIES AT NO ADDITIONAL COST.



5 FUNDY ROAD Phone: 207-781-3344
FALMOUTH, ME 04105 Fax: 207-699-5564
Online @ foresidearchitects.com

PROJECT STATUS:
PERMIT REVIEW /
CONSTRUCTION



PROJECT NUMBER:

COMMUNITY DENTAL
PORTLAND

190 PARK AVENUE
PORTLAND, ME

DRAWING:
CASEWORK DETAILS

SCALE:
AS NOTED

SHEET NUMBER:

DATE:
MAY 13, 2016

A502