

project name

Butler Payson
pine st.
state st.
portland, maine

avesta housing

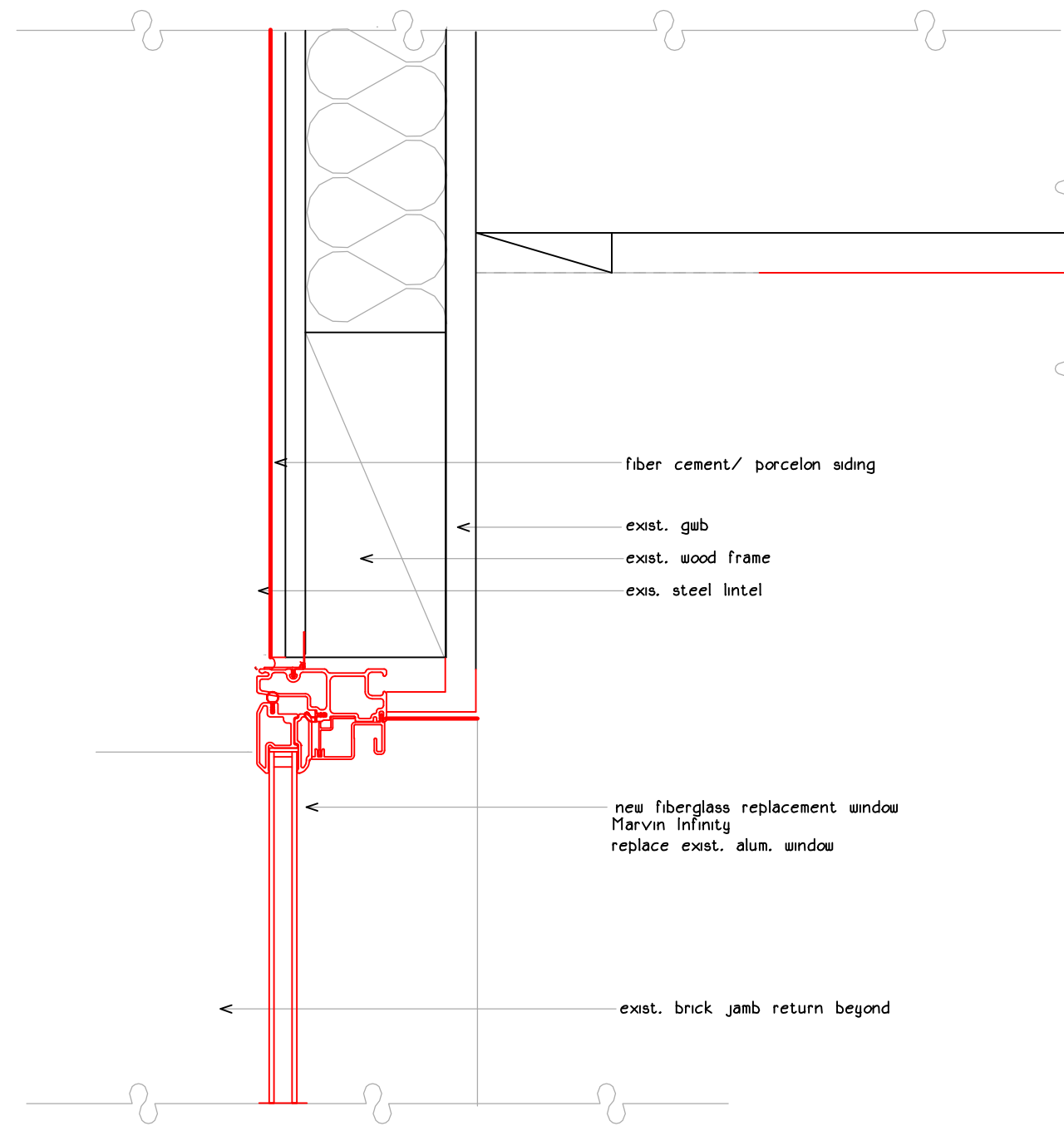
goduti/thomas architects

44 oak st.

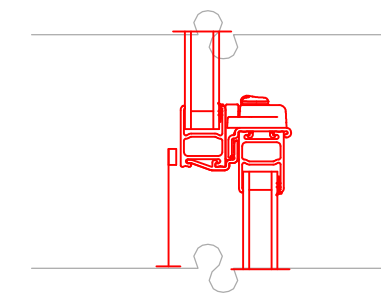
portland, maine 04101

ph. 207-115-3184

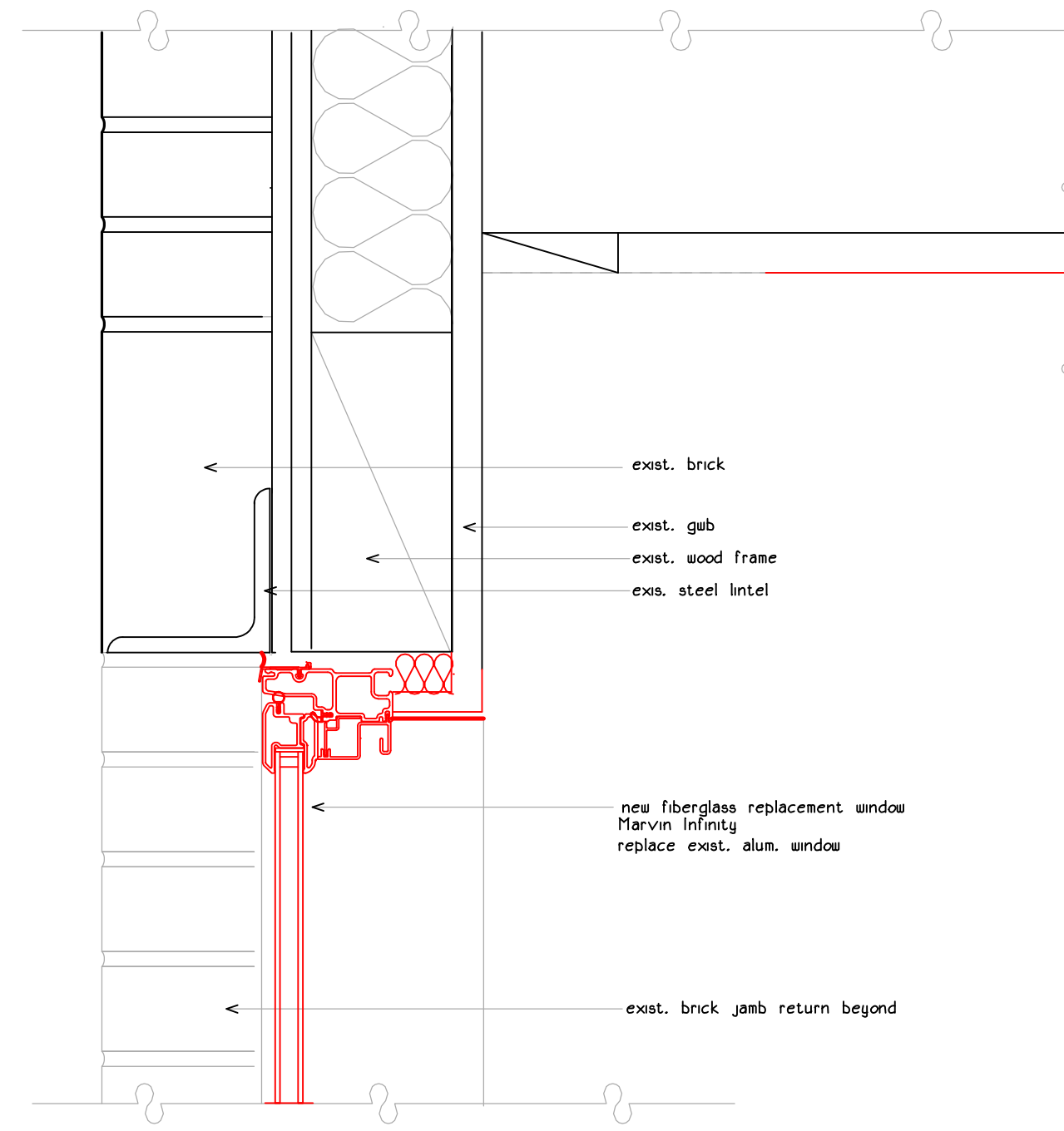
fax 207-114-0846



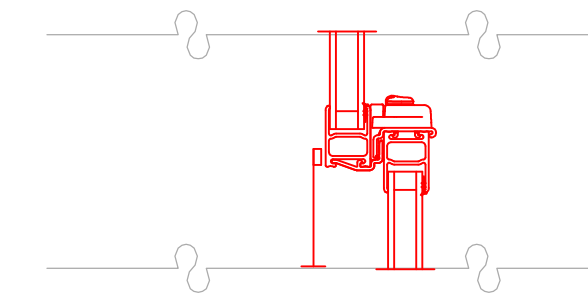
3 new head @ wood frame infill



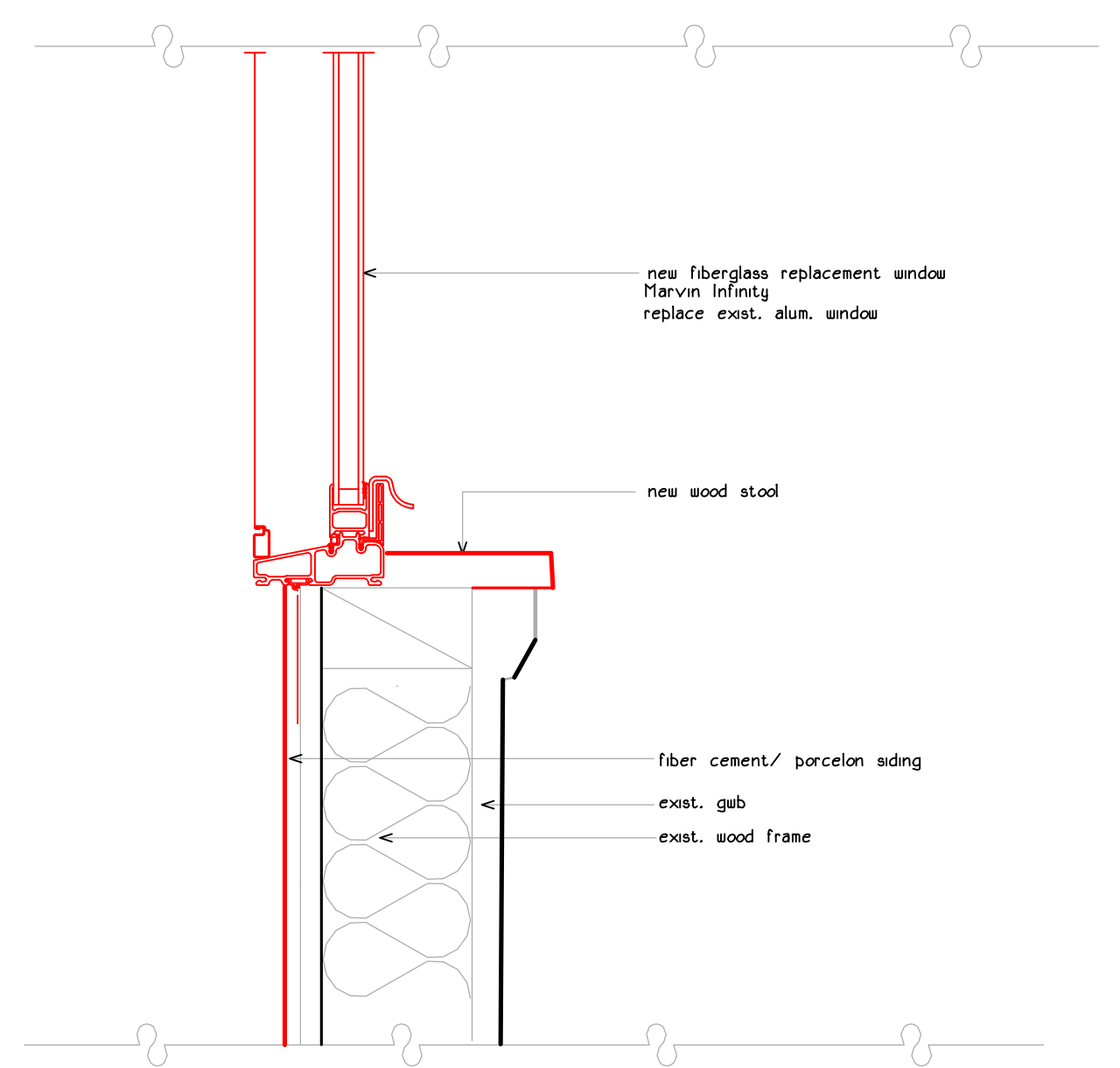
parting rail



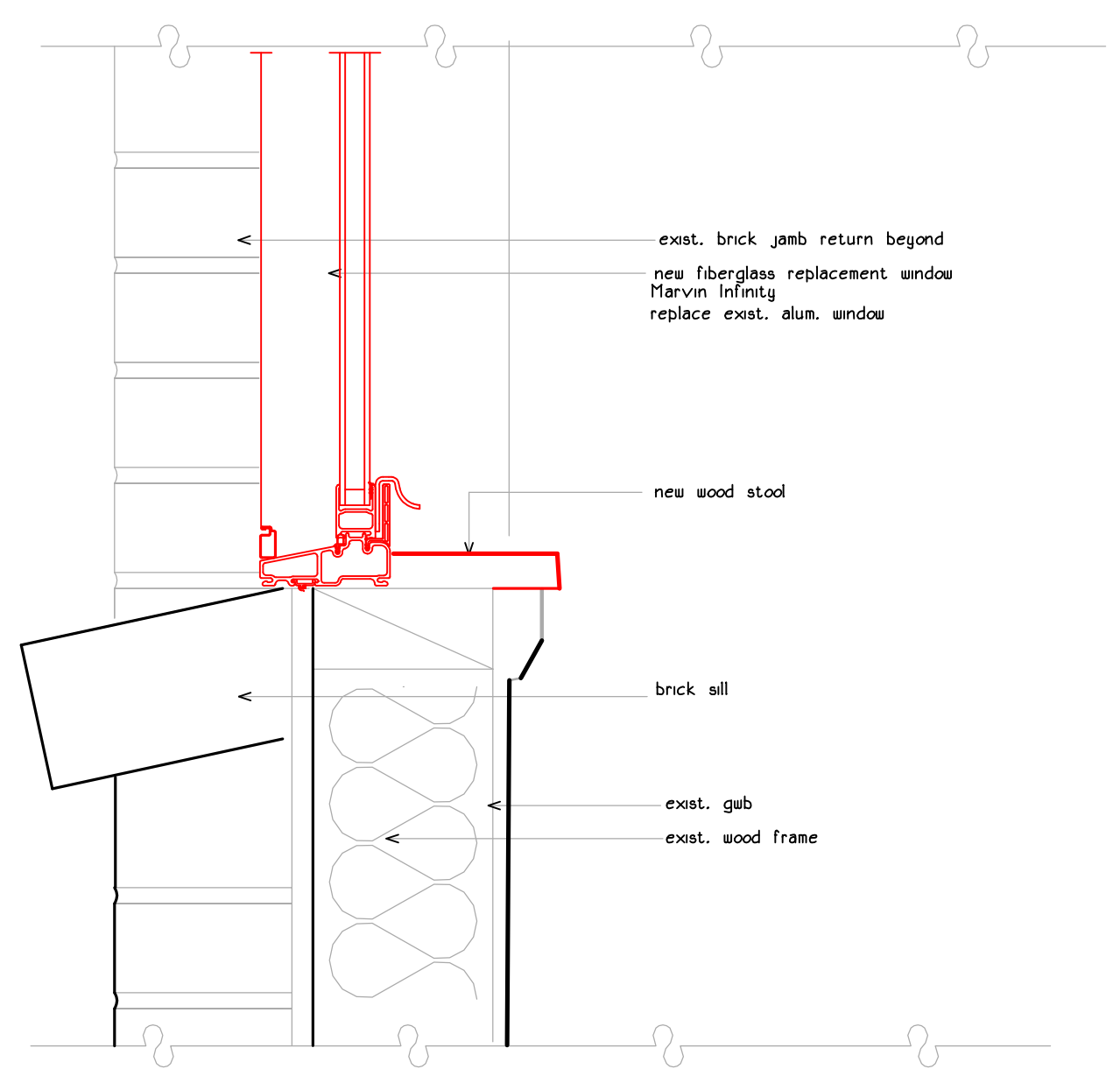
5 new head @ brick addition



parting rail



4 new sill @ wood framed infill



6 new sill @ brick addition

revisions

date

oct., 2014

sheet title

marvin infinity
fiberglass window
details
payson building
brick addition
infill wood addition

scale

3/8" = 1'-0"

drawn by

RG

project number

butler payson

sheet number

A5.2