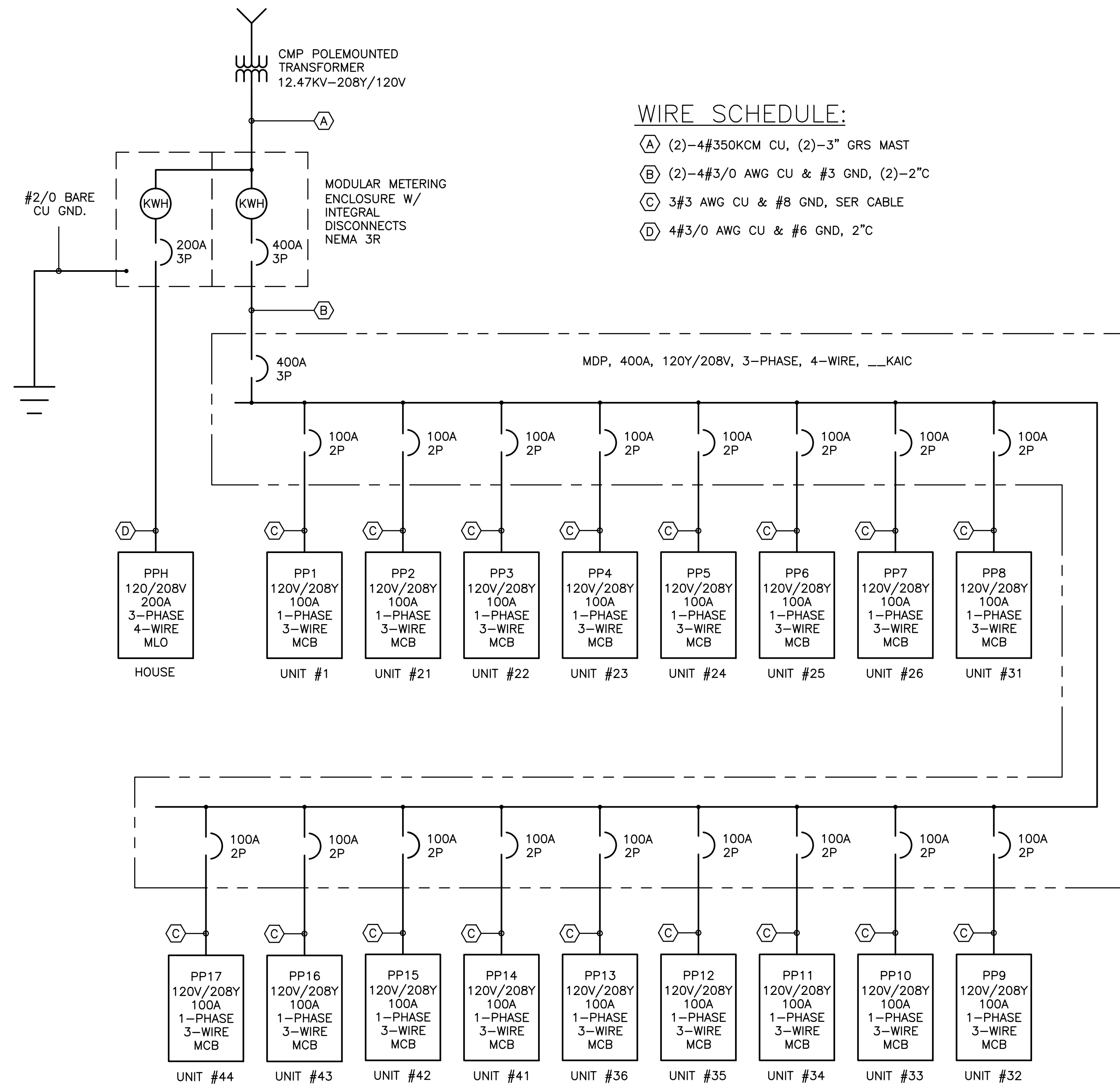


1 EXISTING ELECTRICAL ONE-LINE DIAGRAM  
SCALE: NOT TO SCALE

**NOTES:**

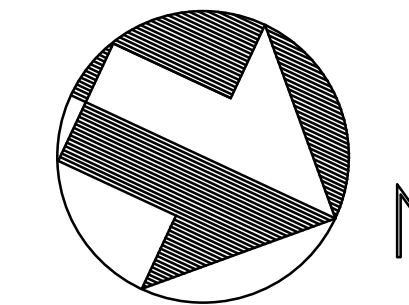
- SEE E.O FOR LEGEND, ABBREVIATIONS AND GENERAL NOTES.
- INTENT IS TO REPLACE EXISTING WESTINGHOUSE ARROW-HART PANEL WITH NEW PANEL. REFEED EXISTING PANELS IN APARTMENT UNITS INDIVIDUALLY AS SHOWN.
- INTENT IS TO REPLACE EXISTING HOUSE PANEL. RELOCATE EXISTING CIRCUITS TO REMAIN TO THE NEW PANEL.



2 NEW ELECTRICAL ONE-LINE DIAGRAM  
SCALE: NOT TO SCALE

**WIRE SCHEDULE:**

- (A) (2)-4#350KCM CU, (2)-3" GRS MAST
- (B) (2)-4#3/0 AWG CU & #3 GND, (2)-2" C
- (C) 3#3 AWG CU & #8 GND, SER CABLE
- (D) 4#3/0 AWG CU & #6 GND, 2" C



project name

**Butler Payson**  
pine st.  
state st.  
portland, me

avesta housing

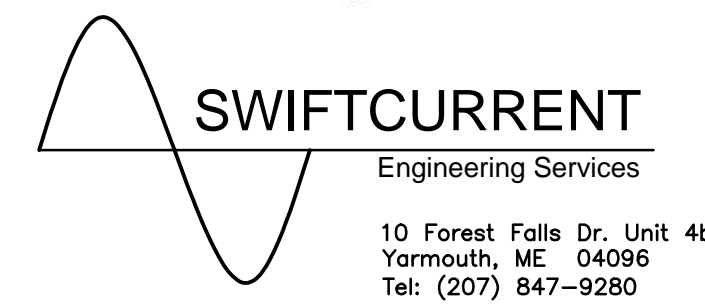
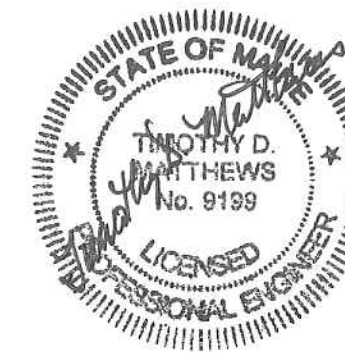
goduti/thomas architects

44 oak st.

portland, maine 04101

ph. 207-775-3184

fax 207-774-0486



ISSUED FOR PERMIT

revisions

date

Feb. 6, 2015

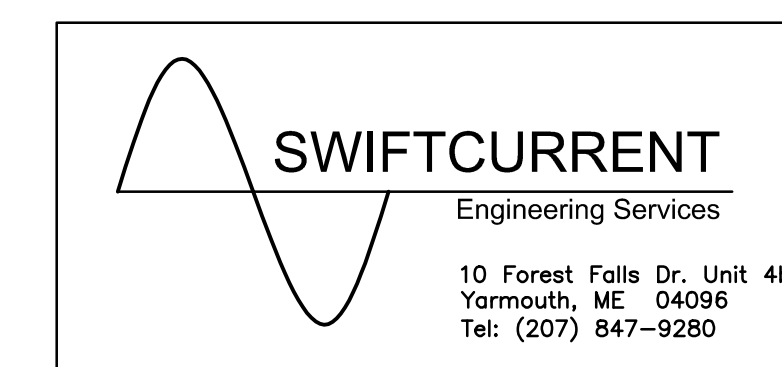
sheet title

ELECTRICAL ONE-LINE DIAGRAM

scale: as shown

drawn by:JMD checked by:TDM

project number



PE1.4