

project name

butler payson
pine street
state street
portland, maine

Avesta Housing

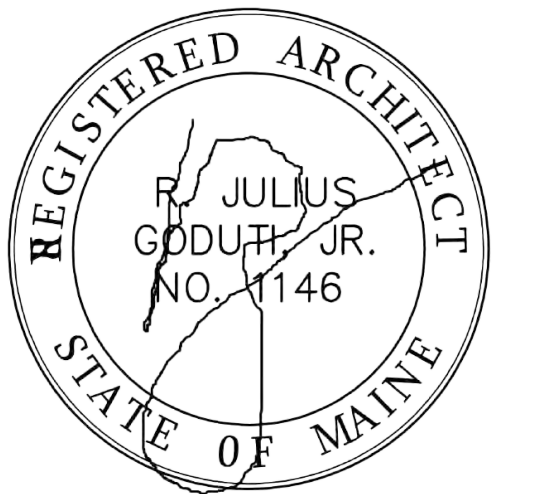
goduti/thomas architects

44 oak st.

portland, maine 04101

ph. 207-775-3184

fax 207-774-0846



revisions

date

january 17th, 2014

sheet title

wall types
payson

section views unless noted

scale

1 1/2" = 1'-0"

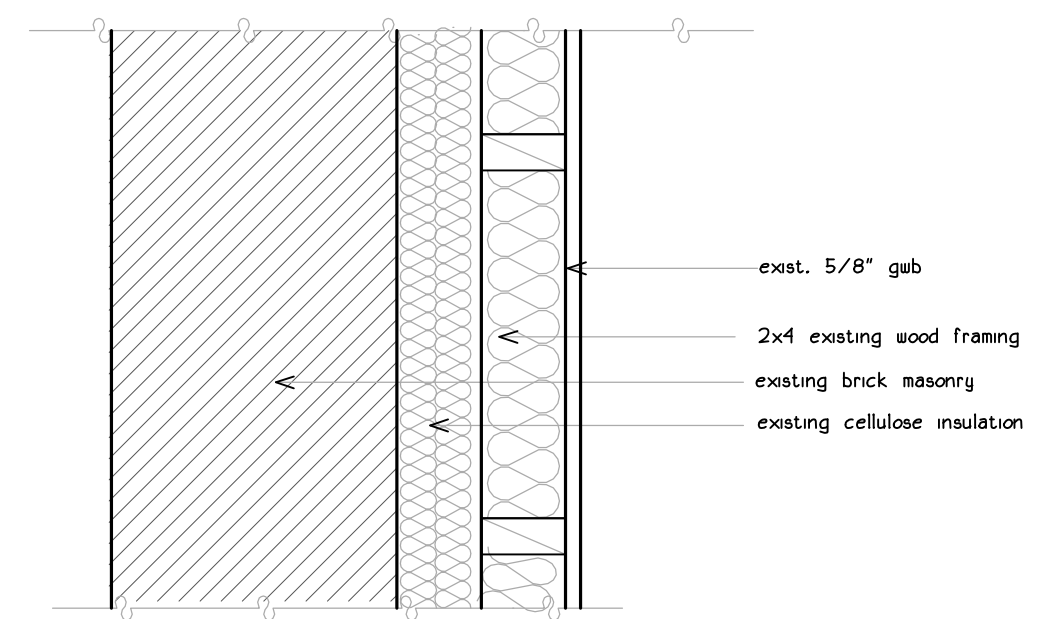
drawn by

MS

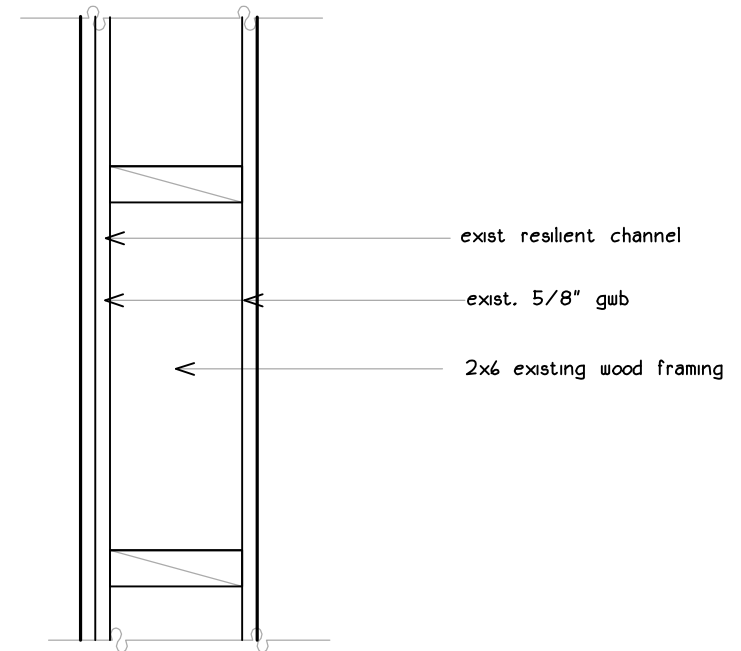
project number

sheet number

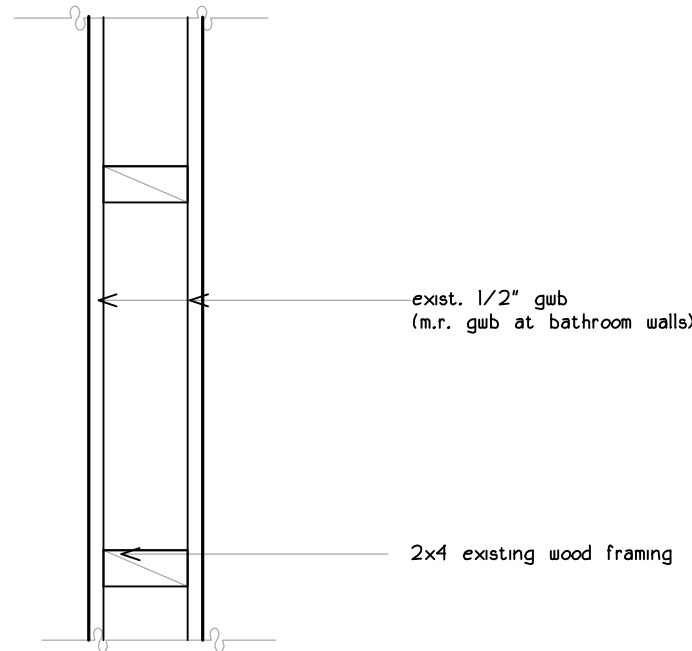
PA5.7



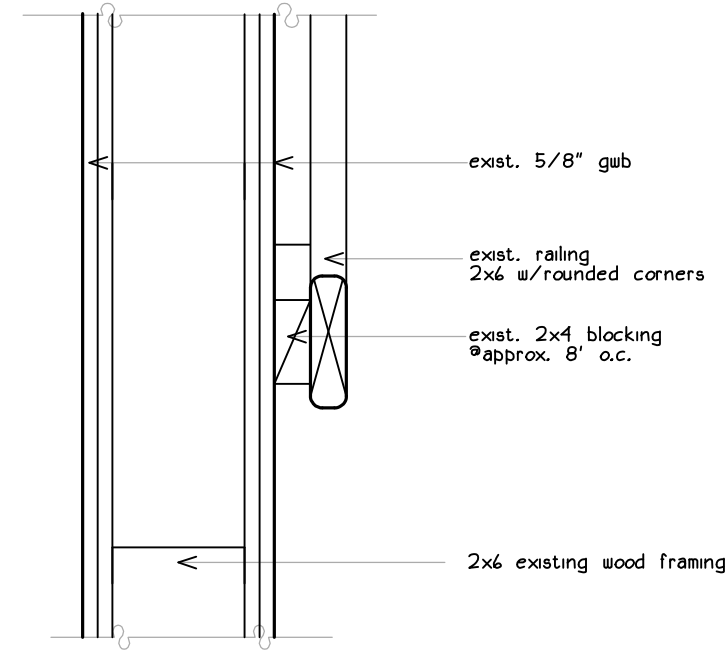
1 existing exterior wall



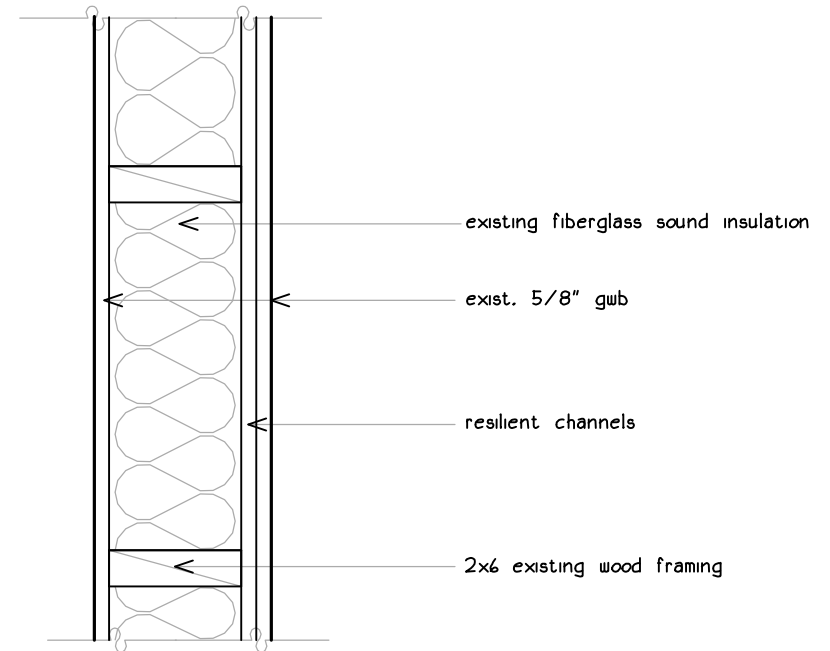
2 existing corridor wall
1 hr rated



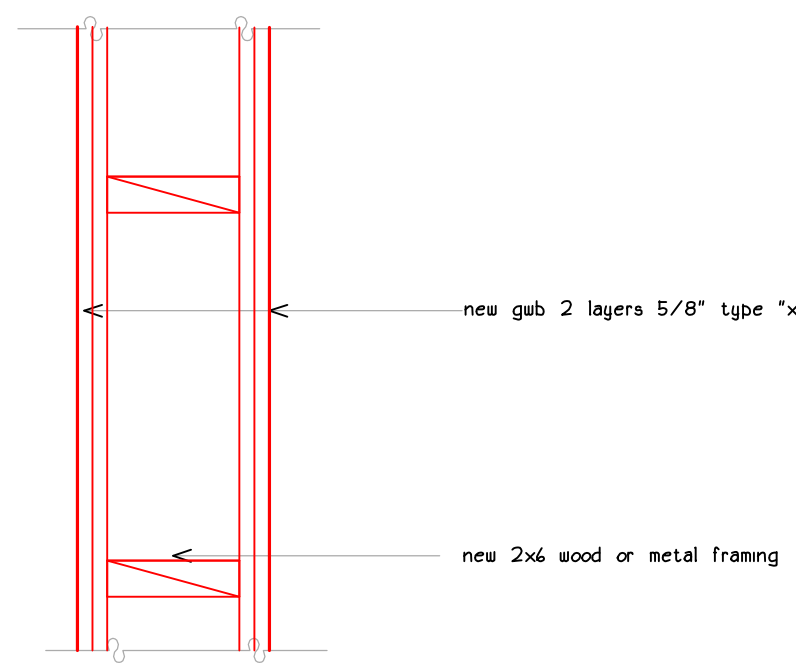
3 existing interior unit wall



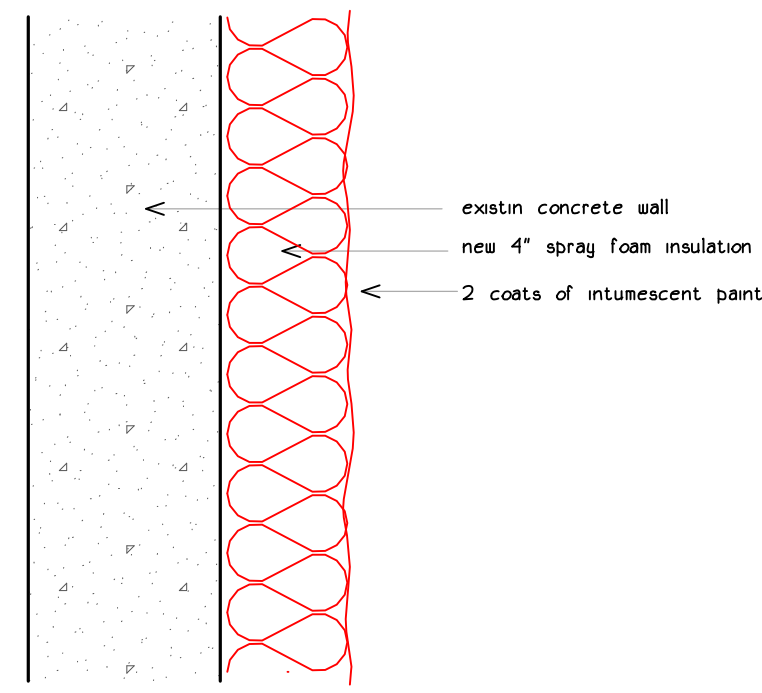
4 existing stair wall/handrail section
2 hr rated



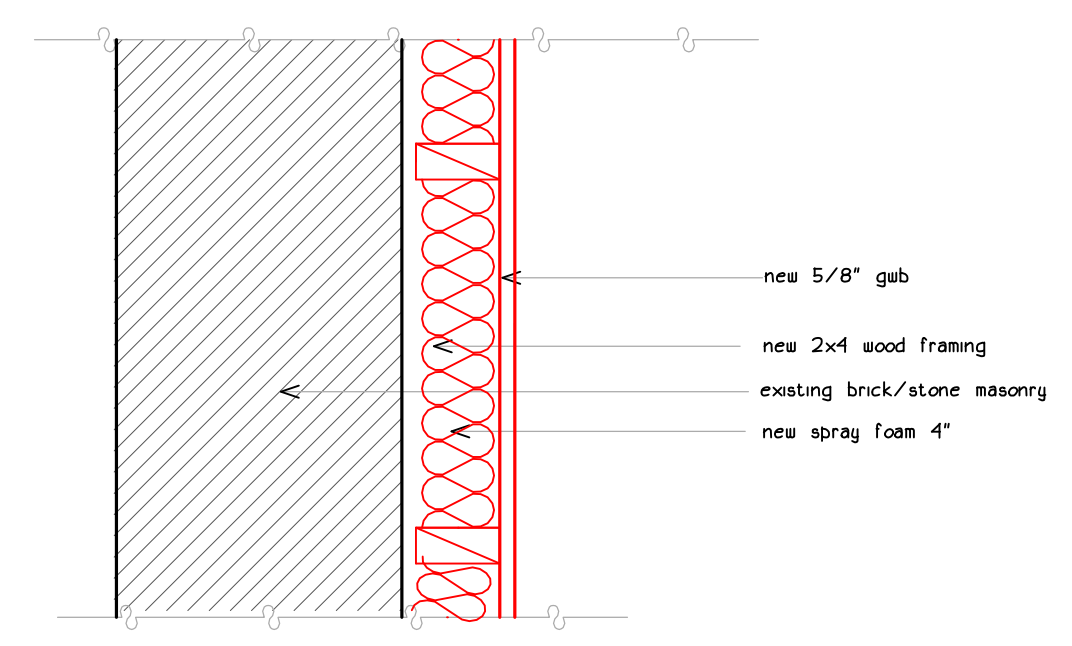
5 existing unit division partition
1 hr rated



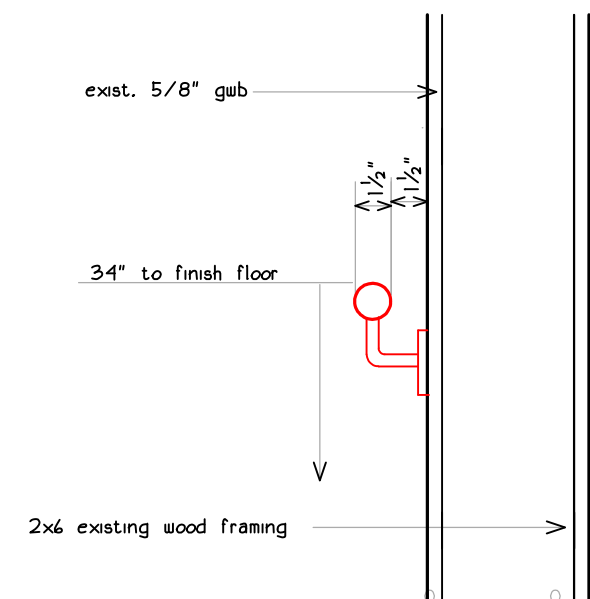
6 new stair wall
2 hr rated



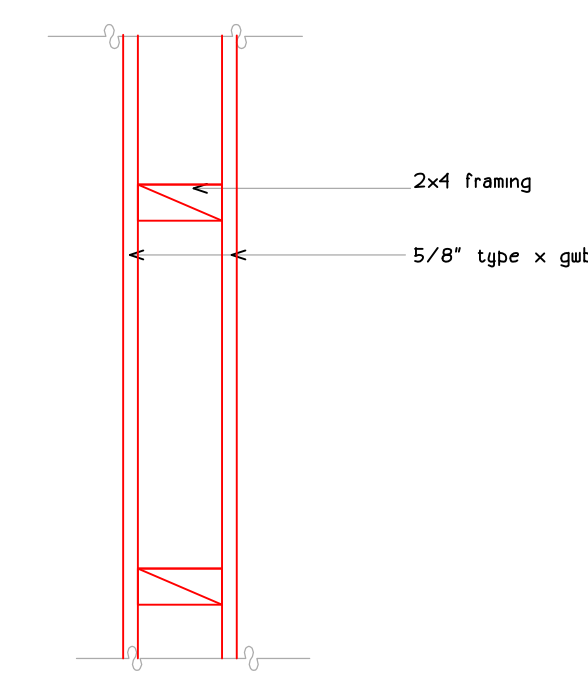
7 crawl space
plan



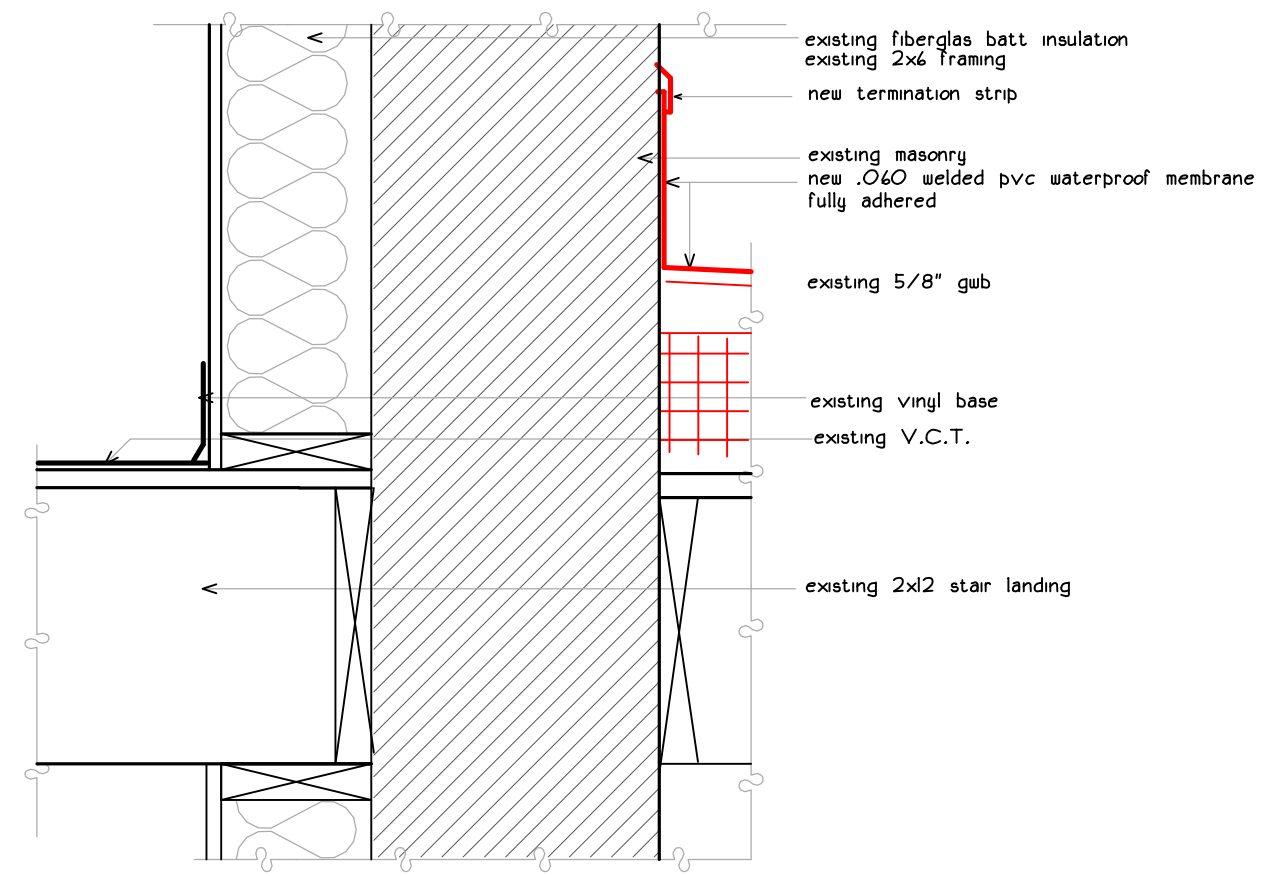
8 new wall at exterior first floor
plan



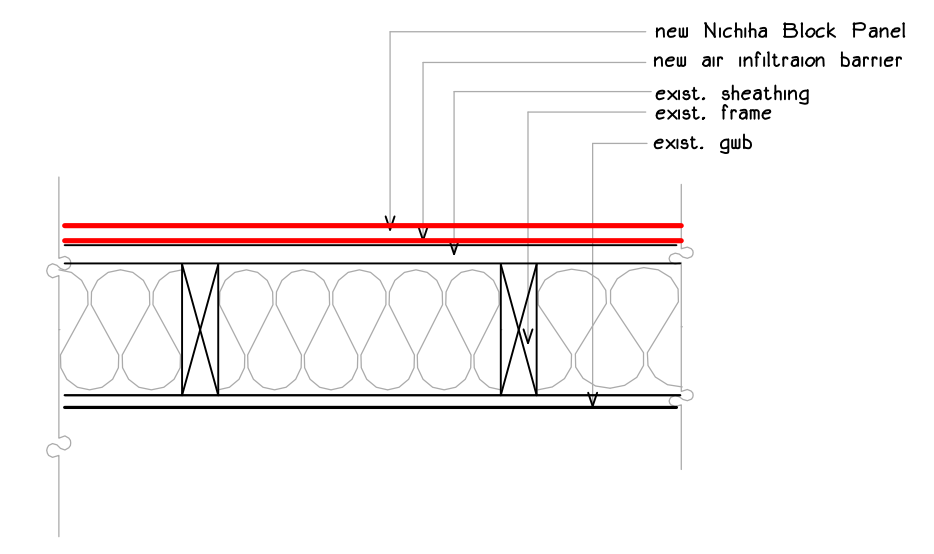
9 new stair railings
section



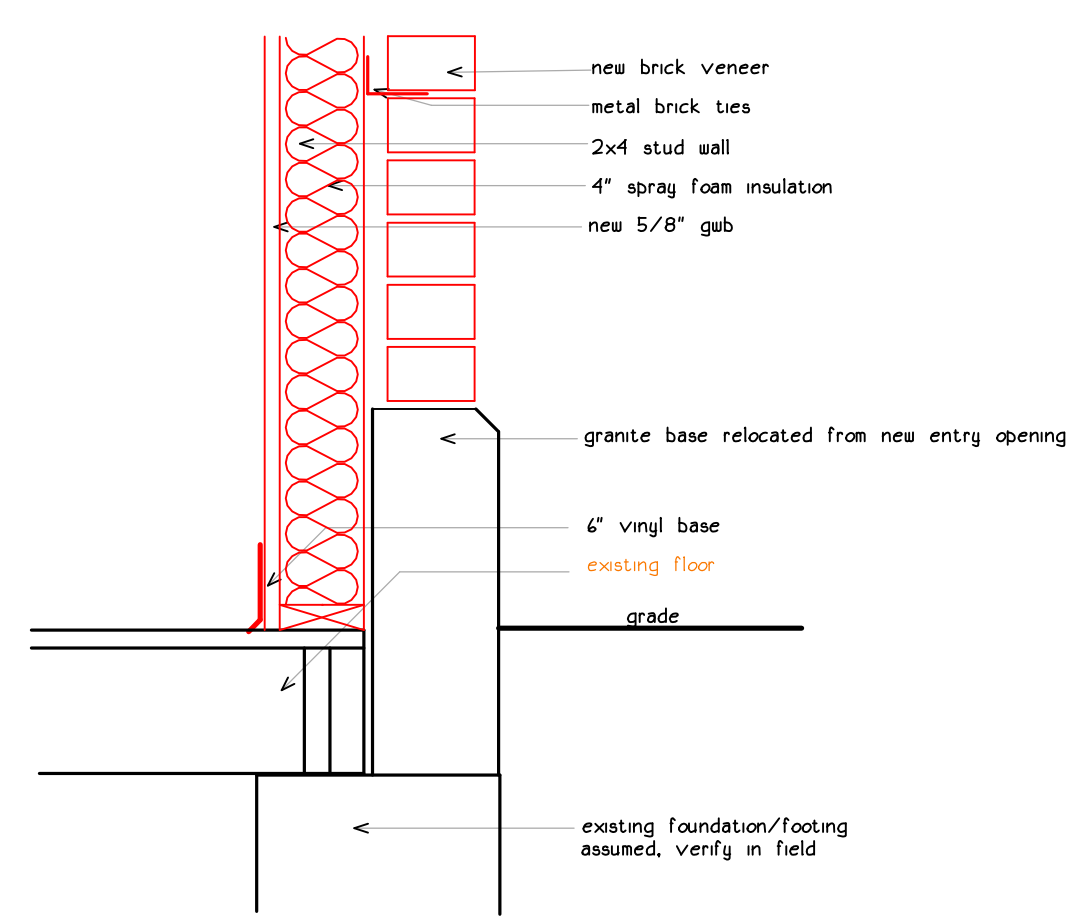
10 new 1hr rated
(presumed 2hr)



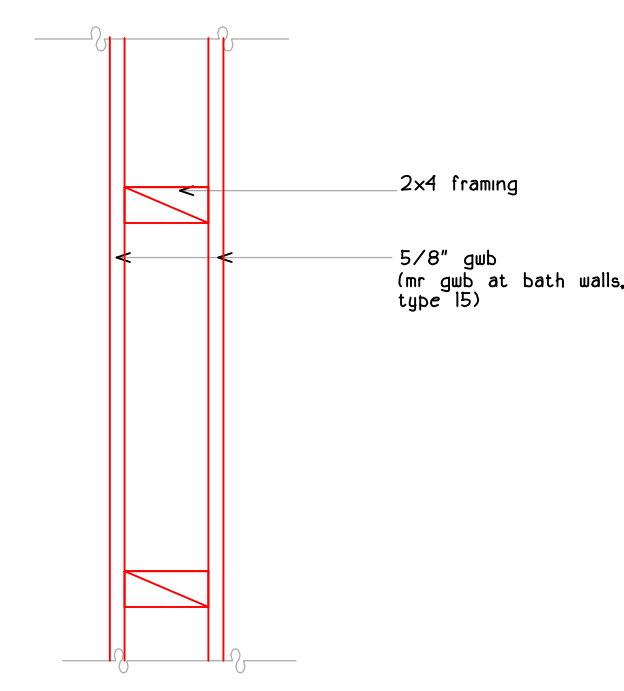
11 stair at 4th floor exterior
(presumed 2hr)



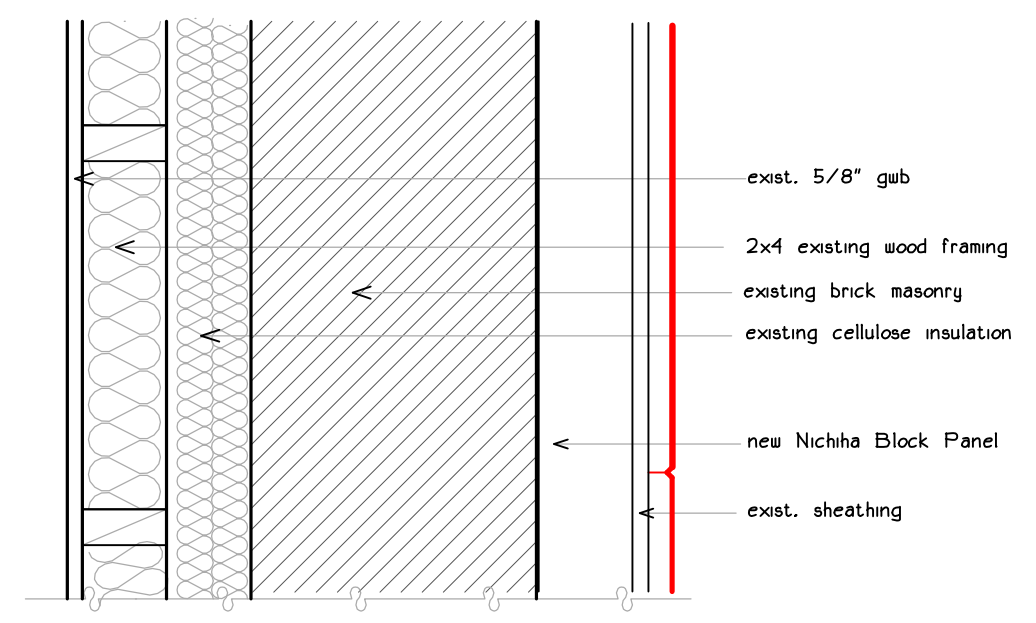
12 corridor at auditorium units
plan



13 brick veneer infill
plan



14 new wall at units
plan
15 new wall baths (mr gwb)



16 existing wall w/new siding