

project name

butler payson

pine st.
deering st

avesta

goduli/thomas architects

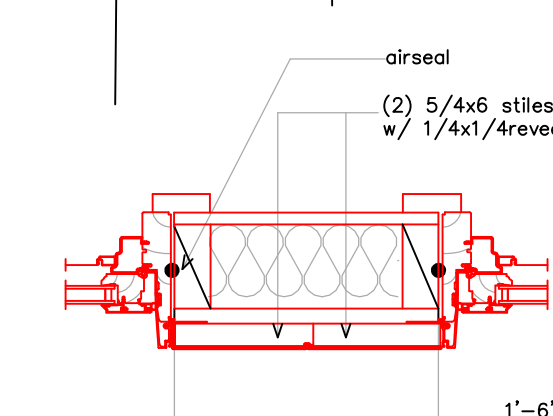
44 oak st.

portland, maine 04101

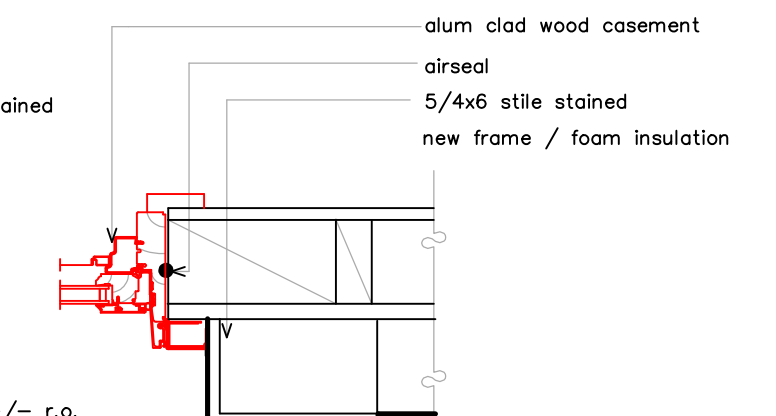
ph. 207-775-3184

fax 207-774-0846

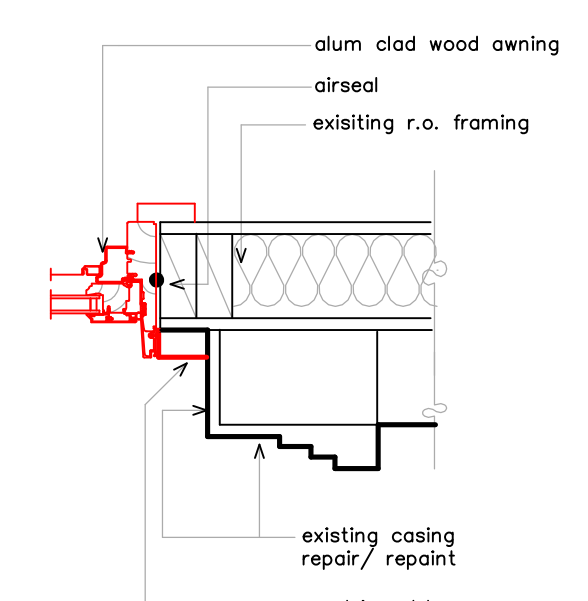
alum clad wood casement
airseal
5/4x6 stile stained
new frame / foam insulation



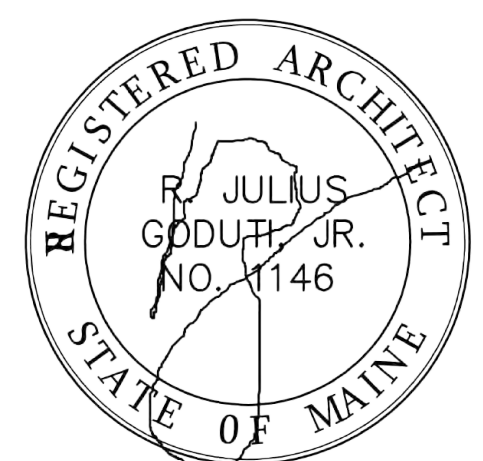
1. plan



2. plan



3. plan



revisions

date

january 11th, 2015

sheet title

original entry section
entry section

scale

1 1/2" = 1'-0"

drawn by

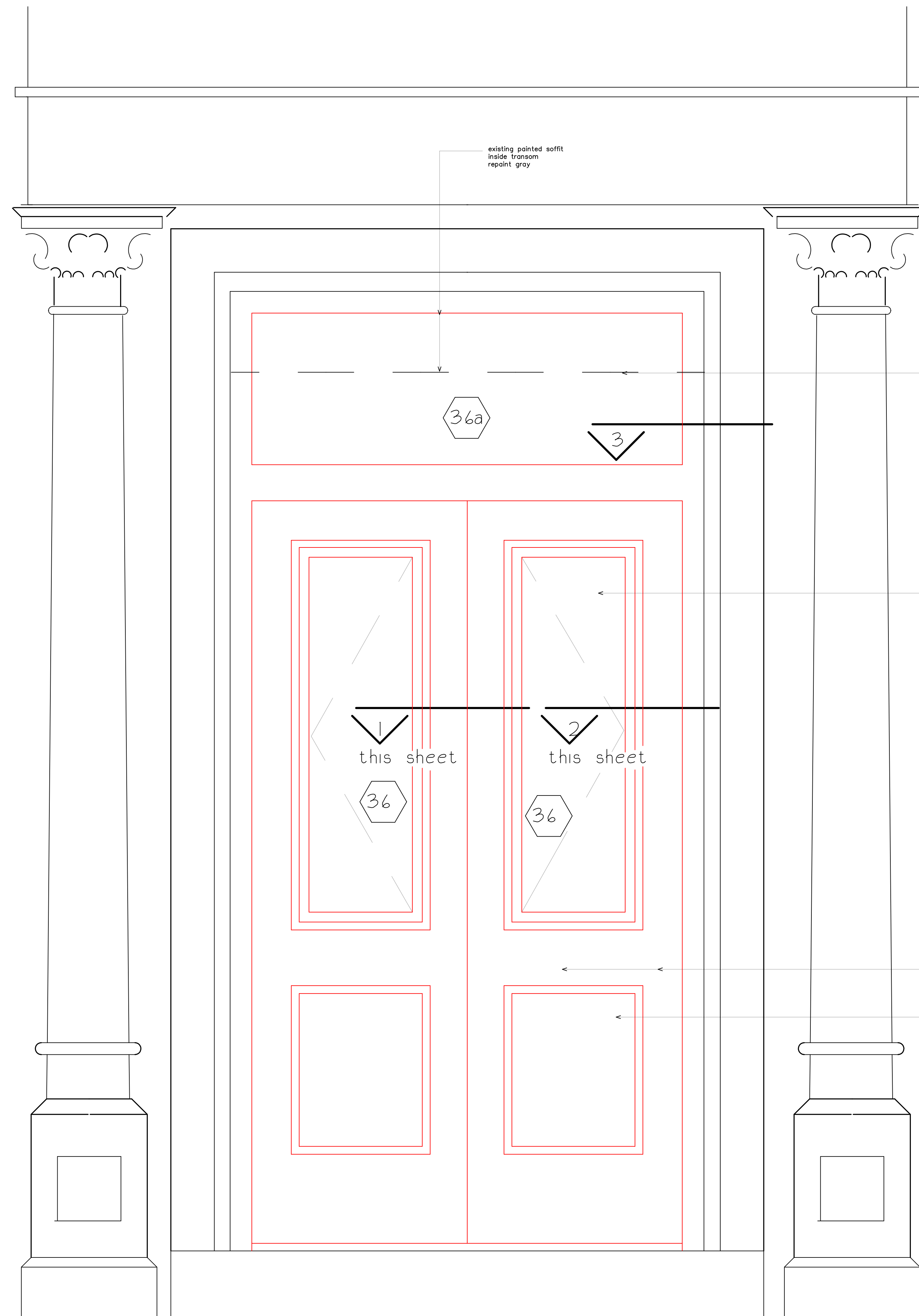
RG/MS

project number

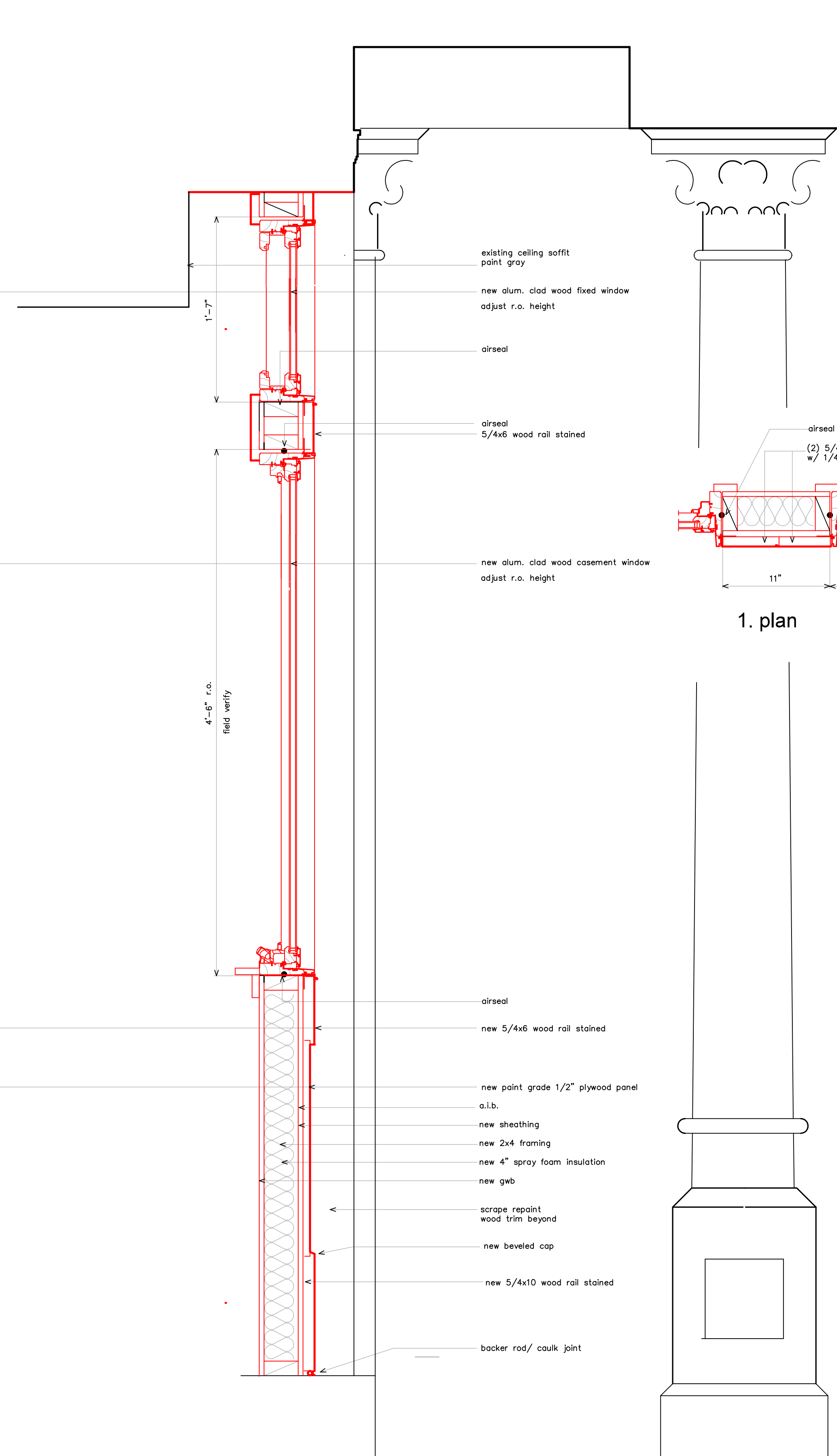
butpay

sheet number

PA3.3



elevation



section

existing painted soffit
inside transom
repaint gray

36a

3

1
this sheet
36

2
this sheet
36

existing ceiling soffit
paint gray

new alum. clad wood fixed window
adjust r.o. height

airseal

airseal
5/4x6 wood roll stained

new alum. clad wood casement window
adjust r.o. height

4'-6" r.o.
field verify

airseal

new 5/4x6 wood roll stained

new paint grade 1/2" plywood panel
o.i.b.

new sheathing

new 2x4 framing

new 4" spray foam insulation

new gwb

scrape repaint
wood trim beyond

new beveled cap

new 5/4x10 wood roll stained

backer rod/ caulk joint