

project name

**Butler Payson**  
pine st.  
state st.  
portland, me.

avesta housing

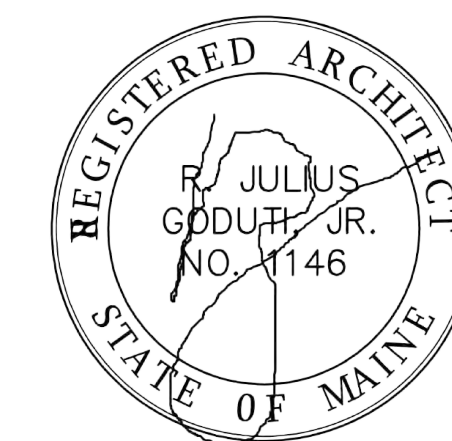
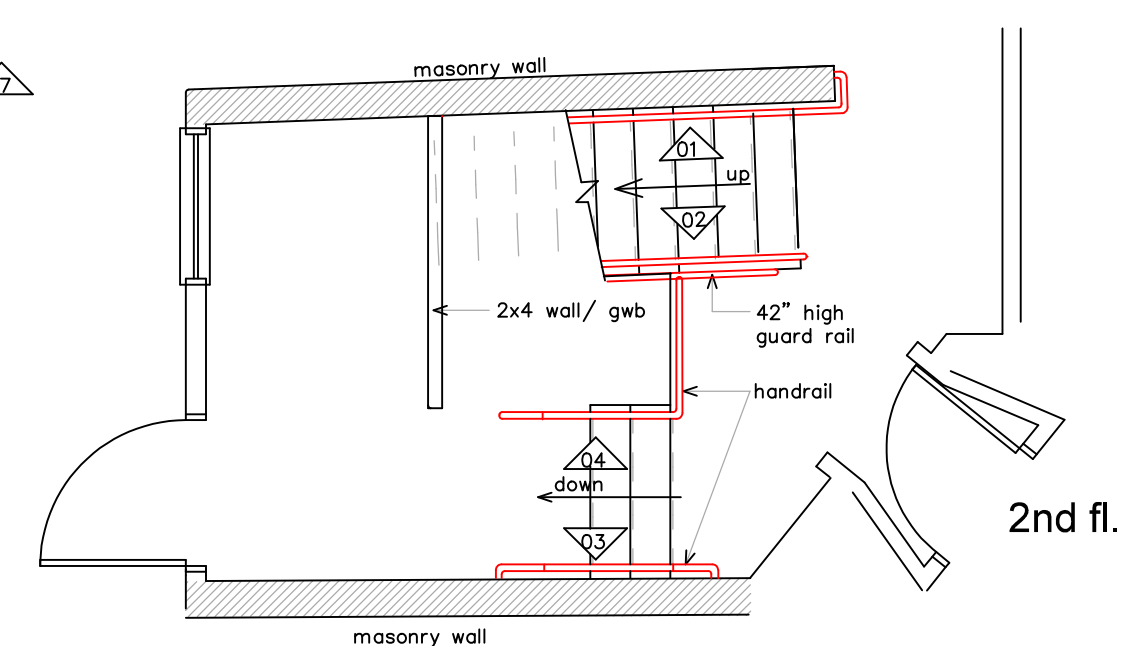
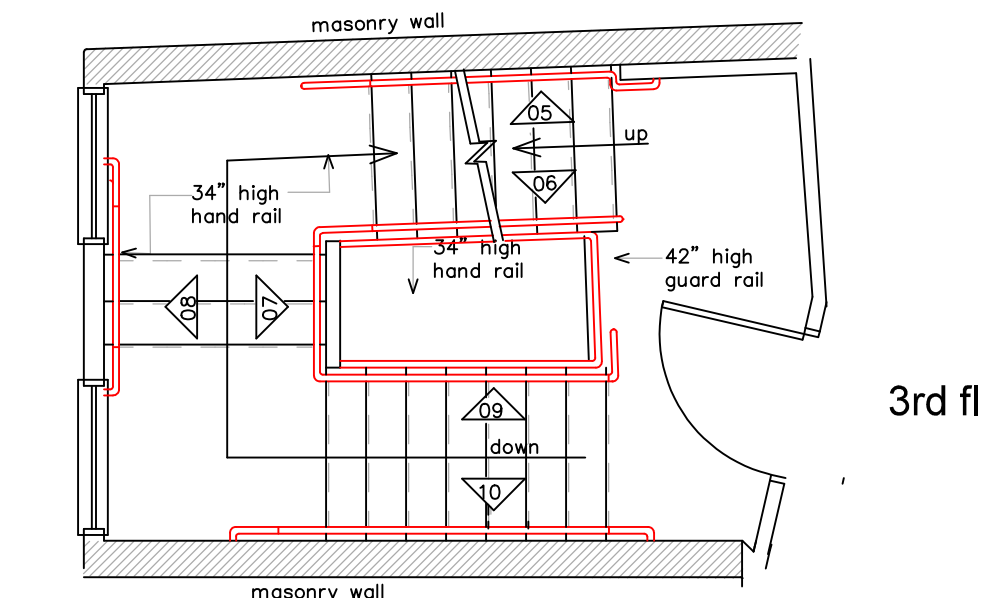
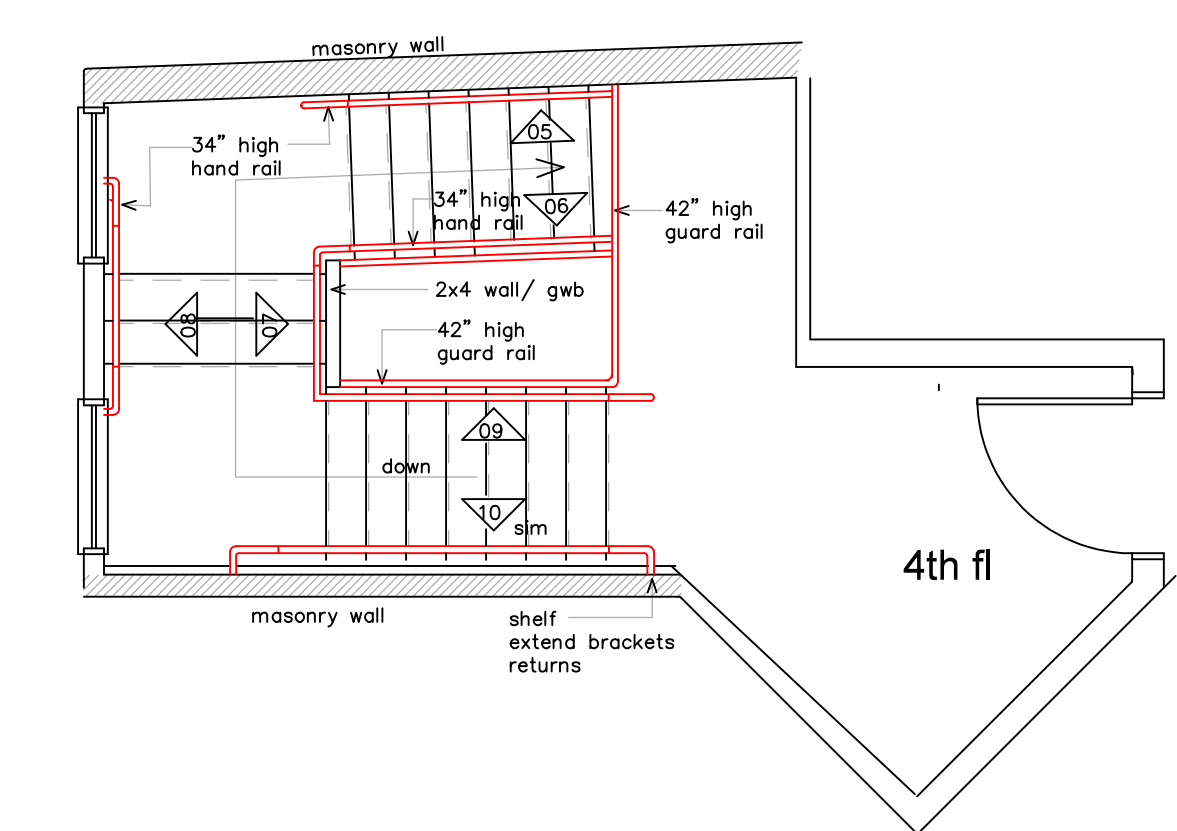
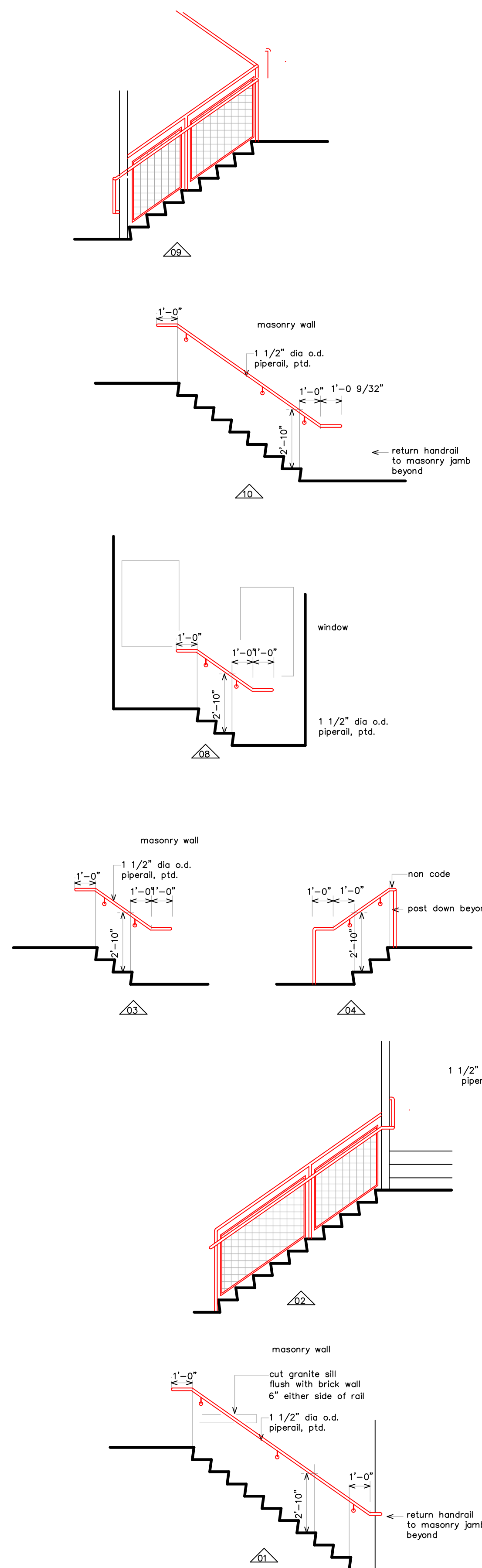
goduti/thomas architects

44 oak st.

portland, maine 04101

ph. 207-775-3184

fax 207-774-0846



revisions

date

january 17th, 2015

sheet title

**stair sections payson**



scale

1/4"=1'-0"

drawn by

RG

project number

brewer

sheet number

**PA3.1**