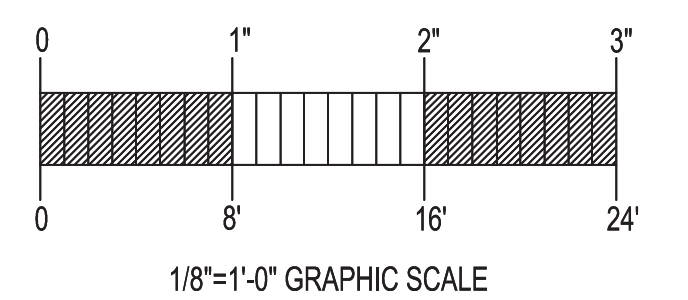
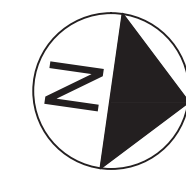


FIRE ALARM SYSTEM LAYOUT - FOURTH FLOOR

SCALE: 1/8"=1'



GENERAL NOTES	DATE	REVISIONS	REQUIRED APPROVALS	FIRE ALARM SYST
- SCOPE OF WORK: INSTALL NEW ADDRESSABLE FIRE ALARM SYSTEM. ALL INSTALLATION PRACTICES SHALL COMPLY WITH NFPA 70, 72			OWNER	PLANS & DETAIL
- PHASE 1: INSTALL NEW CONTROL PANEL			PORTLAND FIRE DEPARTMENT	DWG. NO. 3 OF 4
- PHASE 2: INSTALL NEW DEVICES			DRAWN BY CRM	JOB NUMBER
- PHASE 2 TO BEGIN IMMEDIATELY FOLLOWING PHASE 1			CHECKED BY MLT	SCALE AS SHOWN
- HORN LOCATIONS IN DWELLING UNITS ARE FOR REFERENCE ONLY. AUDIBILITY WILL BE FIELD TESTED AND LOCATIONS MAY CHANGE TO ACHIEVE 75 DB AT THE PILLOW AND 15 DB ABOVE AMBIENT SOUND THROUGHOUT UNIT			CONTRACTOR LICENSE #	DATE 1/23/13
			LONGFELLOW COMMONS 206 STATE ST. PORTLAND, ME CONTRACT WITH: WESTON ASSOCIATES MGMT	