

SUBMITTAL DATA: MSZ-D36NA & MUZ-D36NA
36,000 BTU/H WALL-MOUNTED HEAT-PUMP SYSTEM

| | | |
|---------------------|---------------------------------------------------------------------------------------------------------------------------|---------------|
| Job Name: Local 188 | Location: 685 Congress | Date: 5-27-15 |
| Purchaser: | Engineer: | |
| Submitted to: | For <input type="checkbox"/> Reference <input checked="" type="checkbox"/> Approval <input type="checkbox"/> Construction | |
| System Designation: | Schedule No.: | |

GENERAL FEATURES

- Catechin and anti-allergy enzyme filters for high air-purification capabilities
- Updated sleek, compact indoor unit design
- Remote-controlled wide airflow enables ideal horizontal air distribution
- Self-check function—onboard diagnostics
- Advanced microprocessor control
- Auto restart following a power outage
- Hand-held Wireless Remote Controller
- Anti-allergy Enzyme Filter
- Limited warranty: five years on parts and defects and seven years on compressors

OPTIONAL ACCESSORIES
Outdoor Unit

- Drain Socket Assembly (MAC-811DS)

Indoor Unit

- Condensate Pump (230V; SI3100-230)

Controller Options

- Wall-mounted Wired Remote Controller (PAR-21MAA; Requires MAC-3971F)
- M-NET Control Adapter (MAC-3991F)
- MA Contact Terminal Interface (MAC-3971F)

Cooling*

Rated Capacity 33,200 Btu/h
 Minimum Capacity 9,800 Btu/h
 SEER 14.5 Btu/h/W
 Total Input 4,360 W

Heating at 47° F*

Rated Capacity 35,200 Btu/h
 Minimum Capacity 8,700 Btu/h
 HSPF 8.2 Btu/h/W
 Total Input 3,840 W

Heating at 17° F*

Rated Capacity 21,800 Btu/h
 Maximum Capacity 22,800 Btu/h
 Maximum Total Input 3,000 W

* Rating Conditions (Cooling) - Indoor: 80°F (27°C) DB, 67°F (19°C) WB; Outdoor: 95°F (35°C) DB, 75°F (24°C) WB.

(Heating at 47° F) - Indoor: 70°F (21°C) DB, 60°F (16°C) WB; Outdoor: 47°F (8°C) DB, 43°F (6°C) WB.

(Heating at 17° F) - Indoor: 70°F (21°C) DB, 60°F (16°C) WB; Outdoor: 17°F (-8°C) DB, 15°F (-9°C) WB.

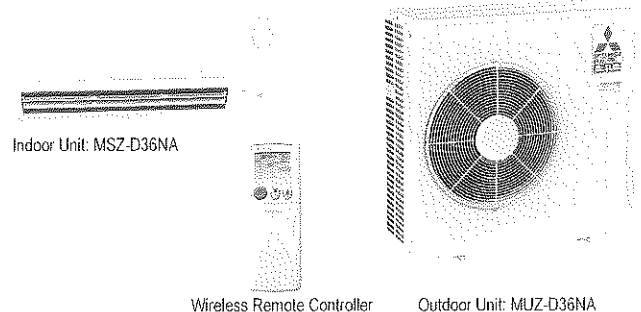
Power Supply 208 / 230V, 1-Phase, 60 Hz
 Breaker Size 25 A

Voltage

Indoor - Outdoor S1-S2 AC 208 / 230V
 Indoor - Outdoor S2-S3 DC 12-24V
 Indoor - Remote Controller Wireless

OPERATING RANGE

| | | Indoor Intake Air Temp. | | Outdoor Intake Air Temp. |
|---------|---------|--------------------------------|----------------------------------|--------------------------|
| Cooling | Maximum | 90°F (32°C) DB, 73°F (23°C) WB | 115°F (46°C) DB | |
| | Minimum | 67°F (19°C) DB, 57°F (14°C) WB | 14°F (-10°C) DB | |
| Heating | Maximum | 80°F (27°C) DB, 67°F (19°C) WB | 75°F (24°C) DB, 65°F (18°C) WB | |
| | Minimum | 70°F (27°C) DB, 60°F (16°C) WB | 14°F (-10°C) DB, 13°F (-11°C) WB | |


Indoor Unit

MCA 1 A
 Fan Motor 0.76 F.L.A.
 Airflow
 Cooling (Lo - Med - Hi - Powerful) 389 - 639 - 848 - 887 Dry CFM
 350 - 576 - 763 - 798 Wet CFM
 Heating (Lo - Med - Hi - Powerful) .445 - 639 - 848 - 887 Dry CFM

Sound Pressure Level

Cooling (Lo - Med - Hi - Powerful) 32 - 42 - 49 - 51 dB(A)
 Heating (Lo - Med - Hi - Powerful) 34 - 42 - 49 - 50 dB(A)

| DIMENSIONS | UNIT INCHES / MM |
|------------|------------------|
| W | 46-1/16 / 1,170 |
| D | 11-5/8 / 295 |
| H | 14-3/8 / 365 |

Weight 40 lbs. / 18 kg
 External Finish Munsell No. 1.0Y 9.2 / 0.2
 Field Drainpipe Size O.D. 5/8" / 15.88 mm
 Remote Controller Wireless
 (Optional Wired Remote Controller PAR-21MAA see Data Submittal Sheet)

Outdoor Unit

Compressor DC Inverter-driven Rotary
 MCA 21 A
 Fan Motor 0.93 F.L.A.
 Sound Pressure Level
 Cooling 56 dB(A)
 Heating 57 dB(A)

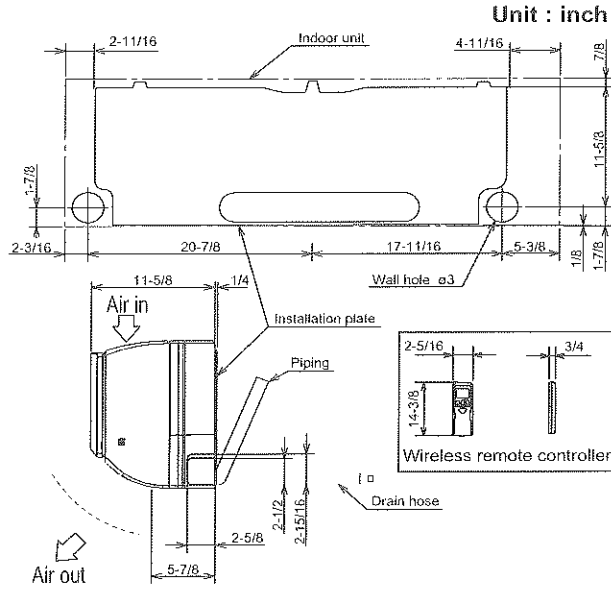
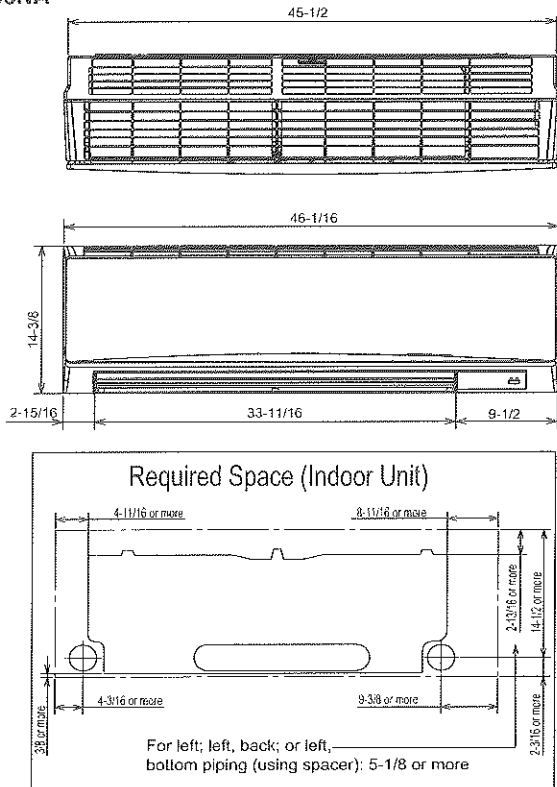
| DIMENSIONS | INCHES / MM |
|------------|---------------|
| W | 33-1/16 / 840 |
| D | 13 / 330 |
| H | 33-7/16 / 849 |

Weight 141 lbs. / 64 kg
 External Finish Munsell No. 3Y 7.8 / 1.1
 Refrigerant Type R410A
 Refrigerant Pipe Size O.D.
 Gas Side 5/8" / 15.88 mm
 Liquid Side 3/8" / 9.53 mm
 Max. Refrigerant Pipe Length 100' / 30 m
 Max. Refrigerant Pipe Height Difference 50' / 15 m
 Connection Method Flared



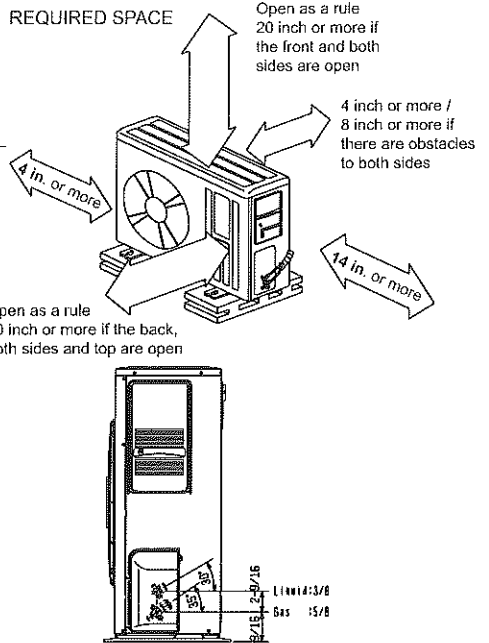
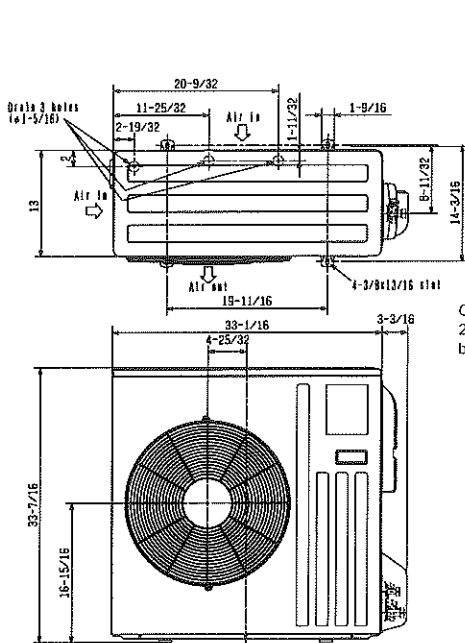
DIMENSIONS: MSZ-D36NA & MUZ-D36NA

MSZ-D36NA



| | Piping | Insulation |
|-------------|---------------------------------------------------------|------------------------------------------|
| Liquid line | $\phi 3/8$ 19-11/16 (Flared connection $\phi 3/8$) | $\phi 1-1/4$ O.D. $\phi 9/16$ I.D. |
| Gas line | $\phi 5/8$ 16-7/8 (Joint connection $\phi 5/8$) | $\phi 1-15/16$ O.D. $\phi 1-1/4$ I.D. |
| Joint | $\phi 5/8$ (Flared connection $\phi 5/8$) | $\phi 1-15/16$ O.D. $\phi 1-1/4$ I.D. |
| Drain hose | Insulation $\phi 1-1/8$ Connected part $\phi 9/16$ O.D. | |

MUZ-D36NA



Intertek



3400 Lawrenceville Suwanee Rd
Suwanee, GA 30024
Tele: 678-376-2900 • Fax: 800-889-9904
Toll Free: 800-433-4822 (#3)
www.mehvac.com
Specifications are subject to change without notice.