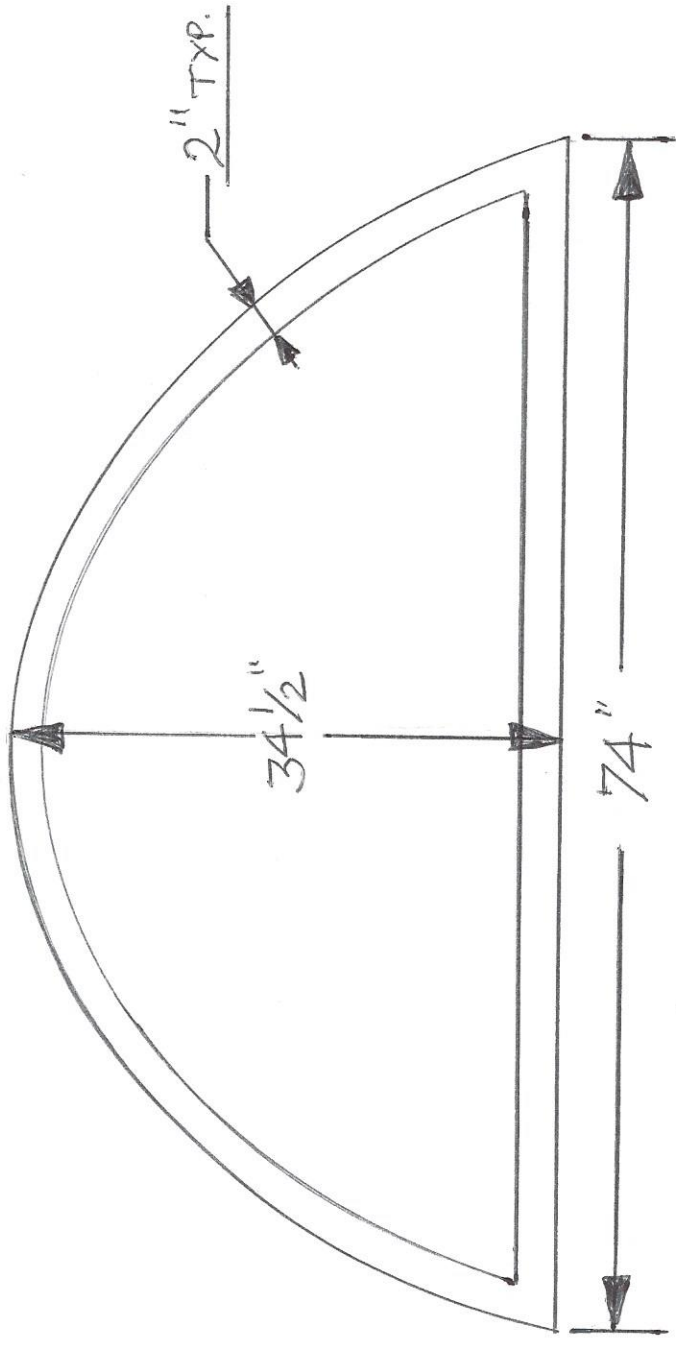


3RD FLOOR REPLACEMENT WINDOW



1. THE EXISTING WINDOW FRAME WAS SALVAGED + REPLICATED EXACTLY.
2. THE EXISTING GLASS WAS SINGLE PANE, THIS GLASS IS DOUBLE PANE.
3. THE WINDOW FRAME IS MADE OF SOLID MAHOGANY, AS PER ORIGINAL.
4. THE SIZE OF THIS REPLACEMENT IS SAME AS ORIGINAL, NO REFRAMING AT ALL.
5. THIS WINDOW MATCHES THE 1924 TAX PHOTO OF THE PROPERTY.
6. THIS WINDOW OPENING HAS BEEN COVERED WITH PLYWOOD FOR THE LAST EIGHT YEARS.