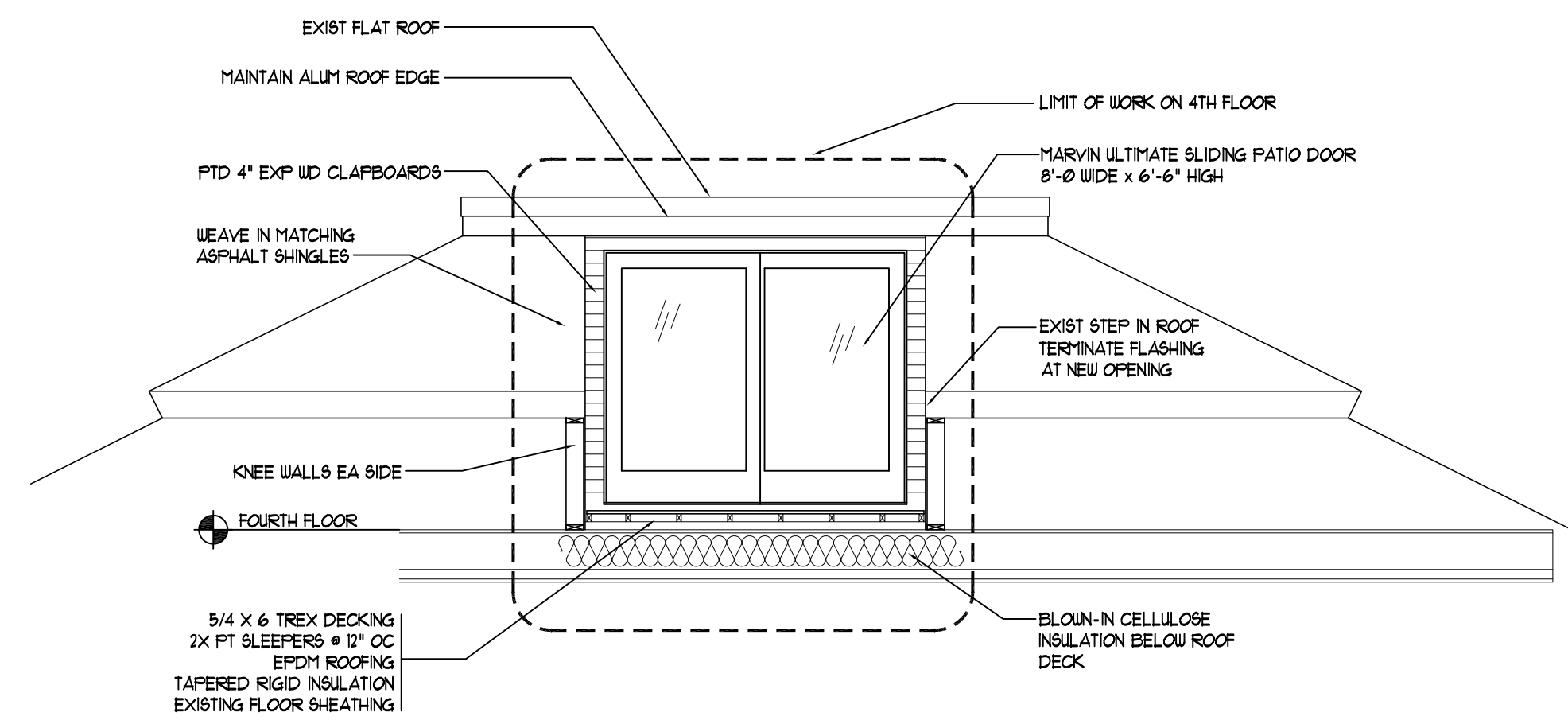
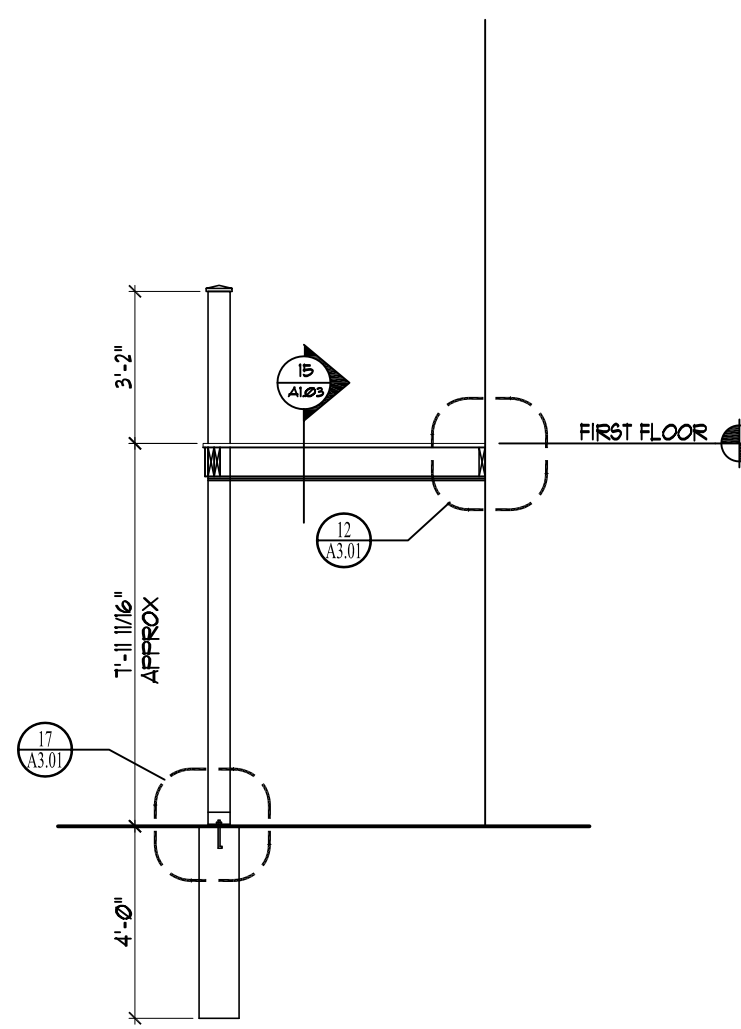


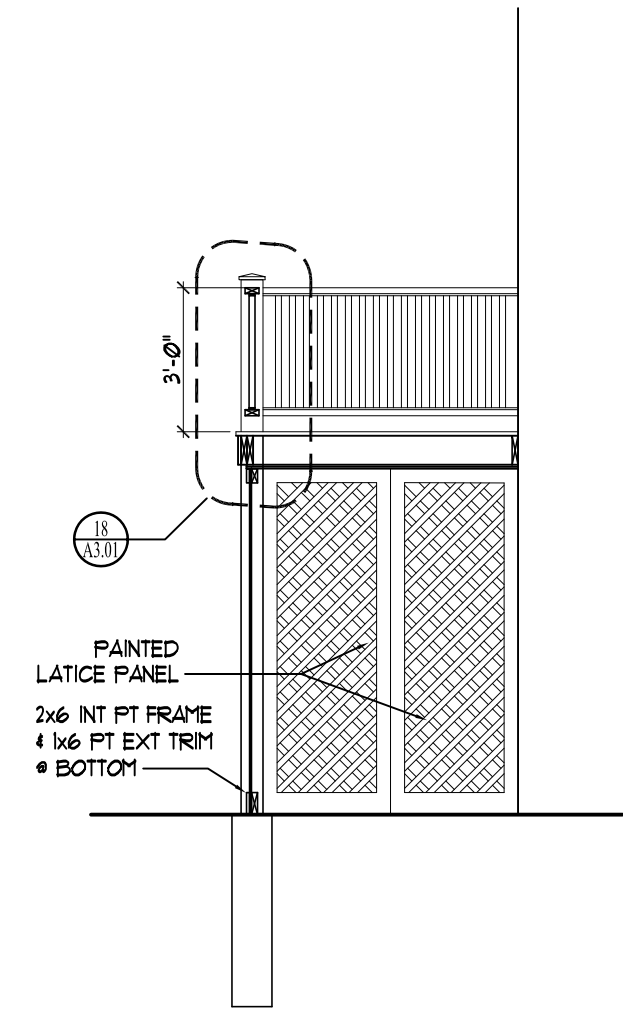
1 DORMER SECTION
 SCALE: 1/4"=1'-0"



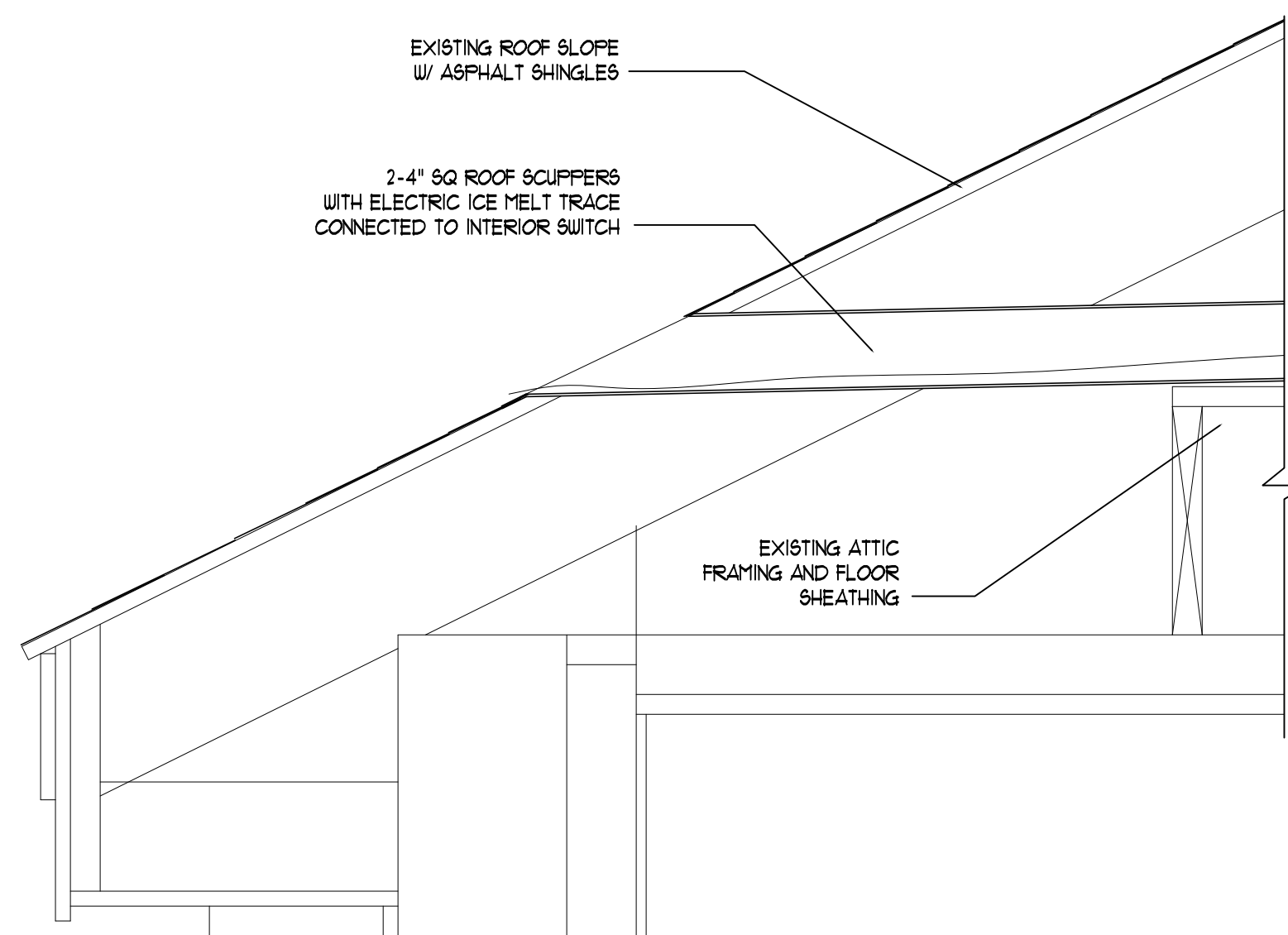
3 DORMER SECTION
 SCALE: 1/4"=1'-0"



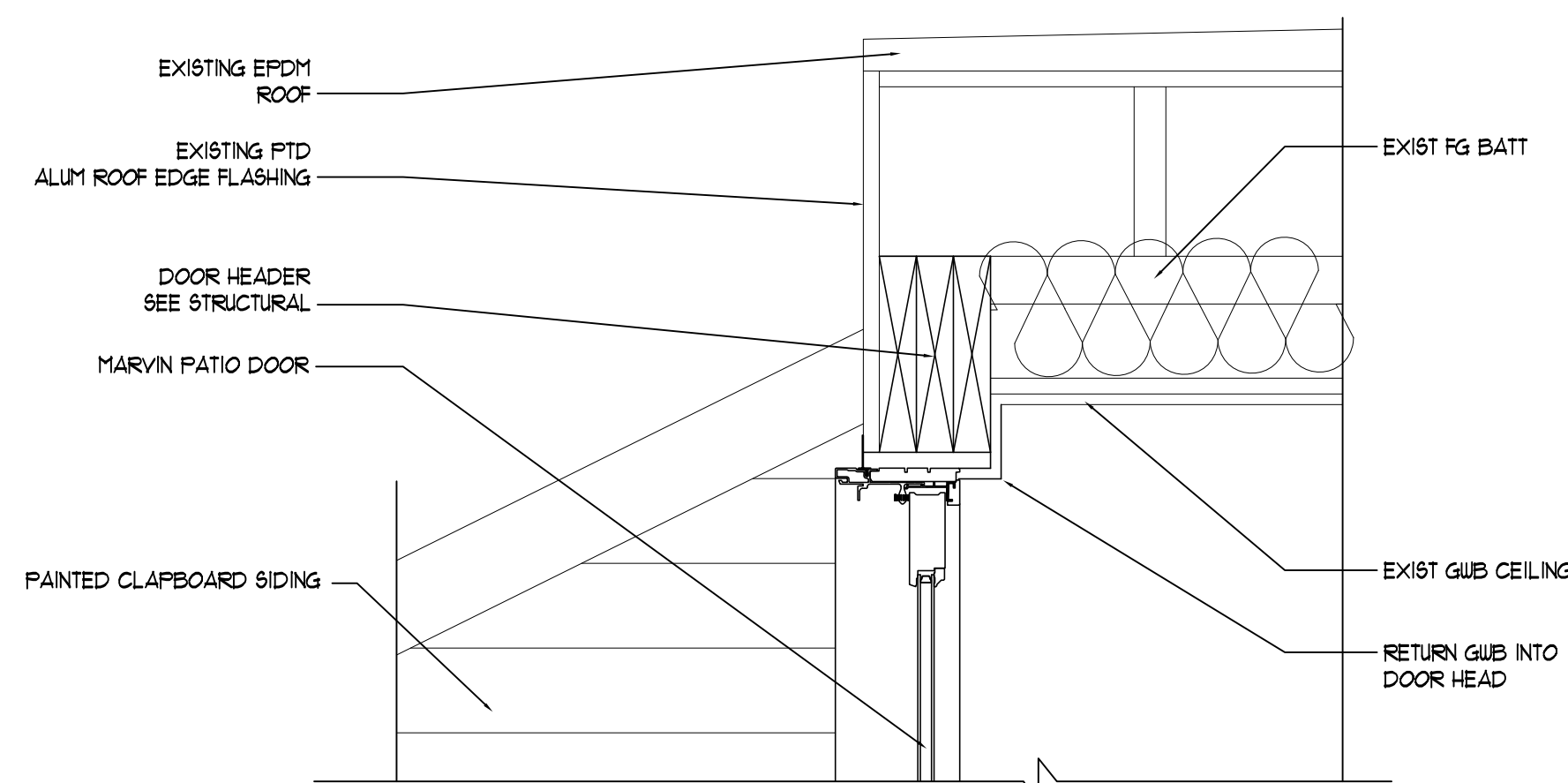
5 DECK SECTION @ POST
 SCALE: 1/4"=1'-0"



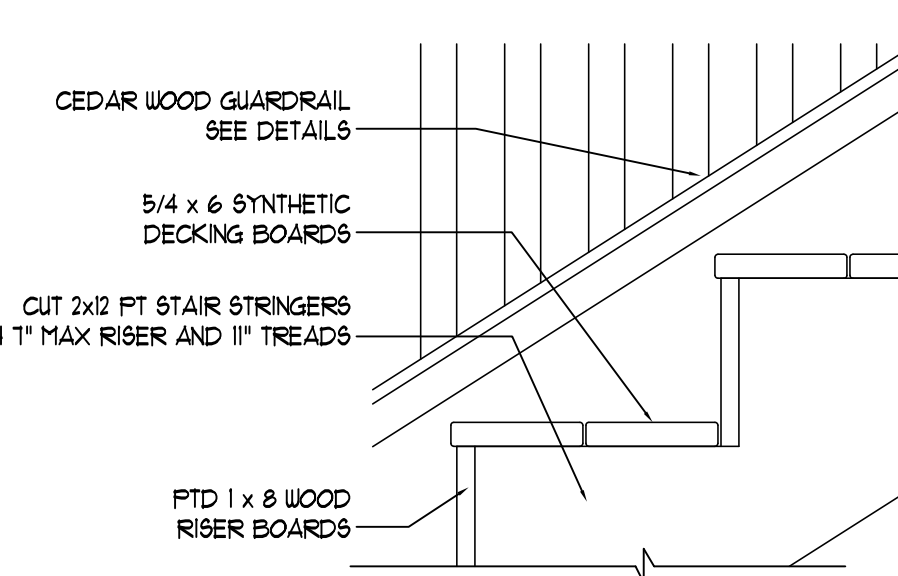
6 DECK SECTION @ RAIL
 SCALE: 1/4"=1'-0"



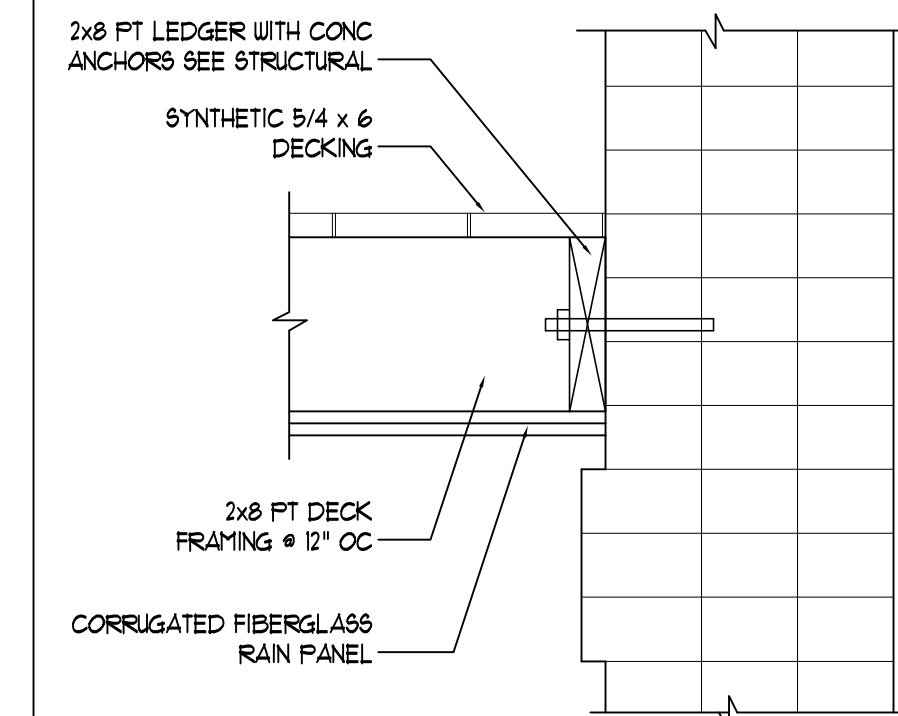
7 DORMER DETAIL @ SCUPPER
 SCALE: 1 1/2"=1'-0"



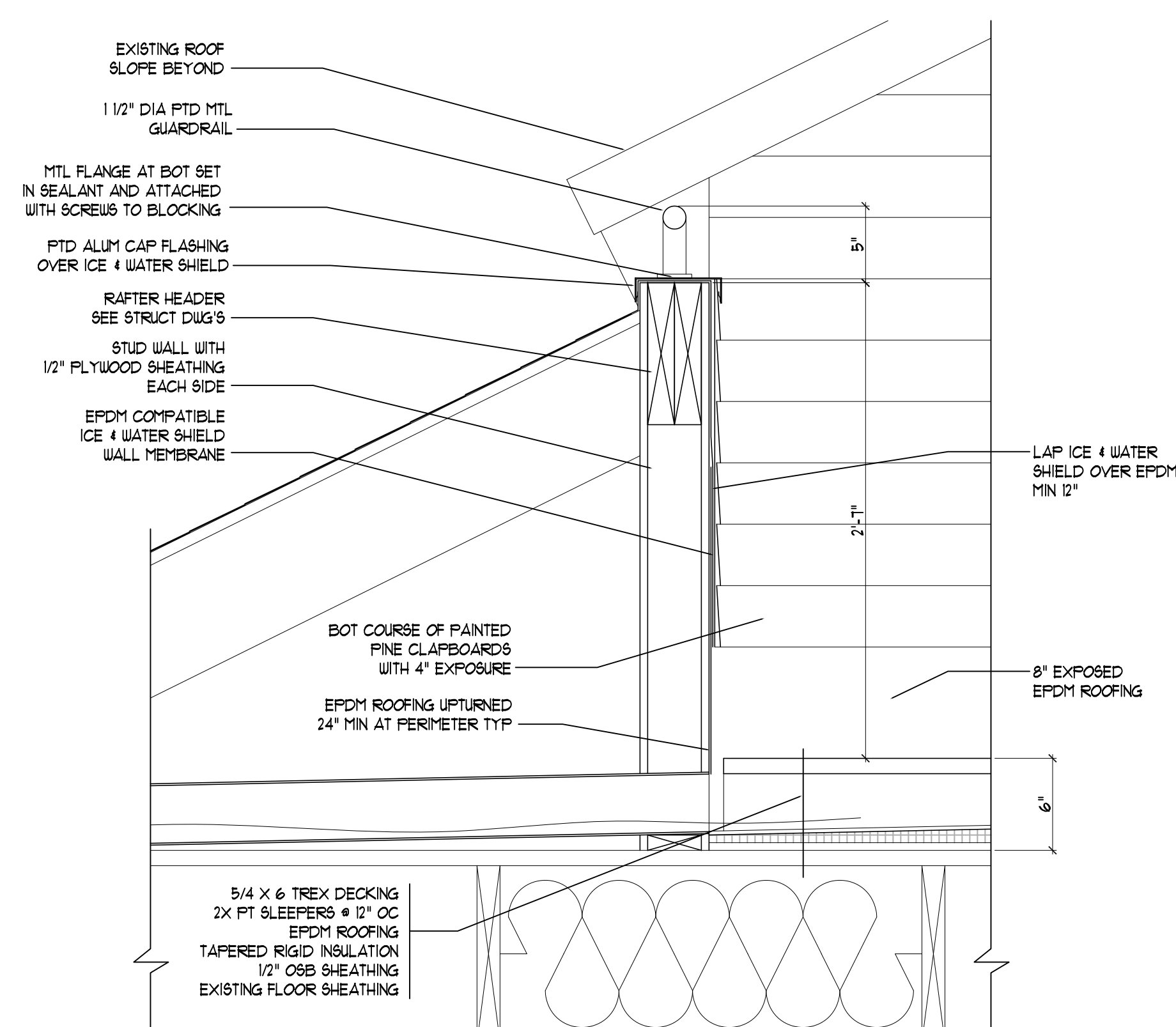
9 DORMER DETAIL @ HEAD OF DOOR
 SCALE: 1 1/2"=1'-0"



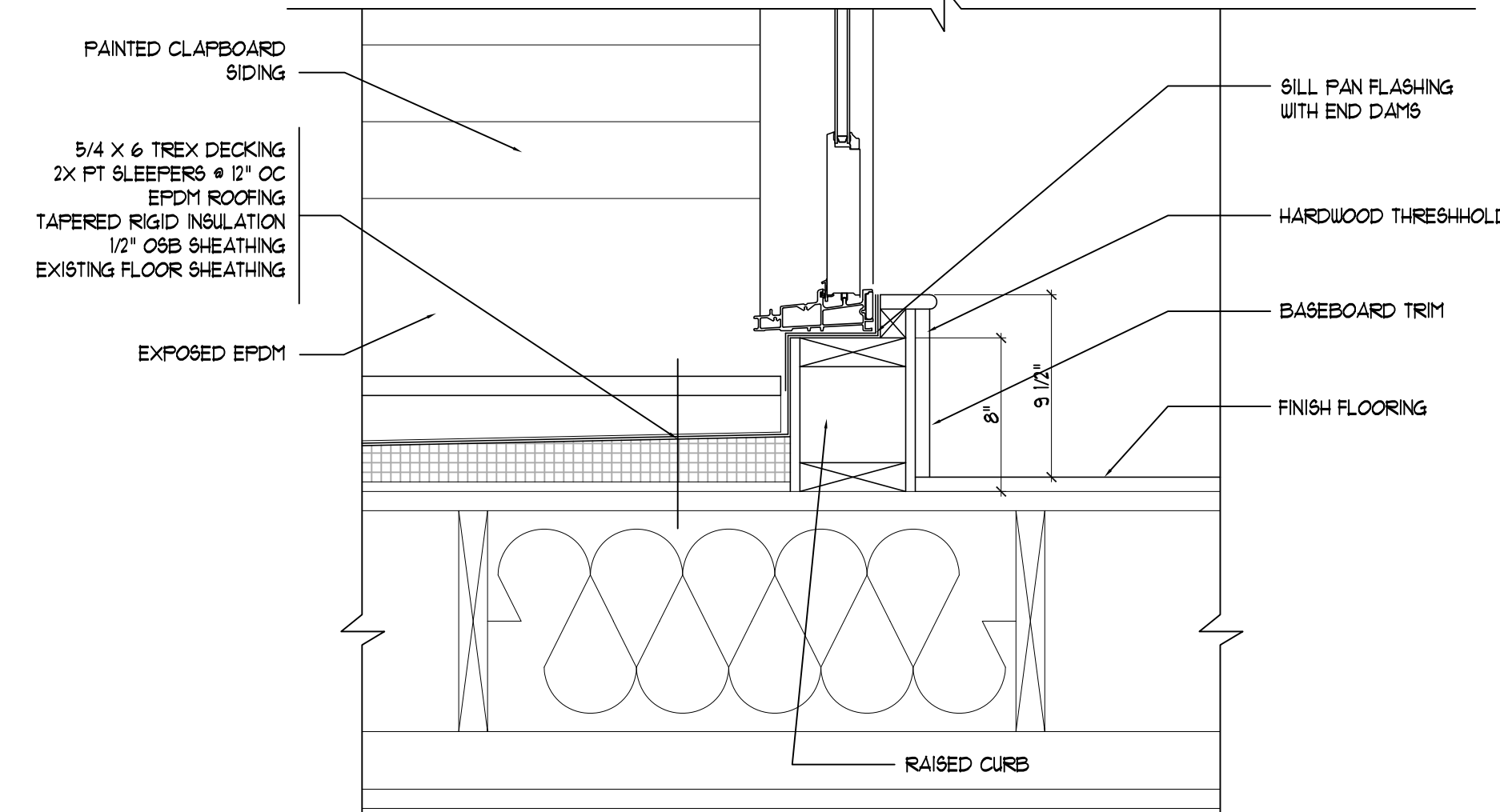
11 DECK DETAIL @ STAIR
 SCALE: 1 1/2"=1'-0"



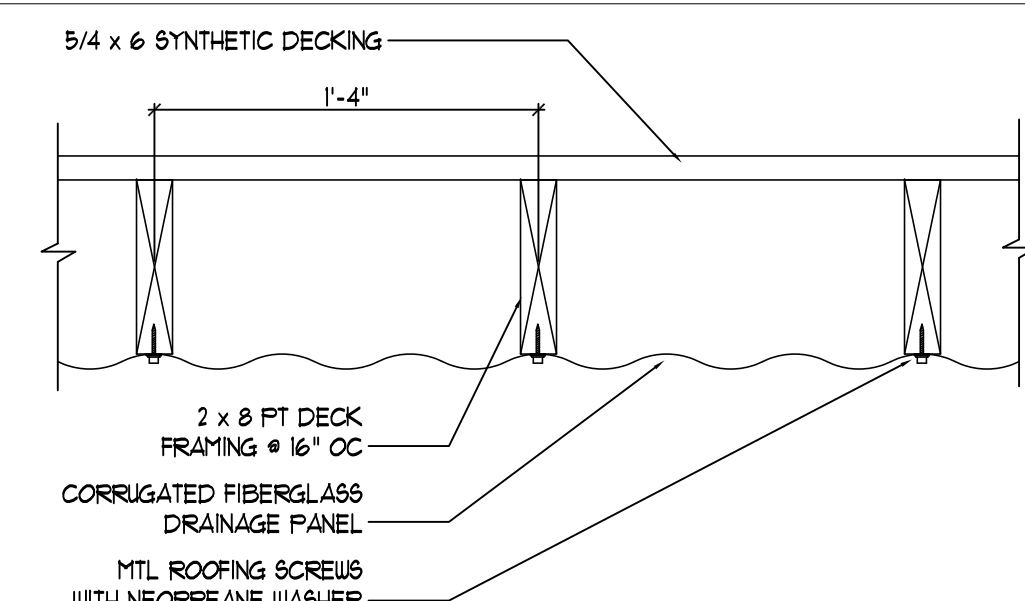
12 DECK DETAIL @ LEDGER
 SCALE: 1 1/2"=1'-0"



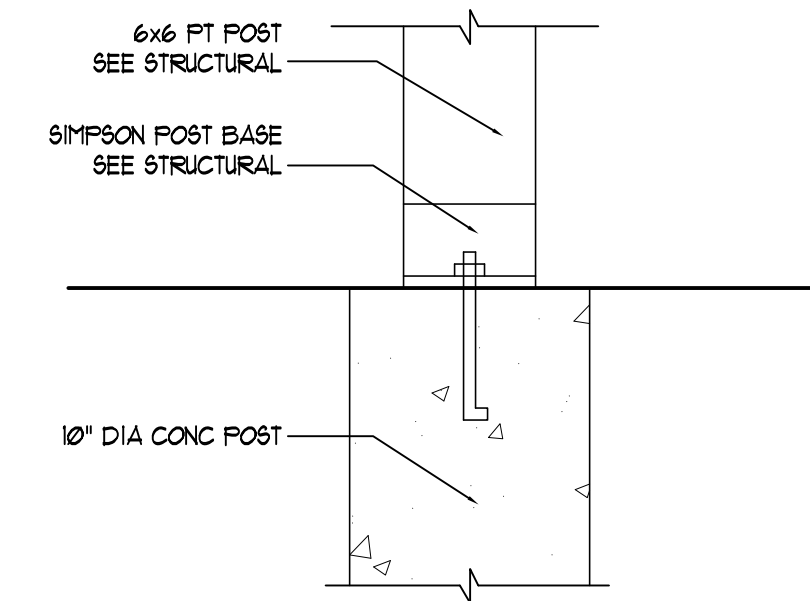
13 DORMER DETAIL @ LOW WALL
 SCALE: 1 1/2"=1'-0"



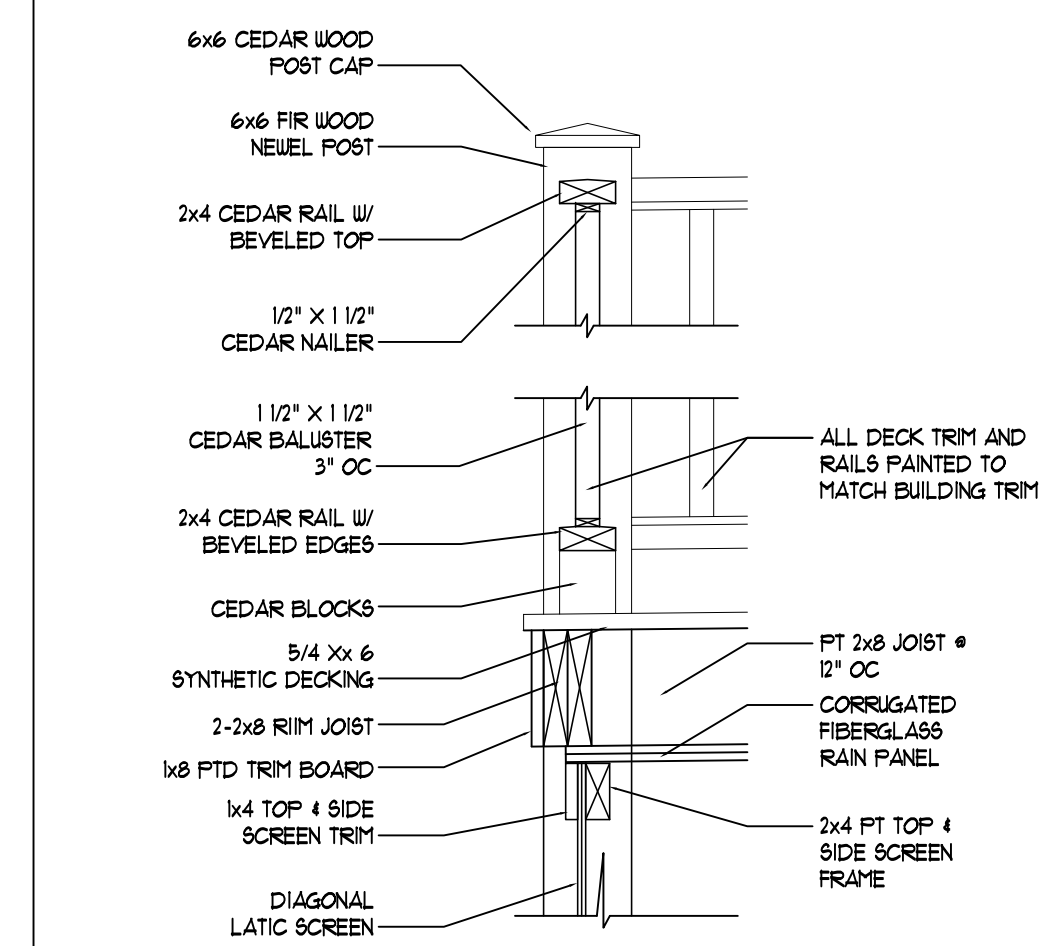
14 DORMER DETAIL @ SILL OF DOOR
 SCALE: 1 1/2"=1'-0"



15 DECK CROSS SECTION DETAIL
 SCALE: 1 1/2"=1'-0"



17 DECK DETAIL @ FOOTING
 SCALE: 1 1/2"=1'-0"



18 DECK SECTION @ RAIL
 SCALE: 1"=1'-0"

Prepared For:
 Congress Place West, LLC
 C/O 10 Dana Street, Suite 400
 Portland, ME 04101
 Attn: Thomas W. Moulton

Consulting Engineer:
Structural Integrity
 77 Oak Street Portland, Maine 04101
 (207) 772-6022 Fax (207) 772-4056

Architect:
ARCHETYPE
 architects
 48 Union Wharf Portland, Maine 04101
 (207) 772-6022 Fax (207) 772-4056

Project:
Condominium Plans
 Longfellow Place
 Condominium
 727 CONGRESS STREET
 PORTLAND, CUMBERLAND COUNTY, MAINE

Revisions:

Scale: As Noted

Date: 6 APRIL 2012

A3.01

BUILDING SECTION