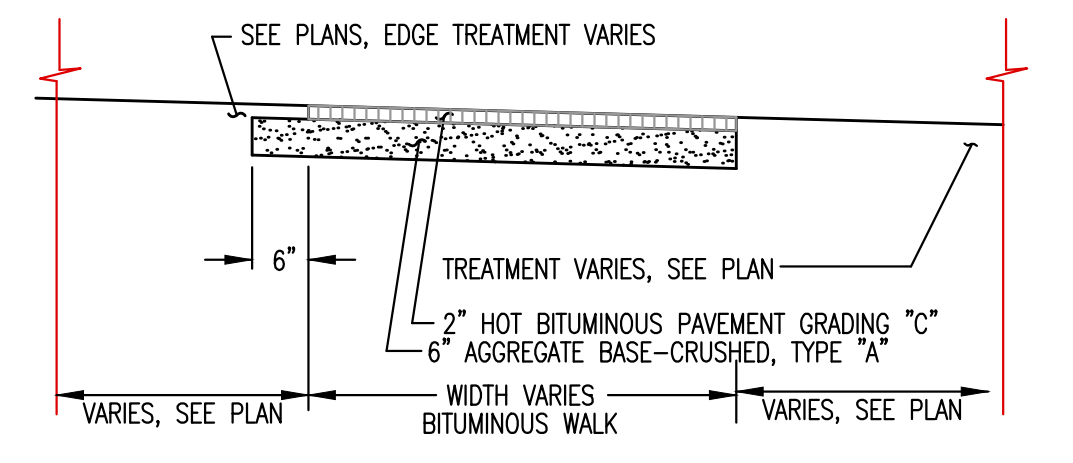
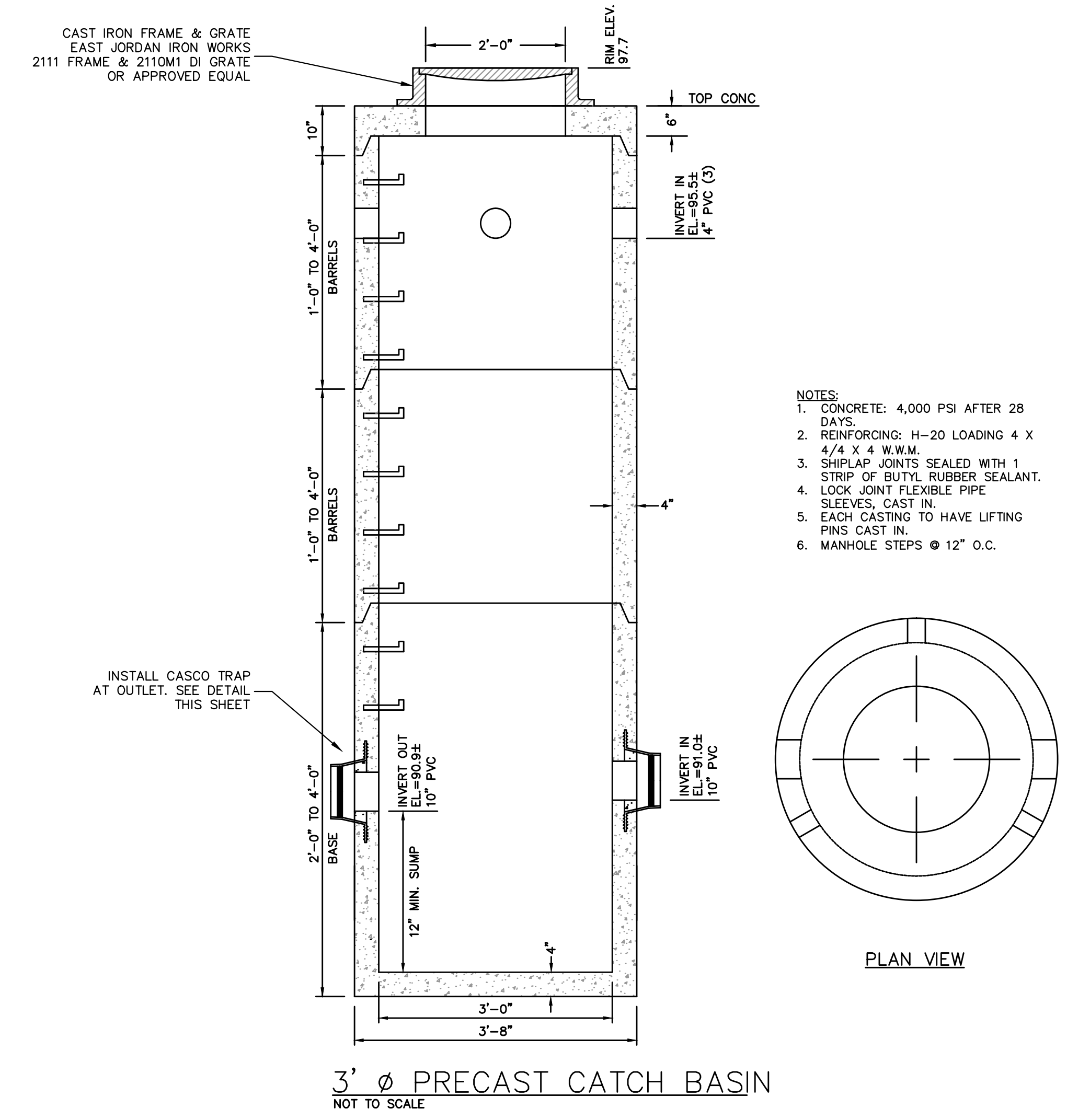


- INSTALLATION:
- EXCAVATE A 6"x 6" TRENCH ALONG THE LINE OF PLACEMENT FOR THE FILTER BARRIER.
 - UNROLL A SECTION AT A TIME AND POSITION THE POSTS AGAINST THE BACK (DOWNSTREAM) WALL OF THE TRENCH.
 - DRIVE POSTS INTO THE GROUND UNTIL APPROXIMATELY 2" OF FABRIC IS LYING ON THE TRENCH BOTTOM. JOIN SECTION AS SHOWN ABOVE.
 - LAY THE TOE-IN FLAP OF FABRIC ONTO THE UNDISTURBED BOTTOM OF THE TRENCH, BACKFILL THE TRENCH AND TAMP THE SOIL. TOE-IN CAN ALSO BE ACCOMPLISHED BY LAYING THE FABRIC FLAP ON UNDISTURBED GROUND AND PILING AND TAMPING FILL AT THE BASE, BUT MUST BE ACCOMPANIED BY AN INTERCEPTION DITCH.
 - BARRIER SHALL BE MIRAFI SILT FENCE OR APPROVED EQUAL.

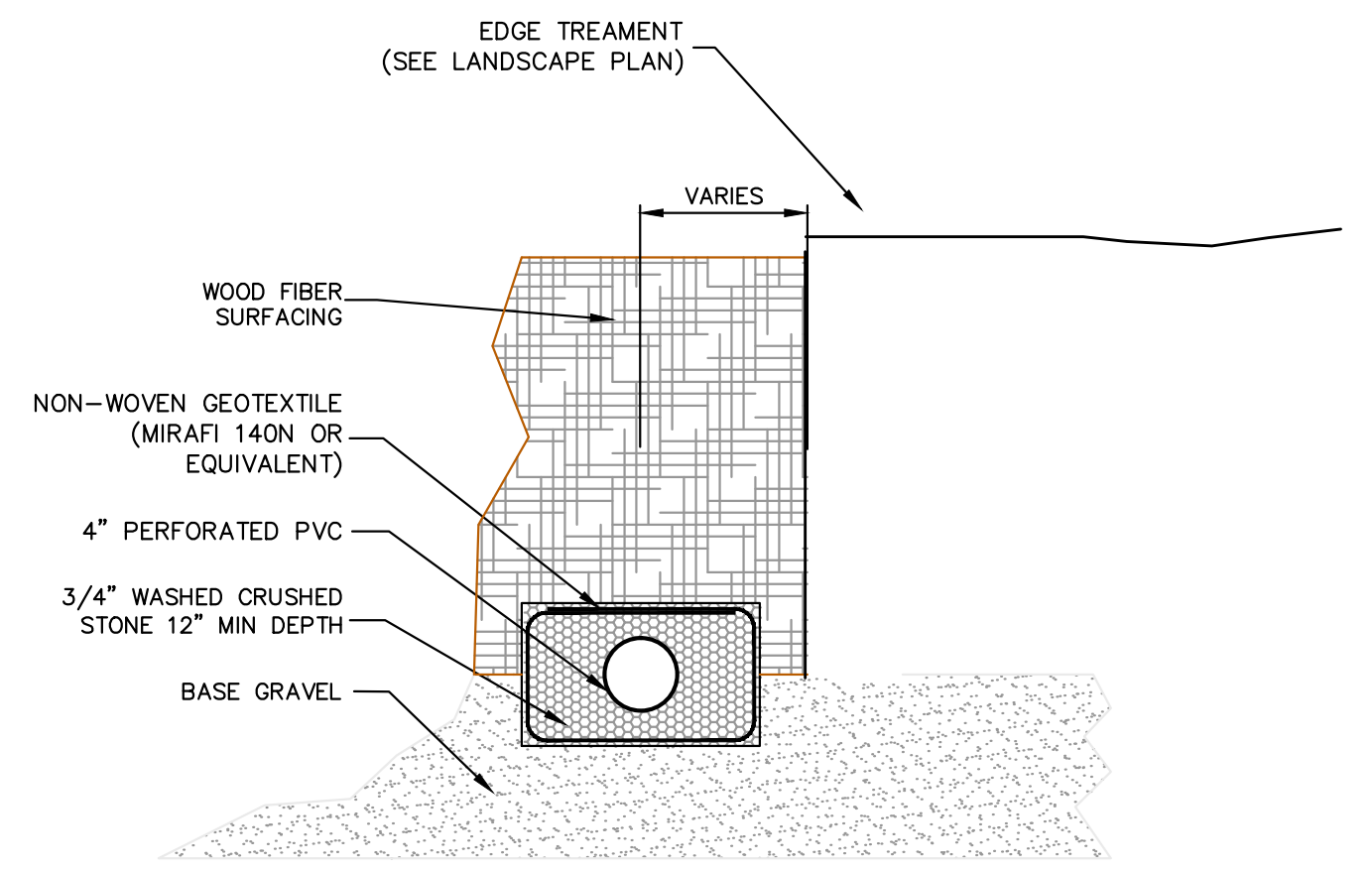
SILT FENCE DETAIL
NOT TO SCALE



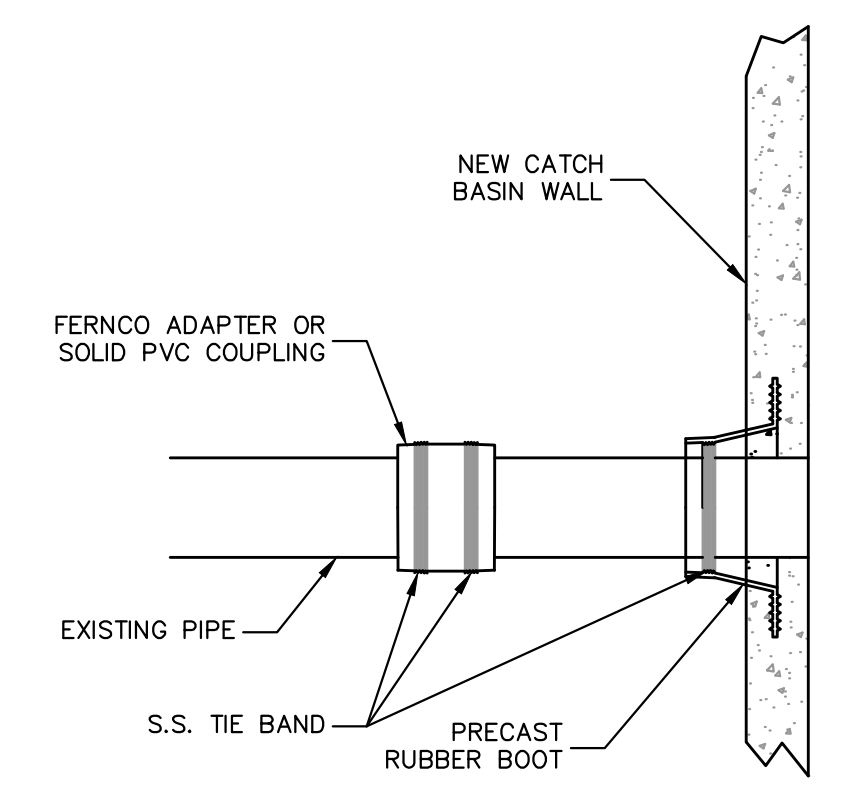
ASPHALT WALK DETAIL
NOT TO SCALE



3' Ø PRECAST CATCH BASIN
NOT TO SCALE

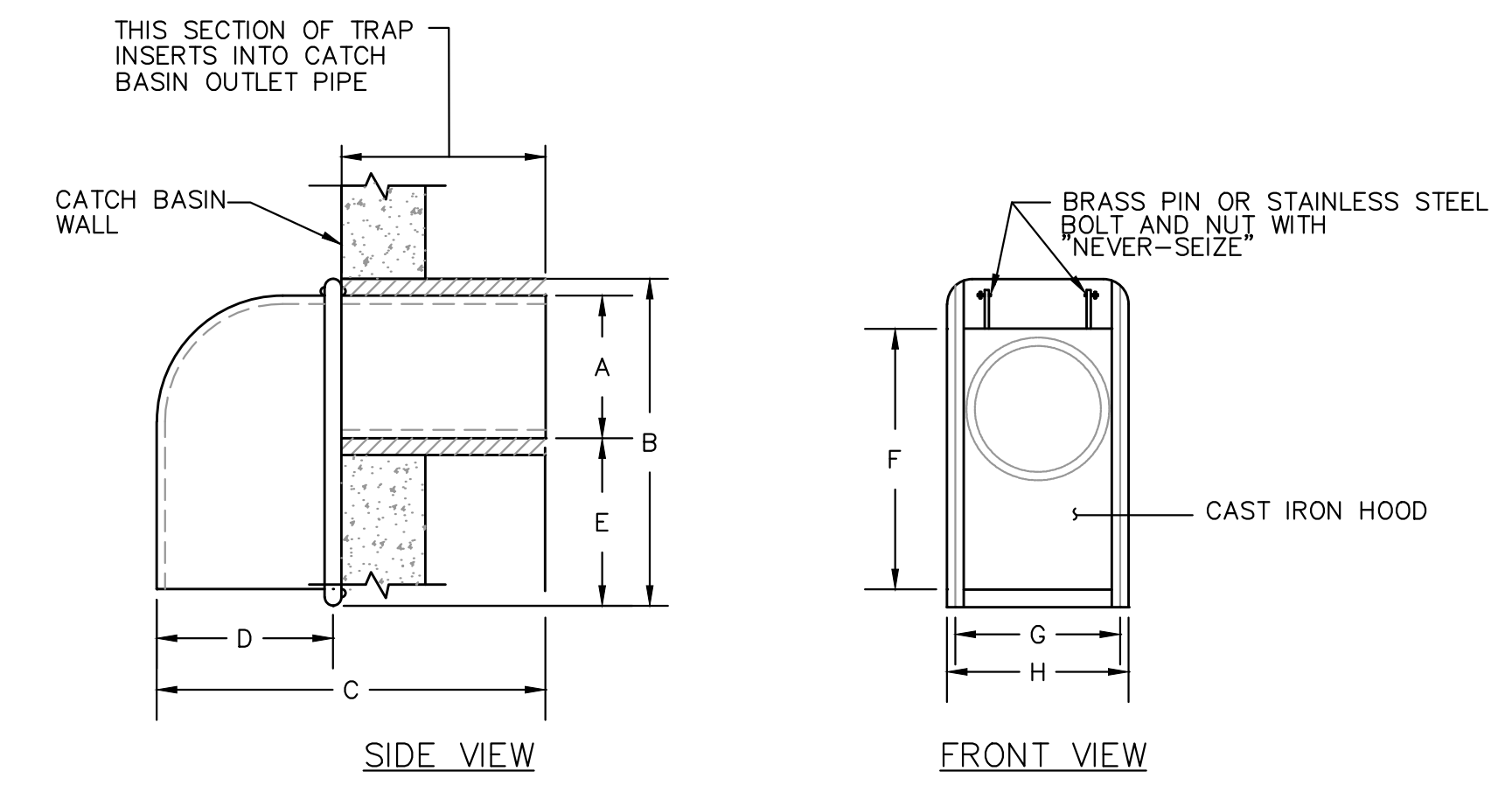


SUBSURFACE DRAIN DETAIL
NOT TO SCALE



NOTE: EXISTING PIPE INTO NEW STRUCTURE

PVC PIPE CONNECTION
NOT TO SCALE

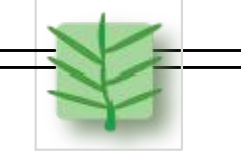


SIZE	A	B	C	D	E	F	G	H
6 in.	5 1/2"	13 3/8"	13 3/4"	5 3/8"	5 7/8"	11 5/8"	6 1/2"	7 1/4"
8 in.	7 1/2"	15"	15 3/8"	5 1/2"	5 3/8"	13 3/4"	8 3/4"	9 3/8"
10 in.	9 1/2"	16"	16 1/4"	6"	4 1/2"	14 1/8"	11 1/2"	12 3/8"
12 in.	11 1/2"	17"	22"	8"	3 1/2"	17"	12 1/2"	13 3/8"
15 in.	14 1/2"	22 1/2"	23"	10 1/4"	5 3/4"	21"	14 1/2"	15 3/4"

NOTE: CONTRACTOR UTILIZE THE "CASCO TRAP" AS MANUFACTURED BY THE ETHERIDGE FOUNDRY OR APPROVED EQUAL, AS BY THE LEBARON FOUNDRY, MODEL # L, 202 "STANDARD CATCH BASIN TRAP"

CASCO TRAP DETAIL
NOT TO SCALE

DEERING PLACE
510 Cumberland Ave.
Portland, ME 04101



Regina S. Leonard
landscape architecture & design
29 Bridge Street
Topsham, Me 04086
Tel. 207.450.9700
Regina@rslsdesign.com

DESIGNED BY: RSL
DRAWN BY: RSL
CHECKED BY: RSL

LANDMARK CORPORATION
SURVEYORS & ENGINEERS
219 MEADOW STREET
ROCKFORD, MAINE 04856
PHONE: (207) 236-6757
WWW.LANDMARKMAINE.COM

DEERING PLACE
PLAYSPACE
510 CUMBERLAND AVENUE

DATE	REVISION

DETAILS

CONTRACT: OA14
DATE: 5/20/14
SCALE: As Noted

L5
5
of 5