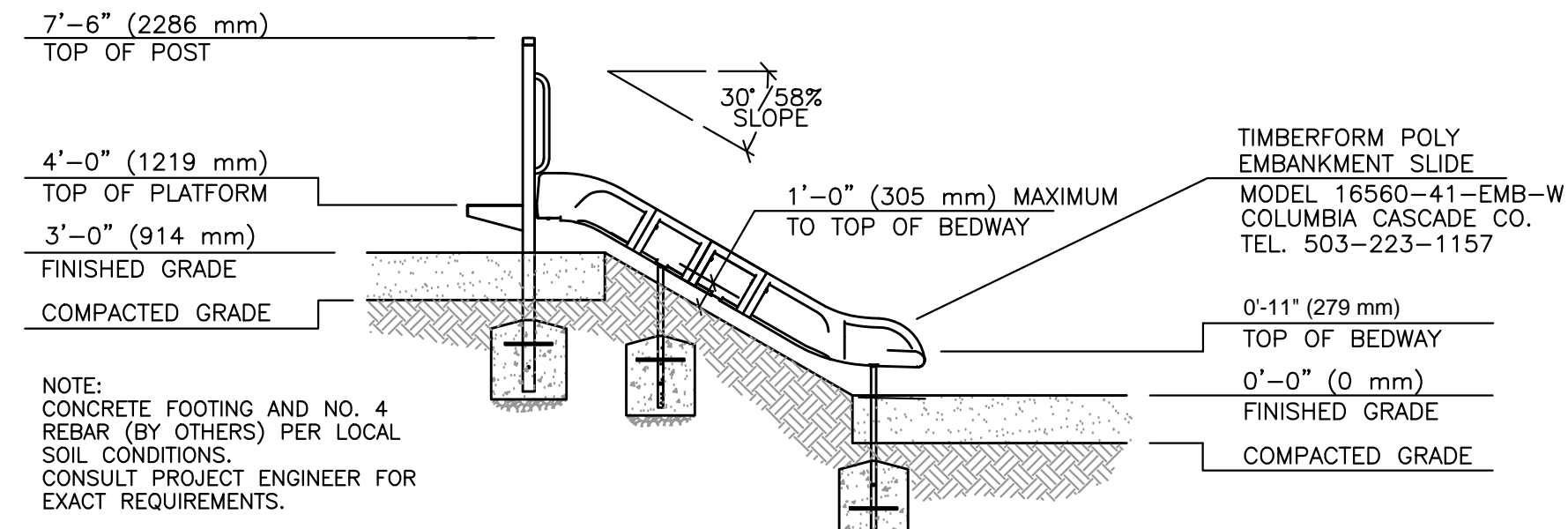
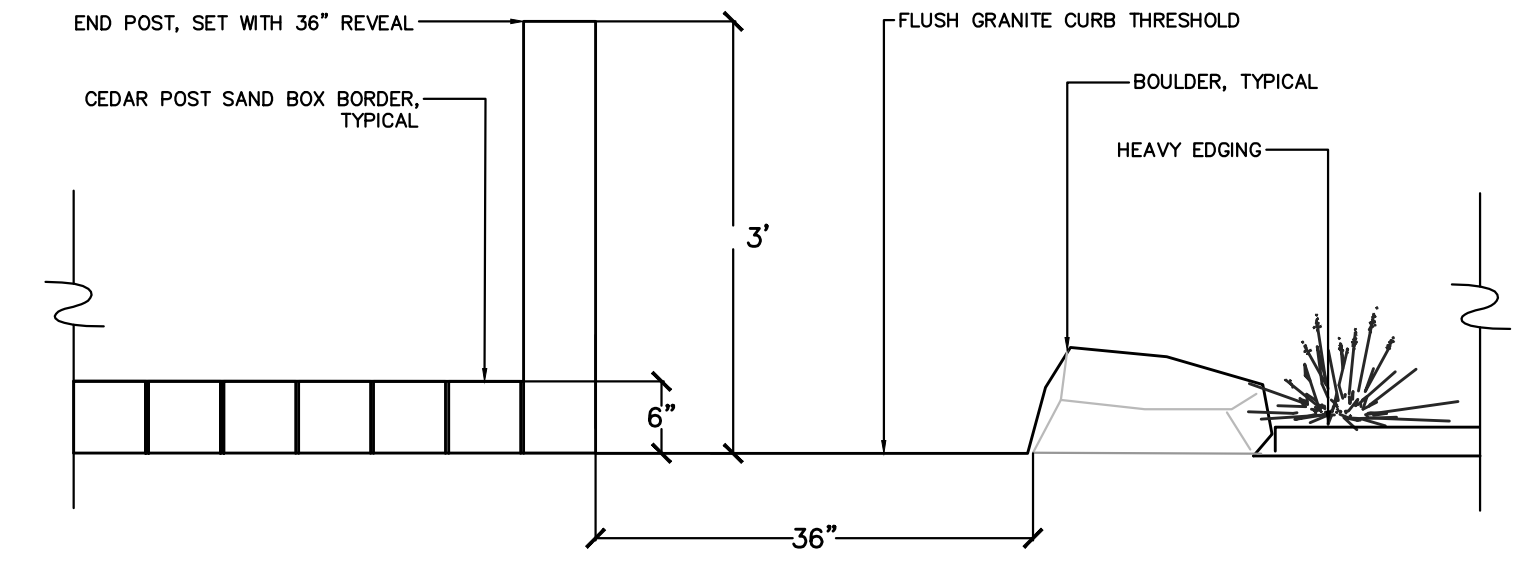


NOTES:
 1) HANDHOLDS TO BE SUPPLIED BY ATOMIK CLIMBING HOLDS, INC., 1478 NORTH 150 EAST, SPRINGVILLE, UT 84663; TEL. (800) 365-4820 OR APPROVED EQUAL.
 2) MODEL AND QUANTITY: SET OF (GREEN) "THE ALLIGATOR" BOLT-ON HOLDS WITH STAINLESS STEEL OUTDOOR HARDWARE, 1-1/2" LENGTH.
 3) PLACEMENT: TO BE FIELD LOCATED BY LANDSCAPE ARCHITECT.
 4) MOUNTING PER MANUFACTURER'S INSTRUCTIONS. ALL APPLICABLE WORK SHALL CONFORM TO OPCS PLAYGROUND SAFETY STANDARDS.

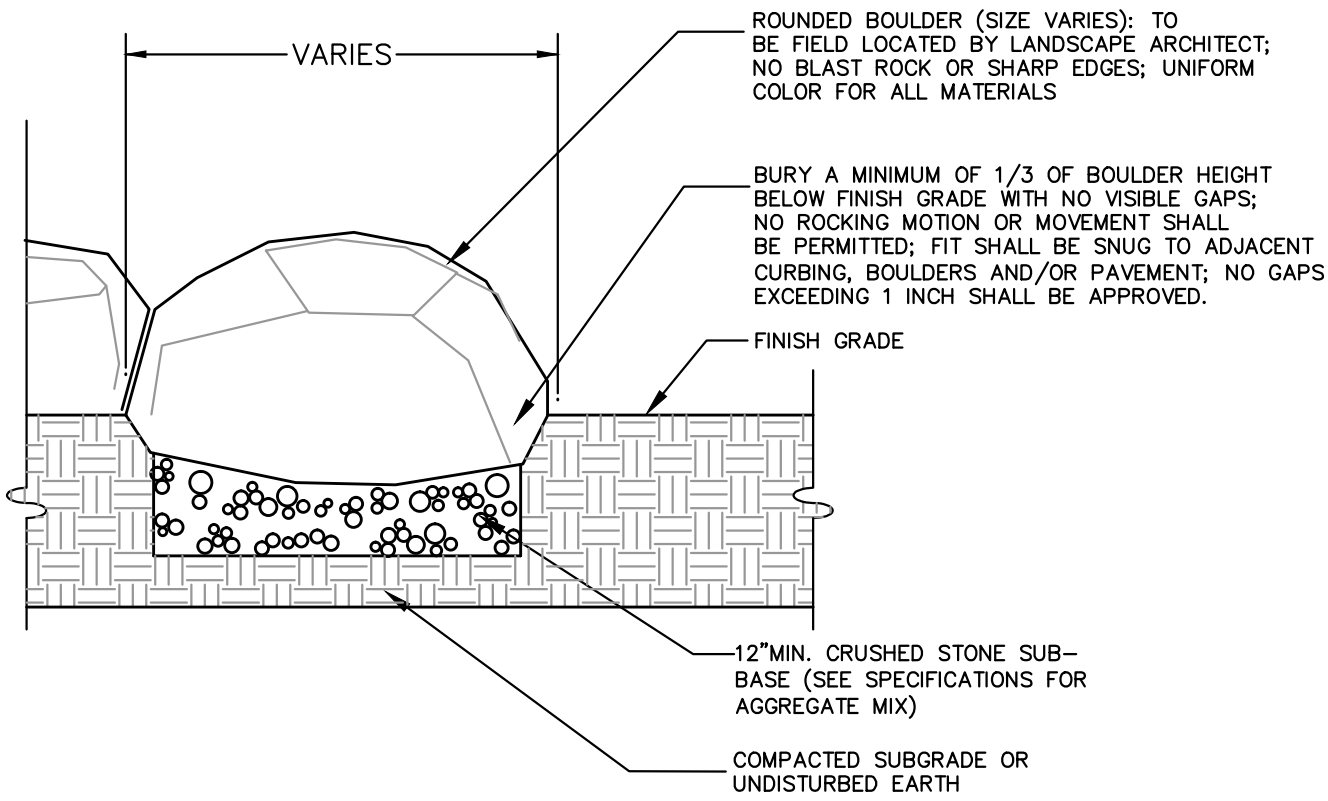
GRANITE RAMP DETAIL
 NOT TO SCALE



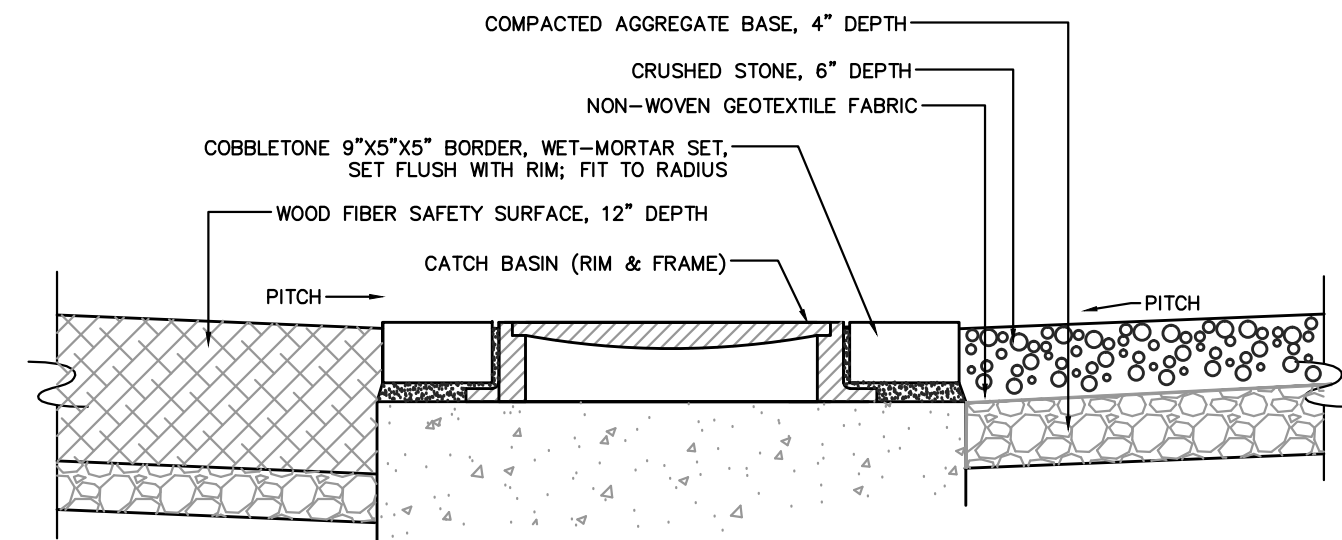
EMBANKMENT SLIDE DETAIL
 NOT TO SCALE



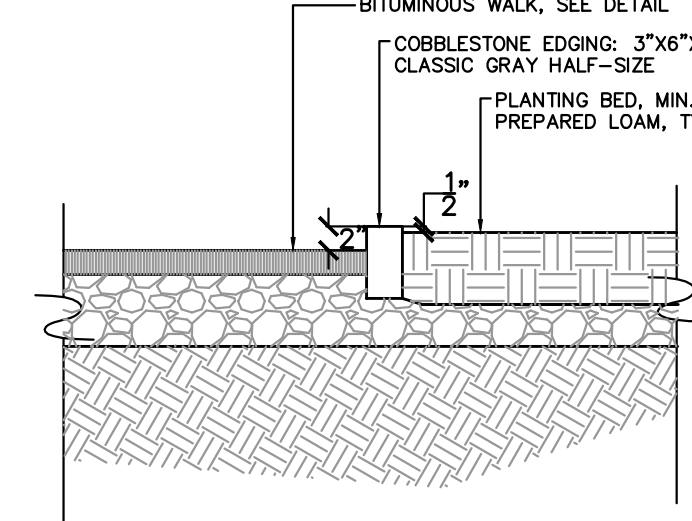
CEDAR POST EDGE ELEVATION
 NOT TO SCALE



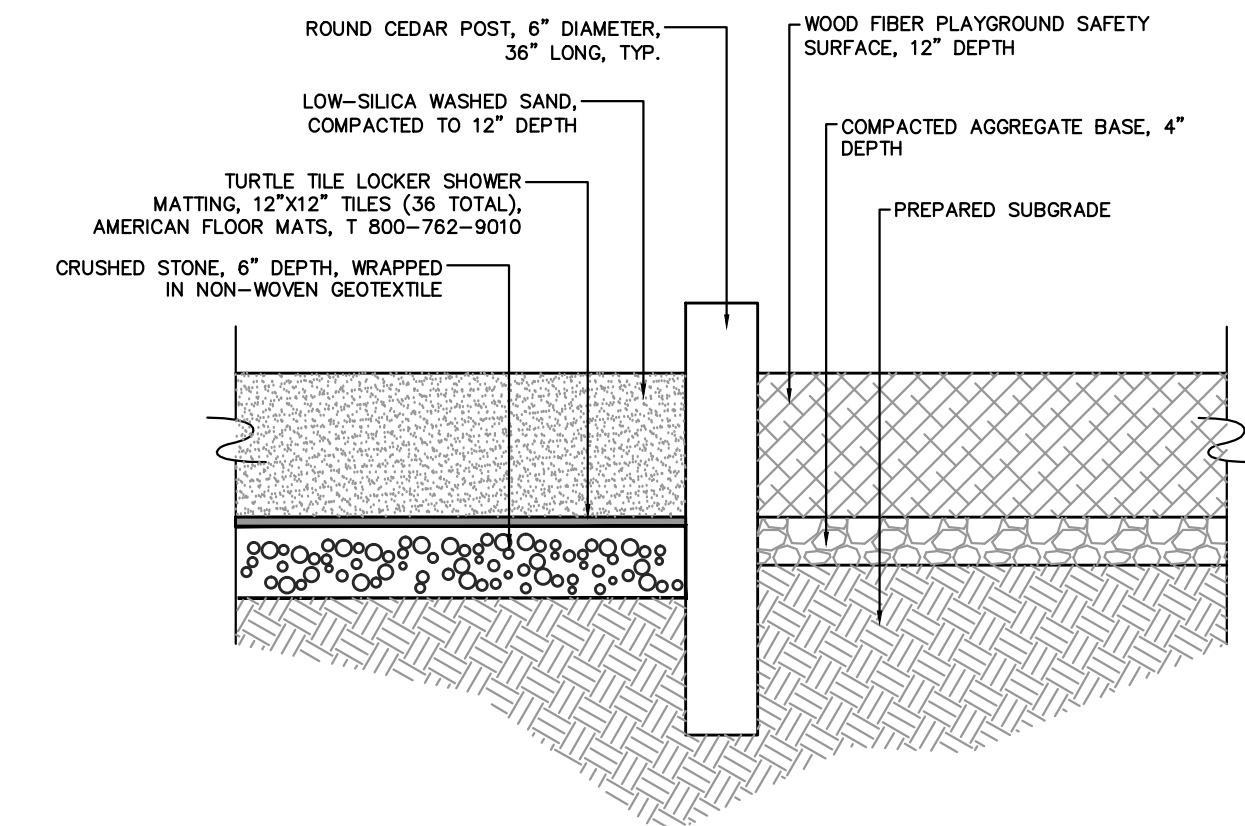
BOULDER DETAIL
 NOT TO SCALE



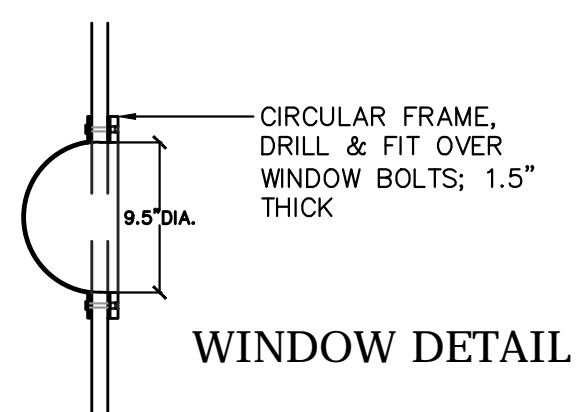
CATCH BASIN EDGING DETAIL
 NOT TO SCALE



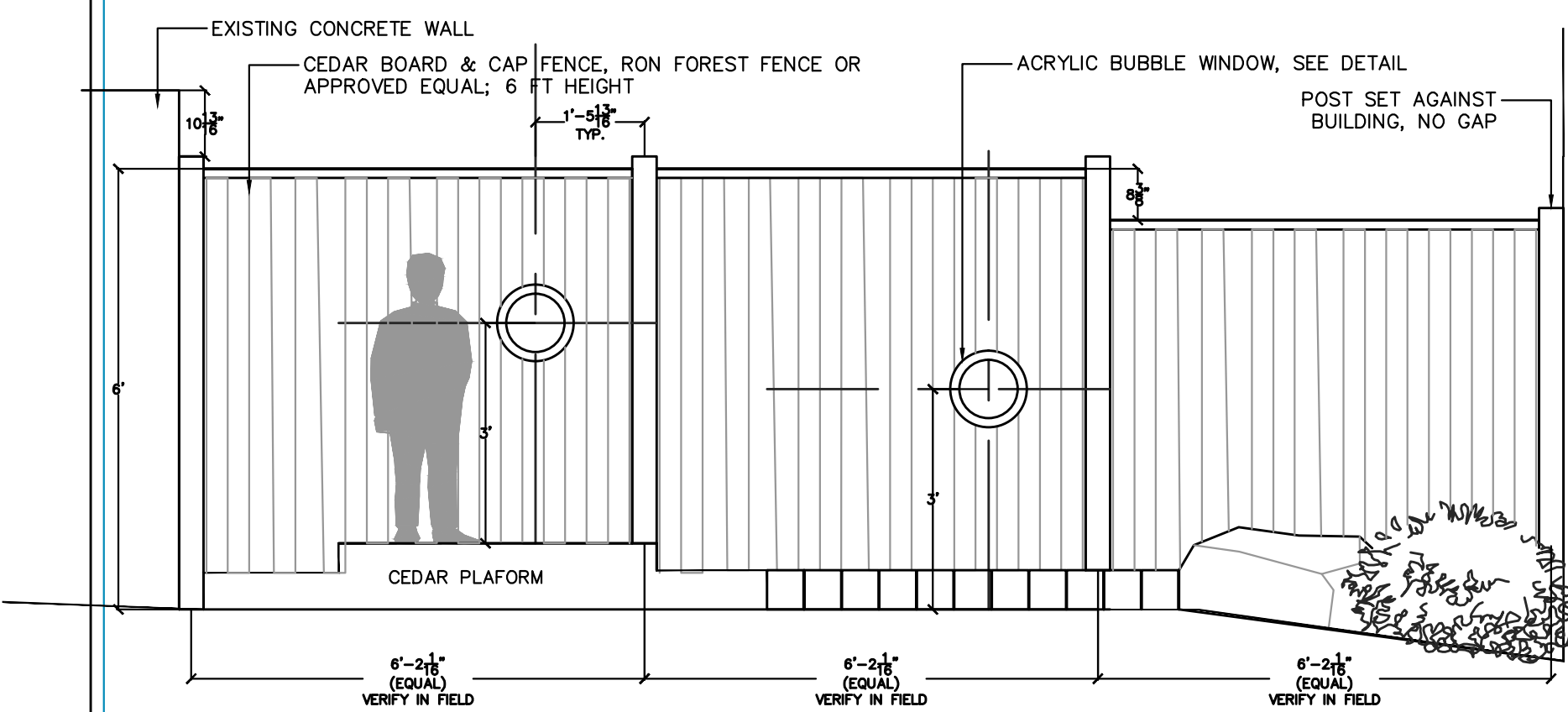
COBBLESTONE EDGING DETAIL
 NOT TO SCALE



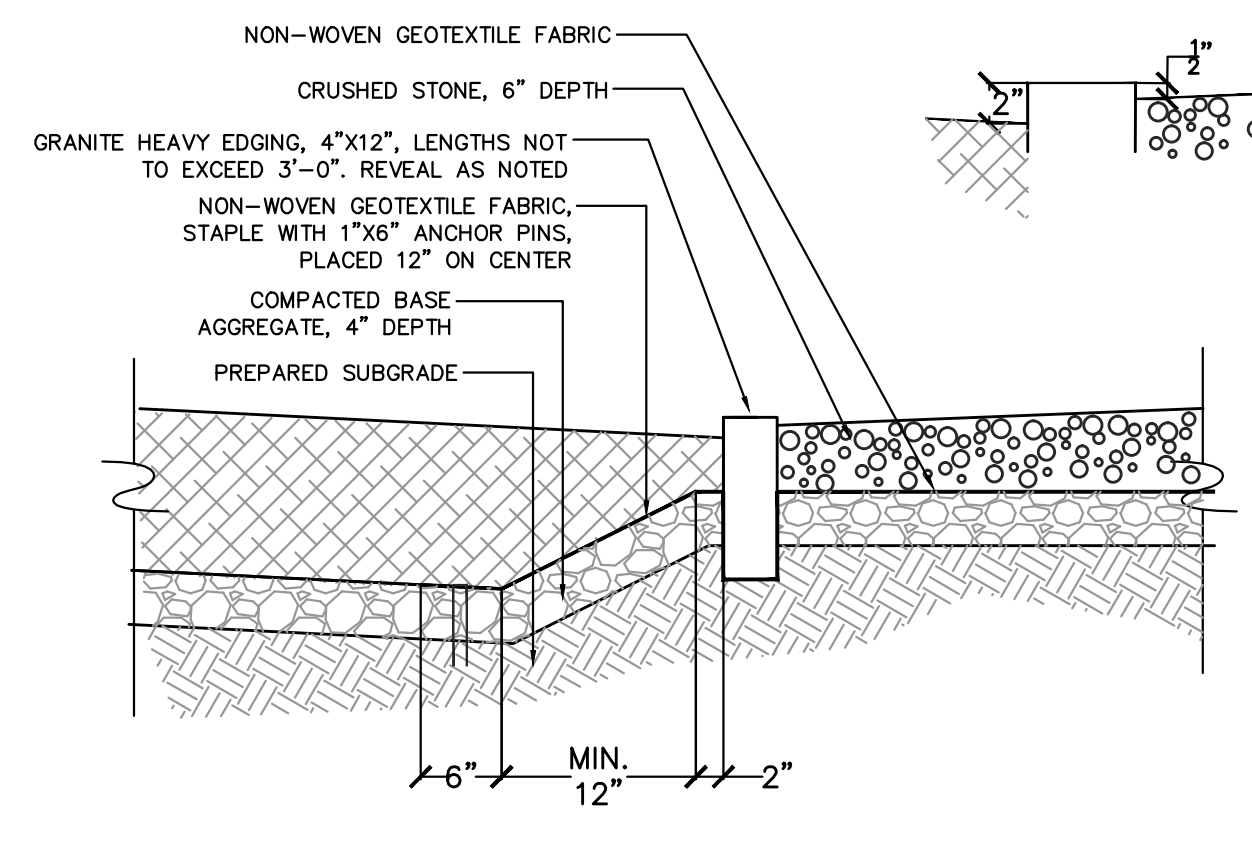
CEDAR POST EDGE DETAIL
 NOT TO SCALE



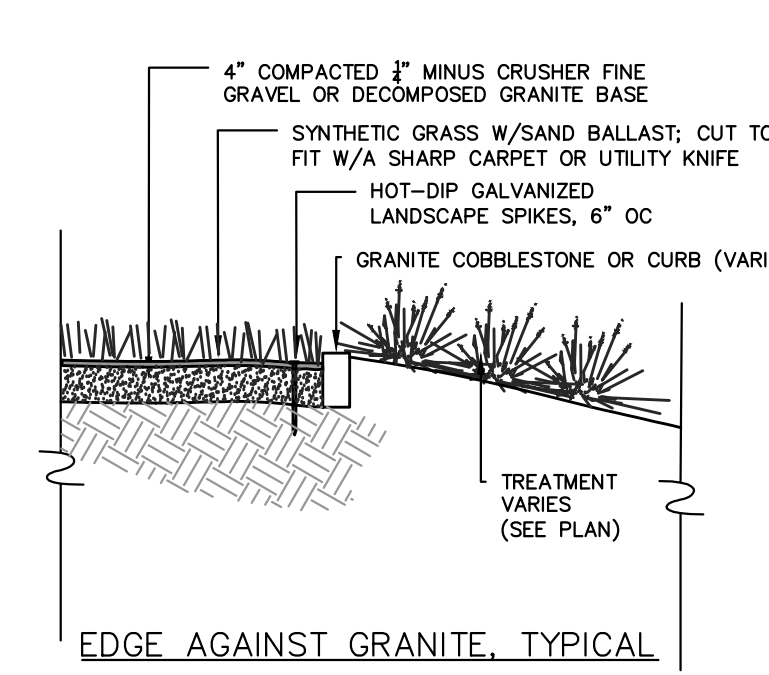
WINDOW DETAIL



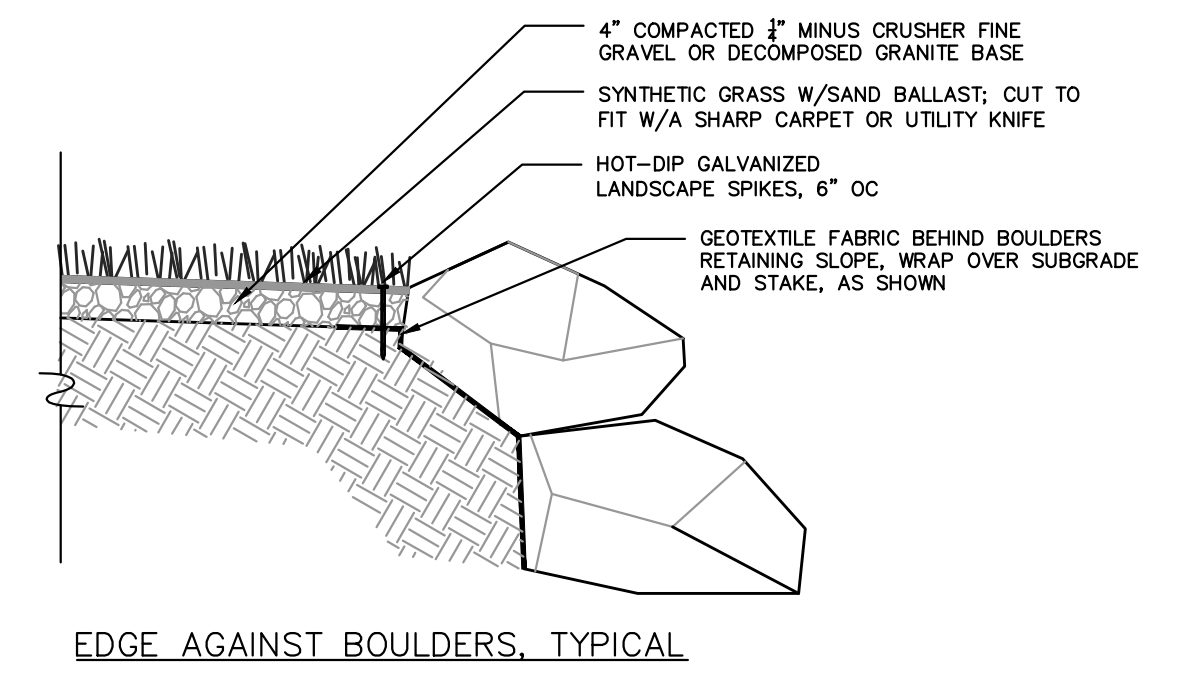
BOARD AND CAP FENCE WITH BUBBLE WINDOWS ELEVATION



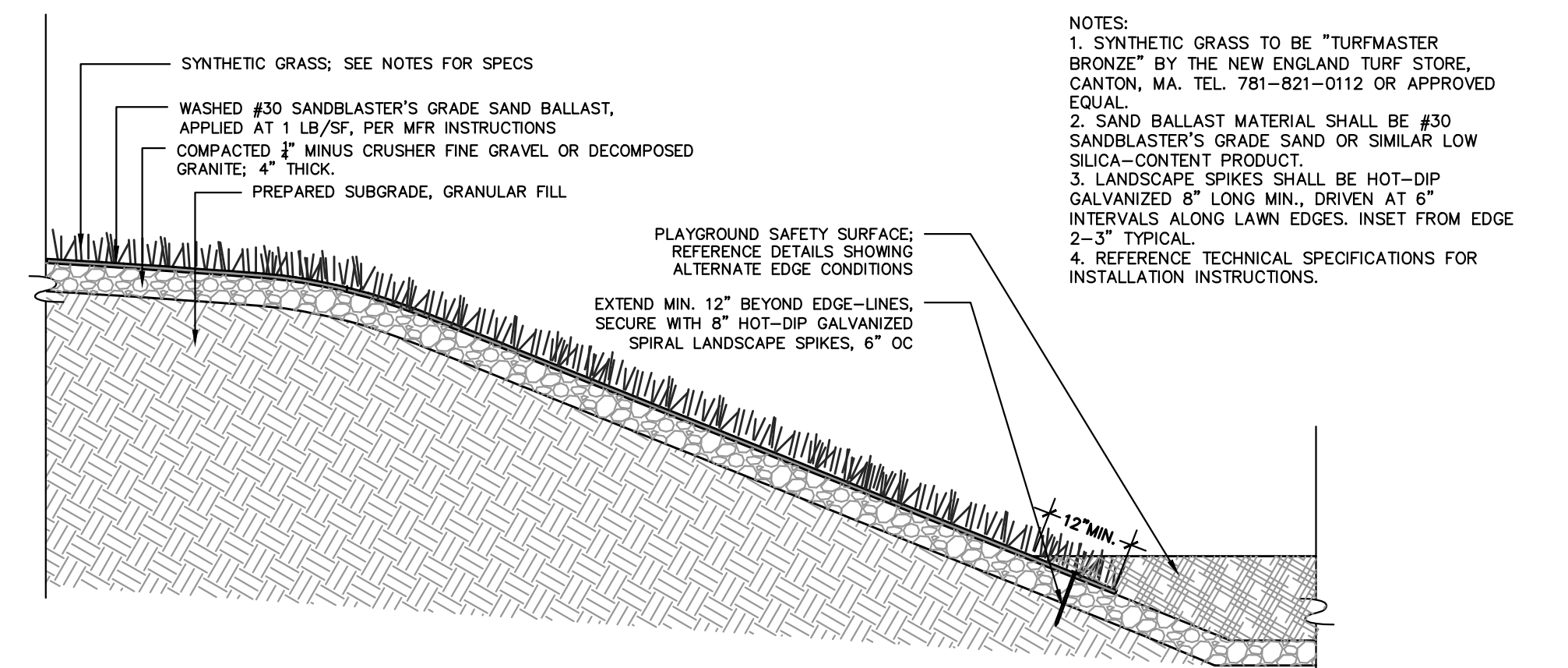
SILT FENCE DETAIL
 NOT TO SCALE



EDGE AGAINST GRANITE, TYPICAL



EDGE AGAINST BOULDERS, TYPICAL



SILT FENCE DETAIL
 NOT TO SCALE

NOTES:
 1. SYNTHETIC GRASS TO BE "TURFMASTER BRONZE" BY THE NEW ENGLAND TURF STORE, CANTON, MA. TEL. 781-821-0112 OR APPROVED EQUAL.
 2. SAND BALLAST MATERIAL SHALL BE #30 SANDBLASTER'S GRADE SAND OR SIMILAR LOW SILICA-CONTENT PRODUCT.
 3. LANDSCAPE SPIKES SHALL BE HOT-DIP GALVANIZED 8" LONG MIN., DRIVEN AT 6" INTERVALS ALONG LAWN EDGES. INSET FROM EDGE 2-3" TYPICAL.
 4. REFERENCE TECHNICAL SPECIFICATIONS FOR INSTALLATION INSTRUCTIONS.

DATE	REVISION

DETAILS

CONTRACT:	FILE:	OA14
DATE:	5/20/14	SCALE: As Noted