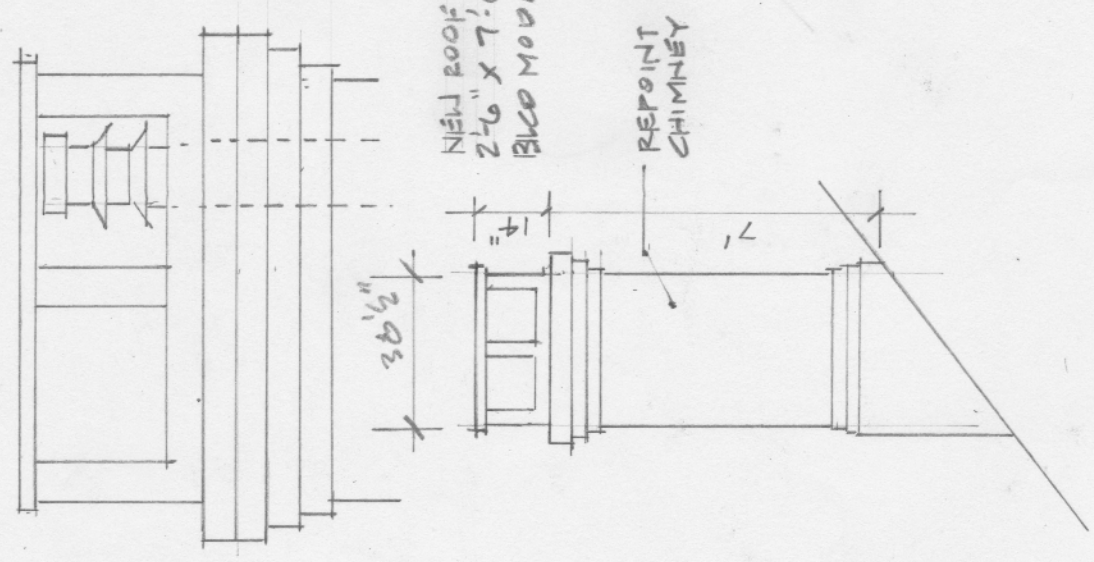


ROOF PLAN



CHIMNEY
1/4" = 1'-0"

14 MELLEEN ST
 3. ROOF PLAN
 1/4" = 1'-0"
 WHIPPLE CALWENDER
 ARCHITECTS