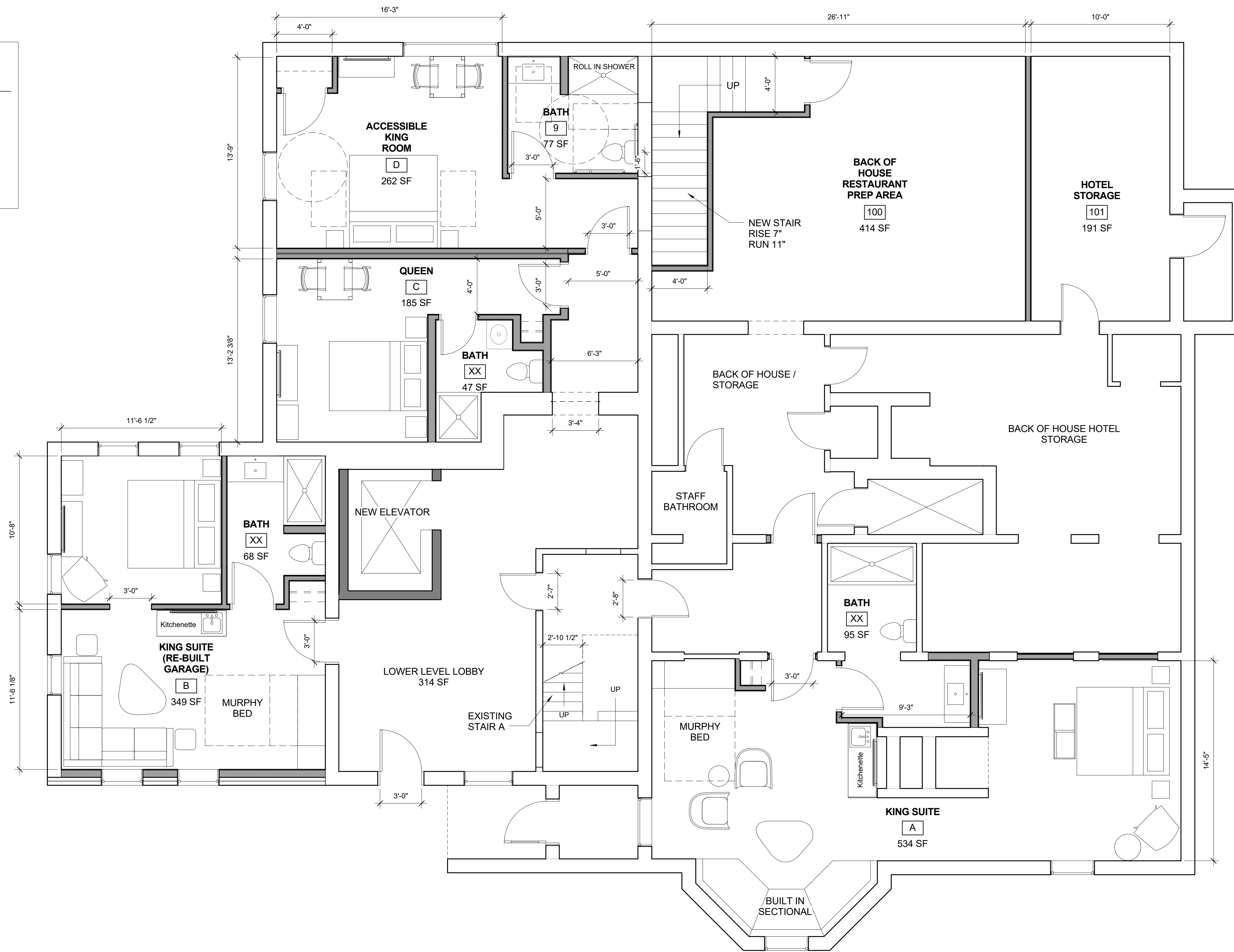
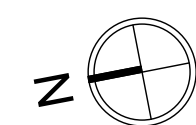


EXISTING STAIR A
1" = 1'-0"



1 GROUND FLOOR - NEW
1/4" = 1'-0"

GROSS SQ FOOTAGE : 4370 SQ FT



Prepared For:
OWNER

Consultant:

ARCHETYPE
architects
48 Union Wharf Portland, Maine 04101
(207) 772-6022 ARCHETYPE@ARCHETYPEPA.COM

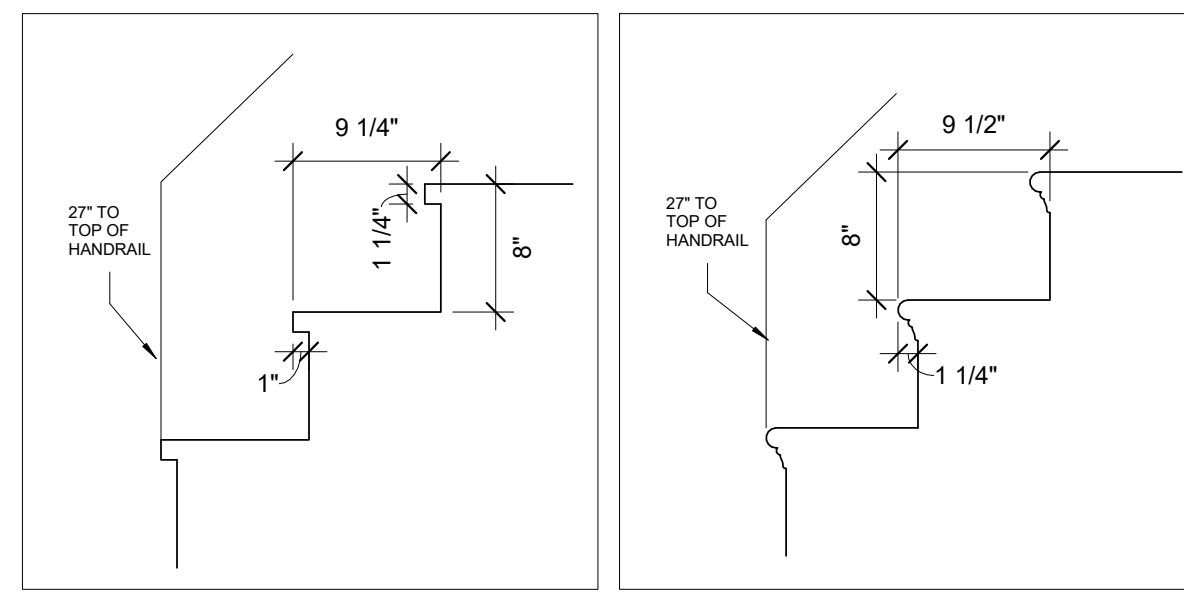
Project:
749 CONGRESS ST

749 CONGRESS ST
PORTLAND, ME 04102

Revisions:

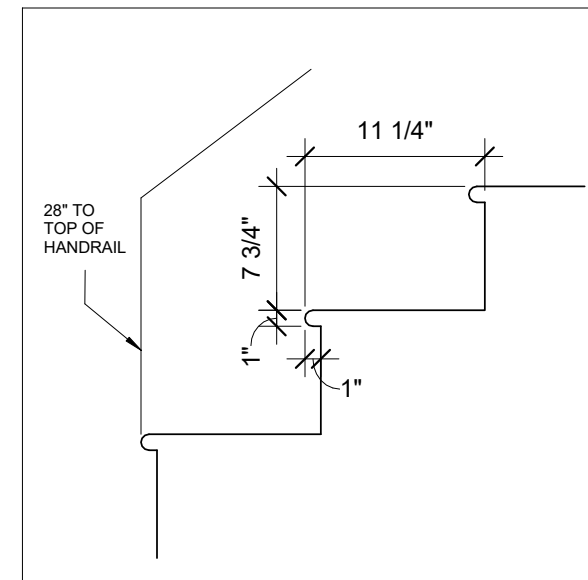
Date:
19 FEB 2016
Scale:
As indicated
GROUND FLOOR

A1.00

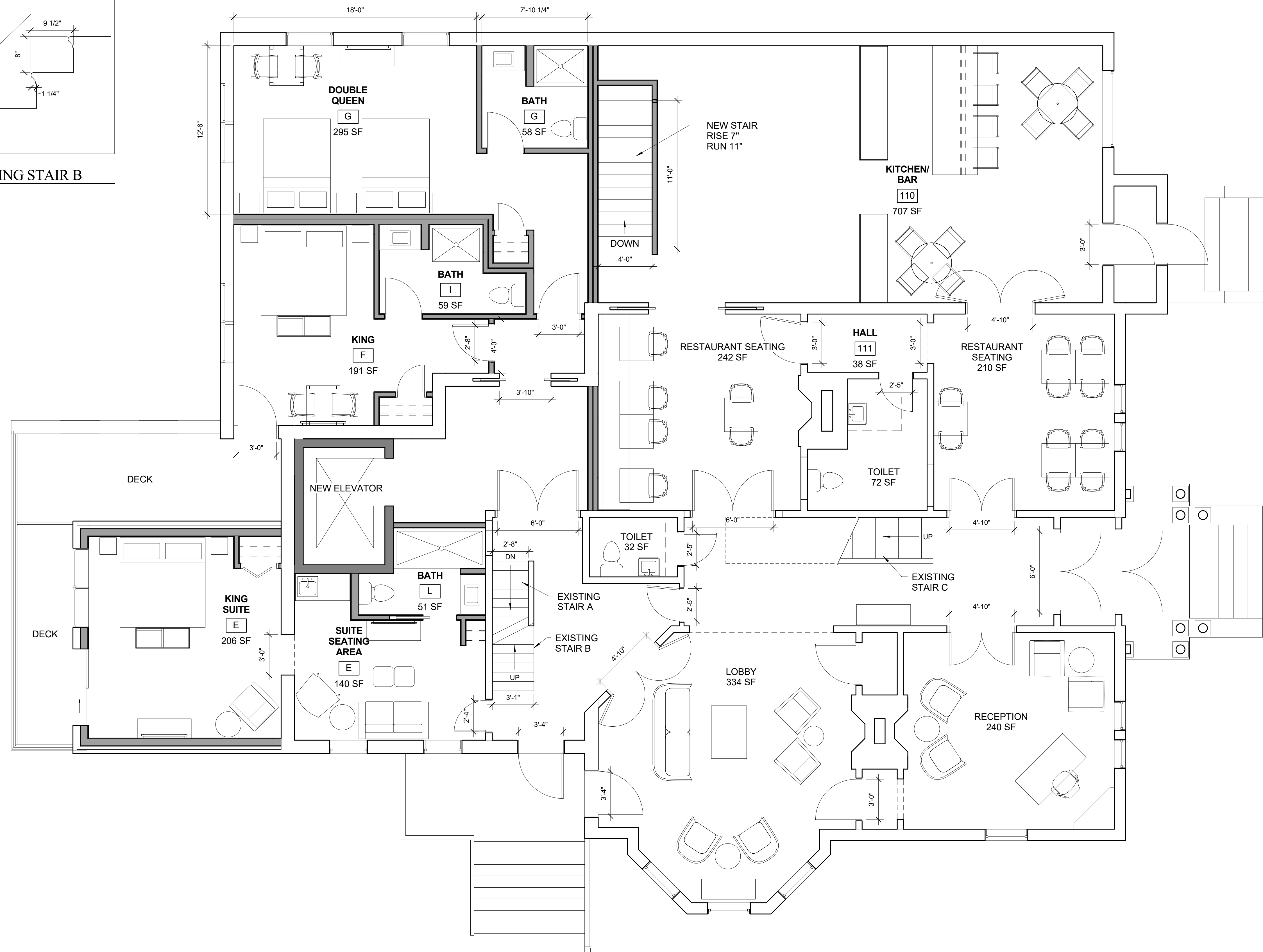


EXISTING STAIR A
1" = 1'-0"

EXISTING STAIR B
1" = 1'-0"

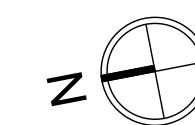


EXISTING STAIR C
1" = 1'-0"



1 | 1ST FLOOR - NEW
1/4" = 1'-0"

GROSS SQ FOOTAGE : 4097 SQ FT



Prepared For:
OWNER

Consultant:

ARCHETYPE
architects
48 Union Wharf Portland, Maine 04101
(207) 772-6022 ARCHETYPE@ARCHETYPEA.COM

Project:
749 CONGRESS ST

749 CONGRESS ST
PORTLAND, ME 04102

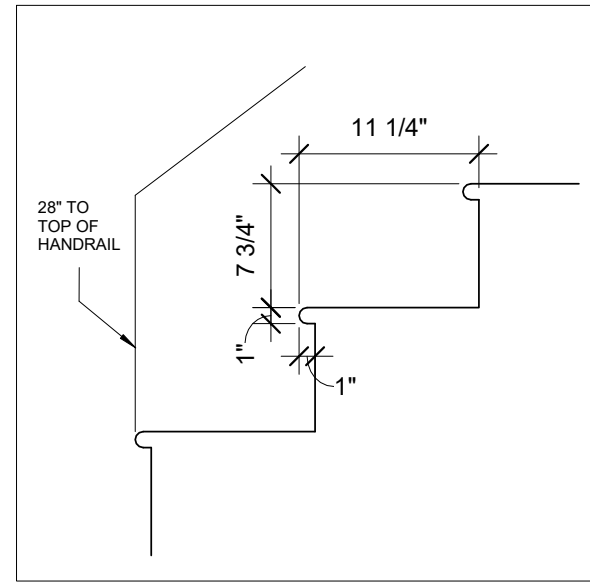
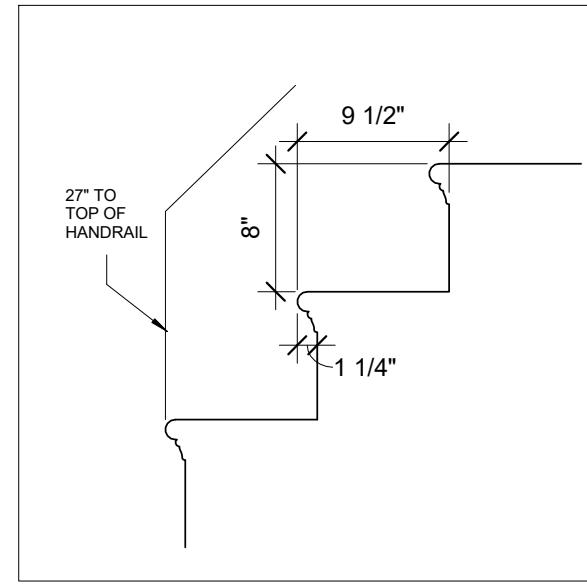
Revisions:

Date:
19 FEB 2016

Scale:
As indicated

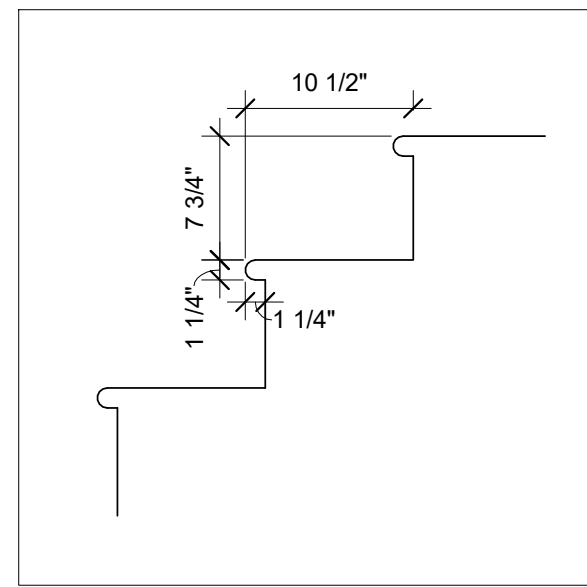
FIRST FLOOR

A1.01

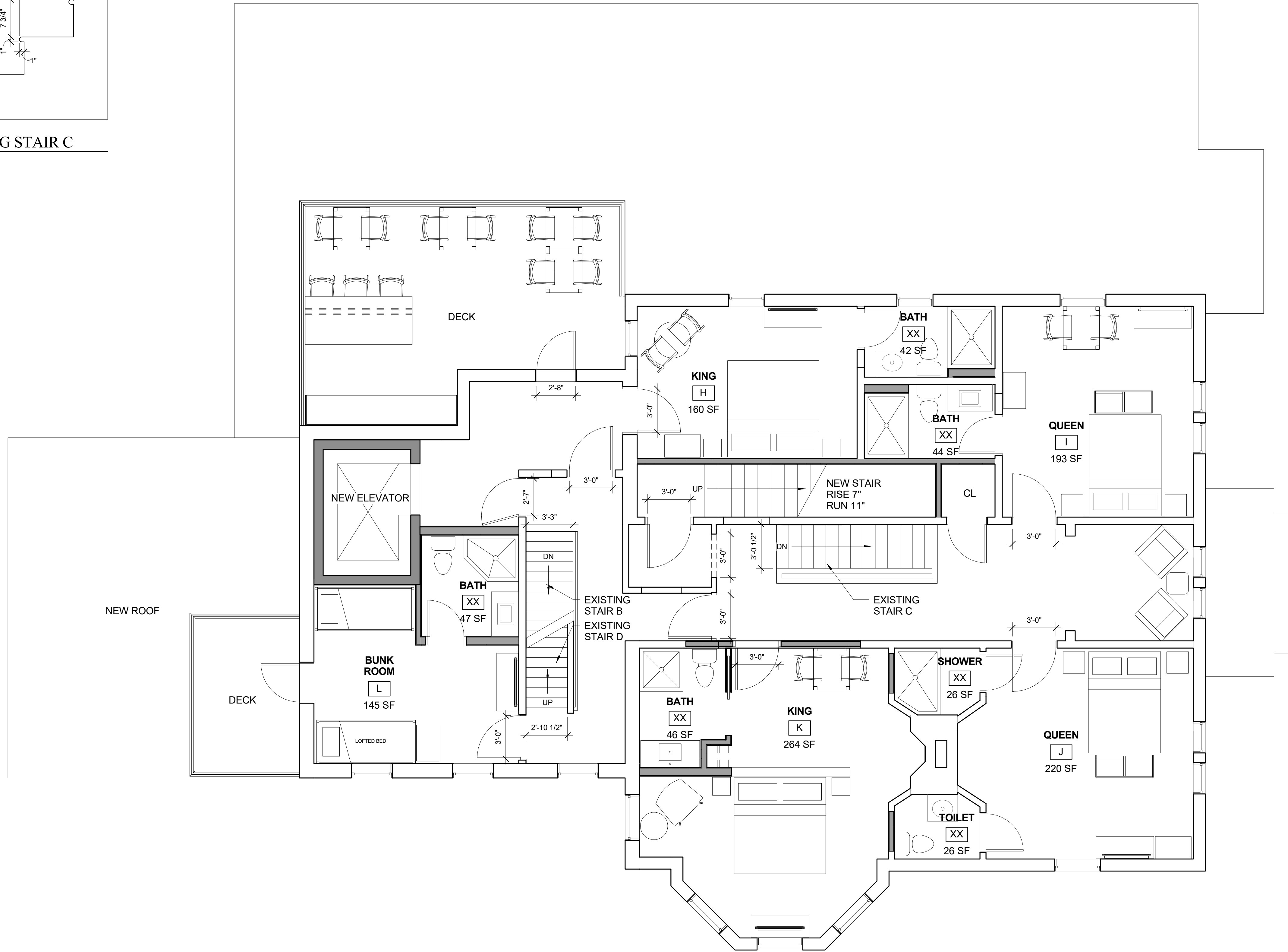


EXISTING STAIR B
1" = 1'-0"

EXISTING STAIR C
1" = 1'-0"

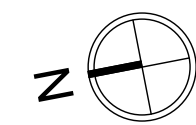


EXISTING STAIR D
1" = 1'-0"



1 | 2ND FLOOR - NEW
1/4" = 1'-0"

GROSS SQ FOOTAGE : 2256 SQ FT



OWNER

Consultant:

ARCHETYPE
architects
48 Union Wharf Portland, Maine 04101
(207) 772-6022 ARCHETYPE@ARCHETYPEPA.COM

Architect:

Project: 749 CONGRESS ST

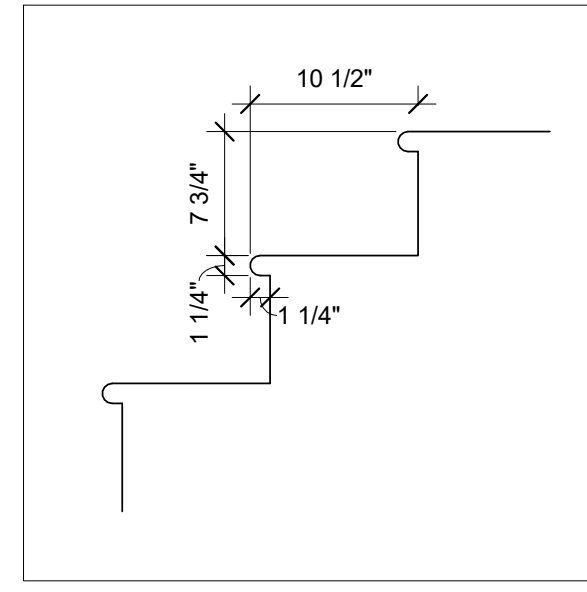
749 CONGRESS ST
PORTLAND, ME 04102

Revisions:

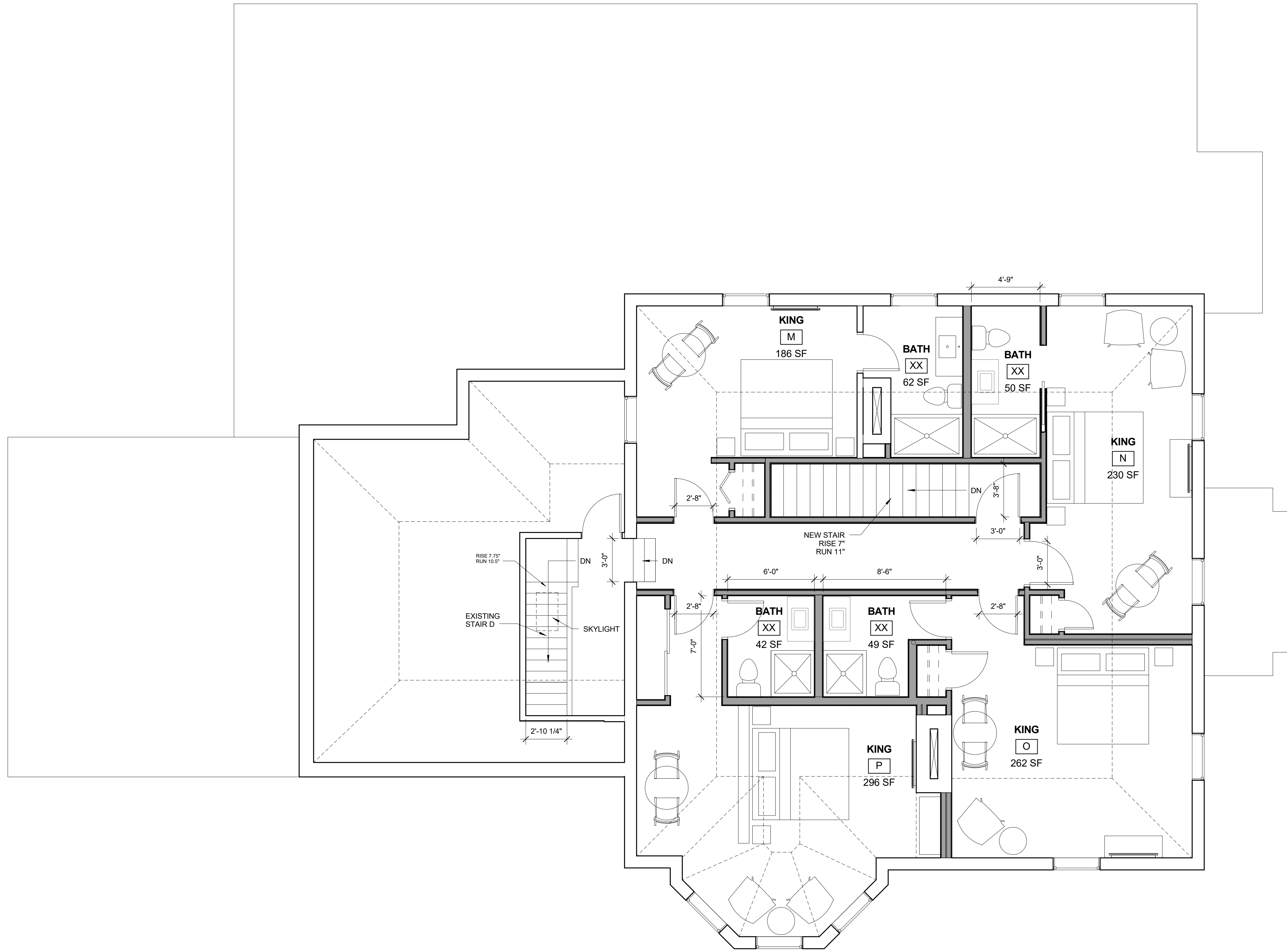
Date: 19 FEB 2016
Scale: As indicated

SECOND FLOOR

A1.02

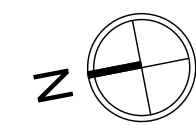


EXISTING STAIR D
1" = 1'-0"



1 | 3RD FLOOR - NEW
1/4" = 1'-0"

GROSS SQ FOOTAGE : 2256SQ FT



Prepared For:
OWNER

Consultant:

Architect:
ARCHETYPE
architects
48 Union Wharf Portland, Maine 04101
(207) 772-6022 ARCHETYPE@ARCHETYPEPA.COM

Project:
749 CONGRESS ST

749 CONGRESS ST
PORTLAND, ME 04102

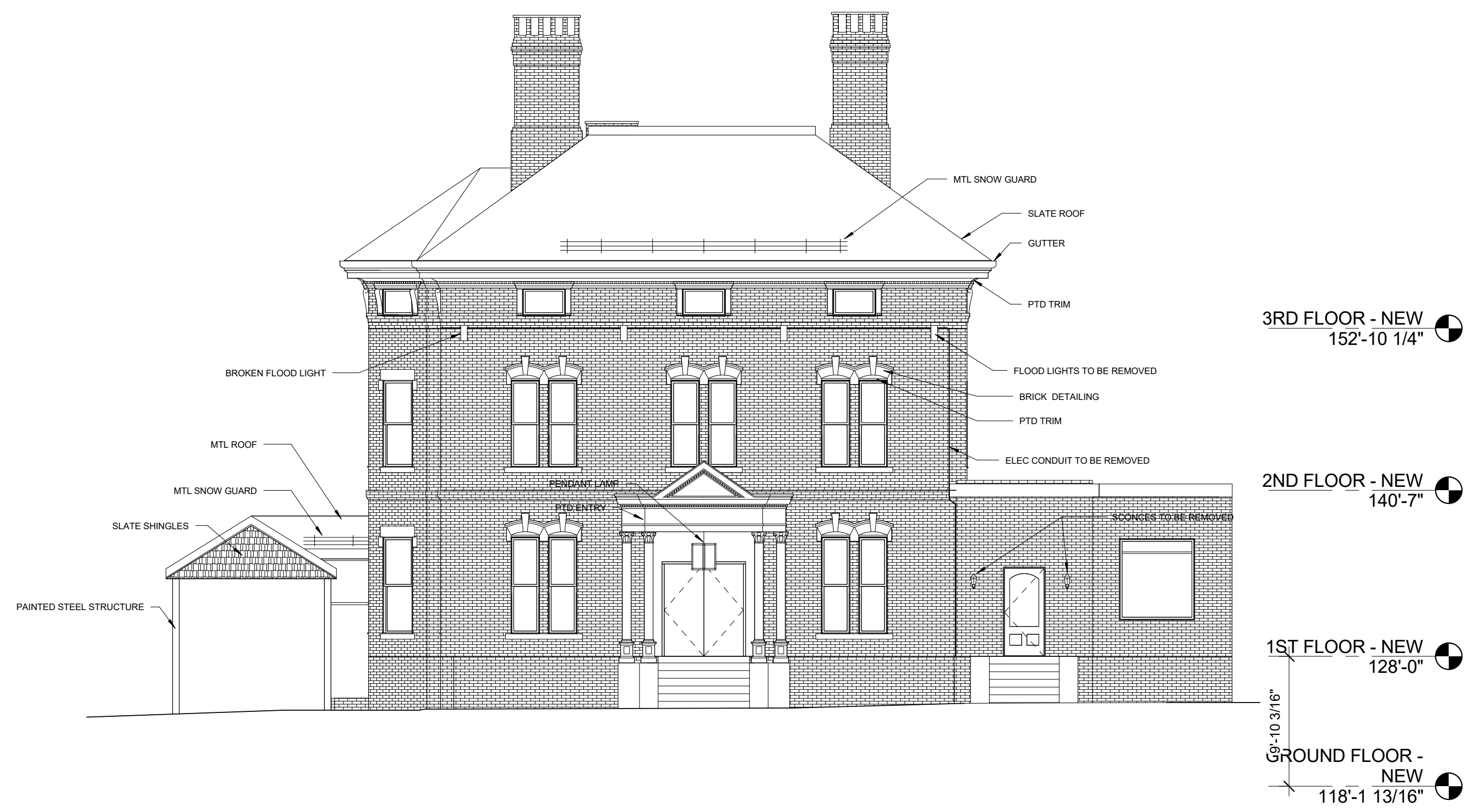
Revisions:

Date:
19 FEB 2016

Scale:
As indicated

THIRD FLOOR

A1.03



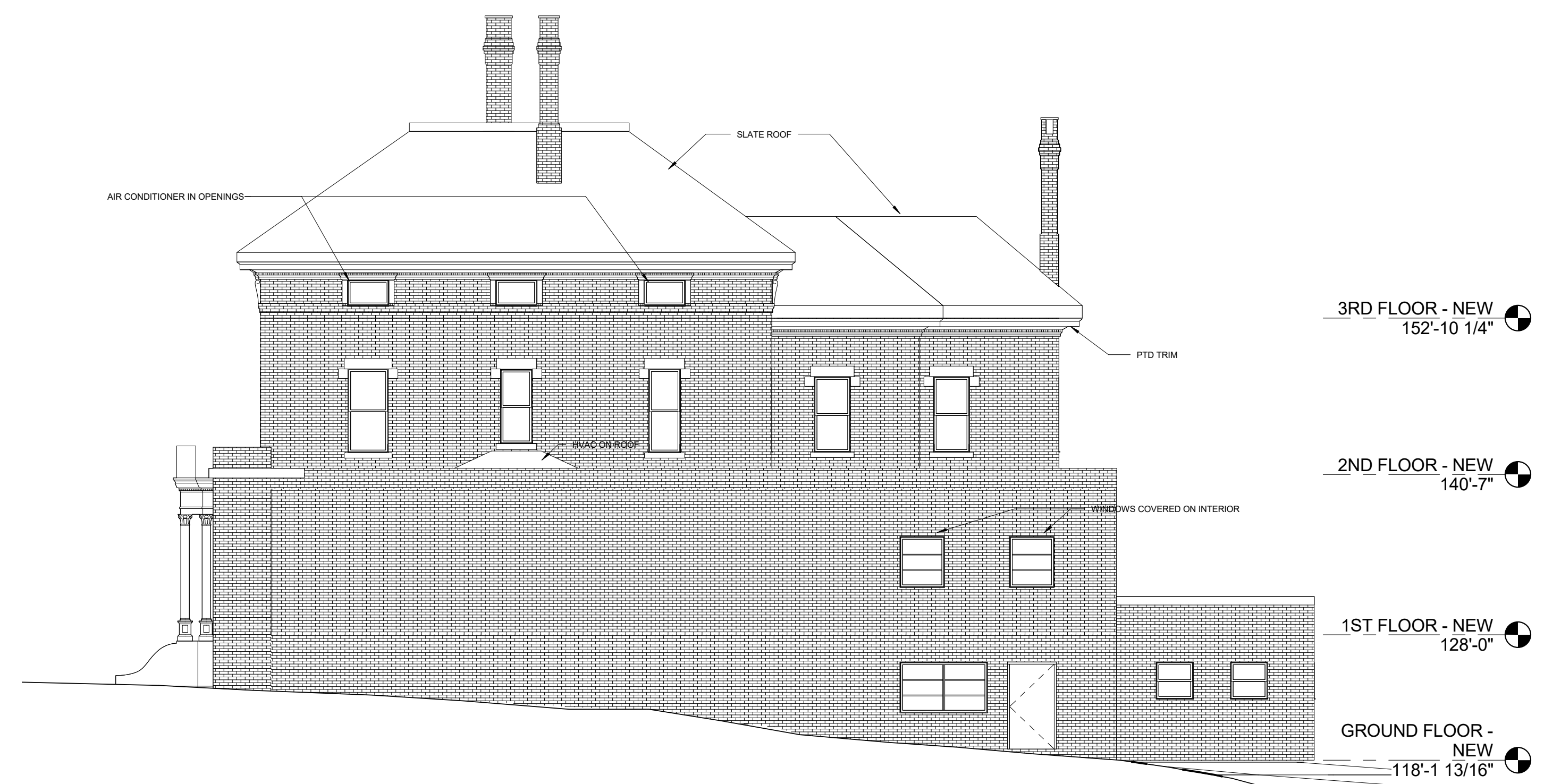
1 FRONT ELEVATION
1/8" = 1'-0"



3 LEFT ELEVATION
1/8" = 1'-0"



2 REAR ELEVATION
1/8" = 1'-0"



4 RIGHT ELEVATION
1/8" = 1'-0"

Prepared For:

OWNER

Address
City, State

Consultant:

ARCHETYPE
architects

48 Union Wharf Portland, Maine 04101
(207) 772-6022 ARCHETYPE@ARCHETYPEA.COM

Architect:

Project: 749 CONGRESS ST

749 CONGRESS ST
PORTLAND, ME 04102

Revisions:

Date: 19 FEB 2016
Scale: 1/8" = 1'-0"

EXG BUILDING
ELEVATIONS

A2.01