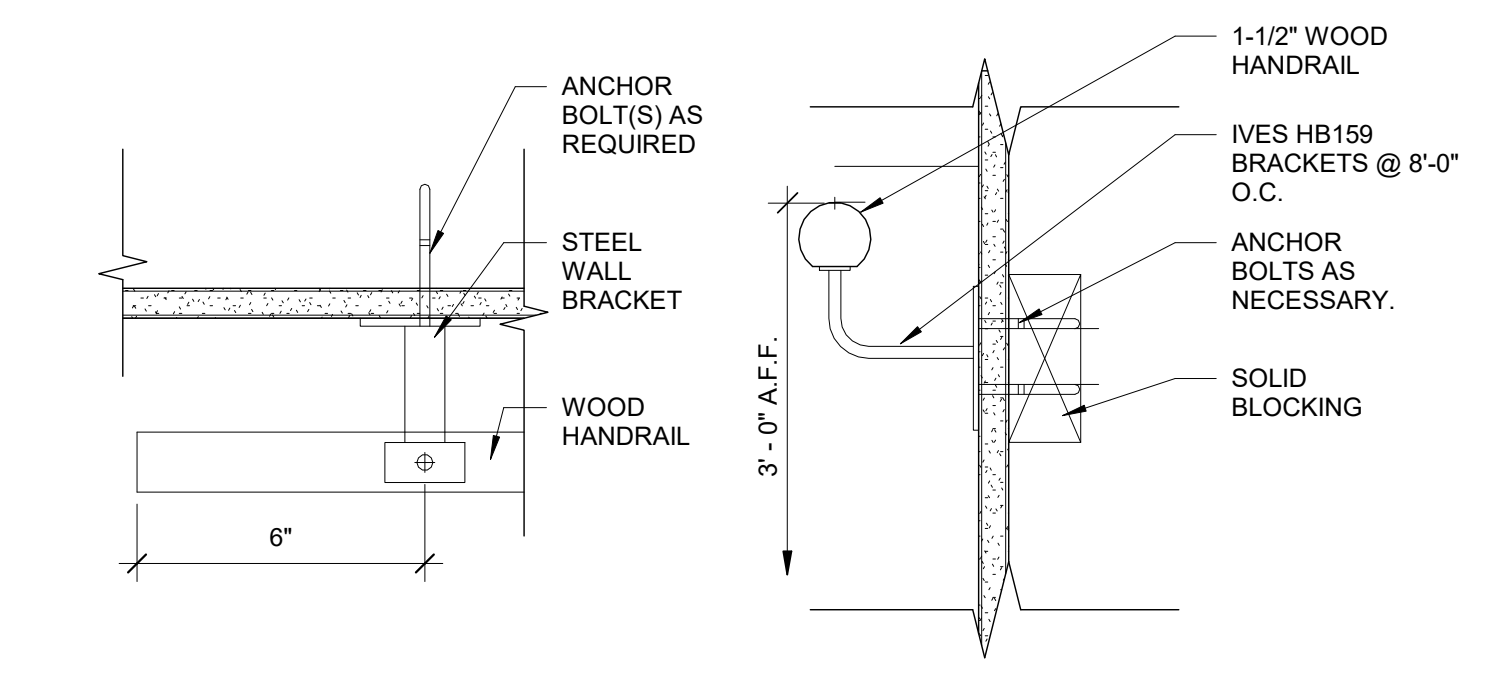
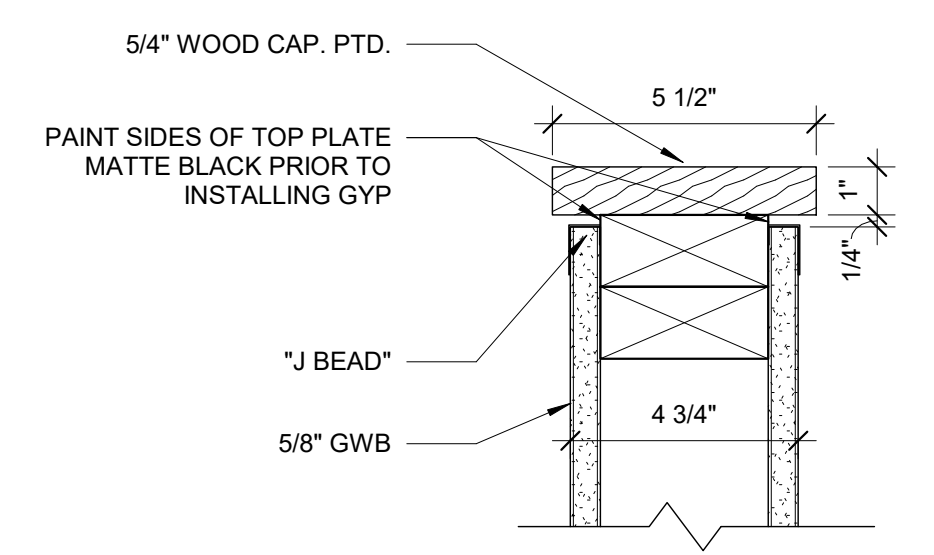


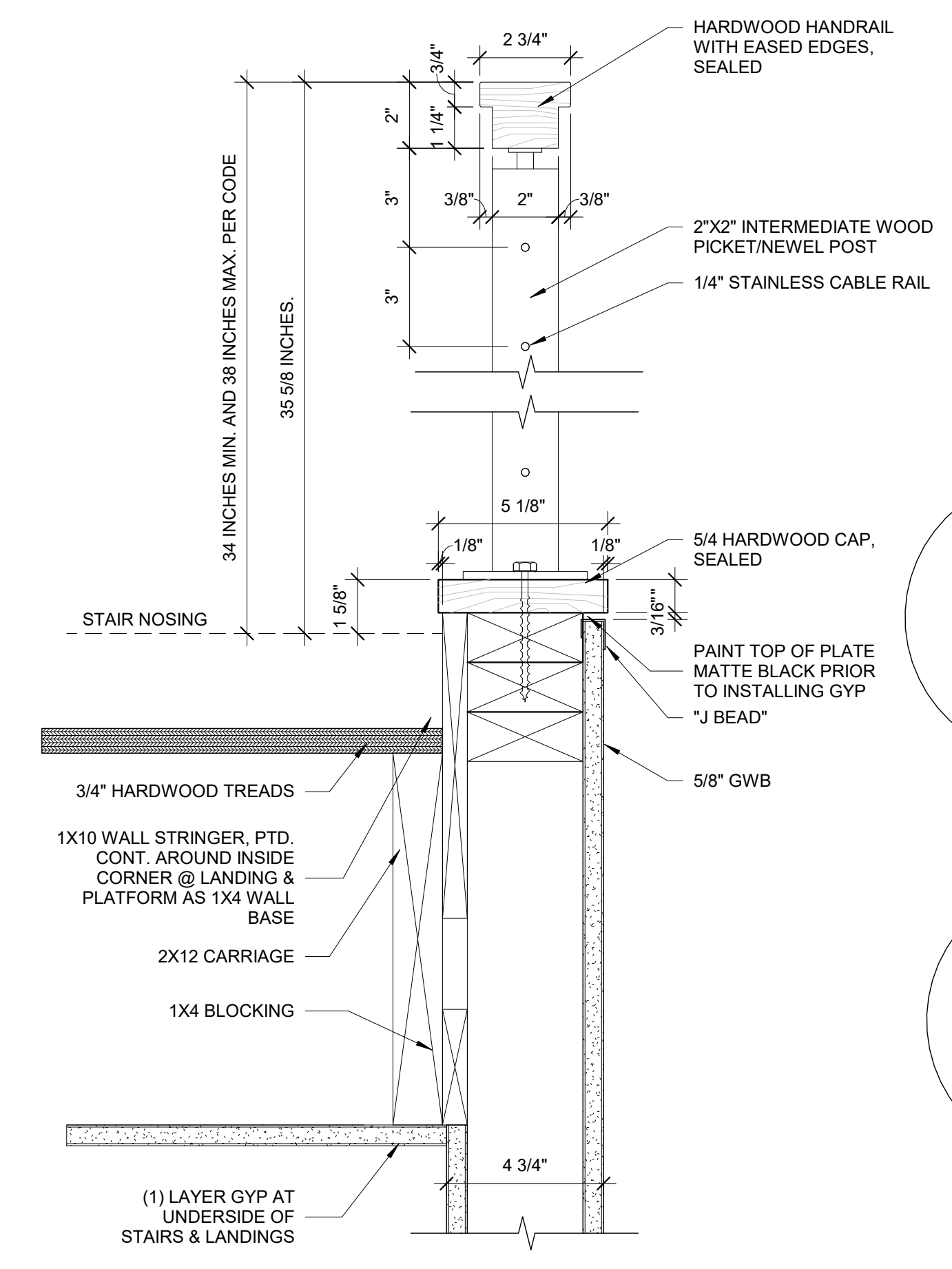
6 | TYPICAL STAIR SECTION
1/4" = 1'-0"



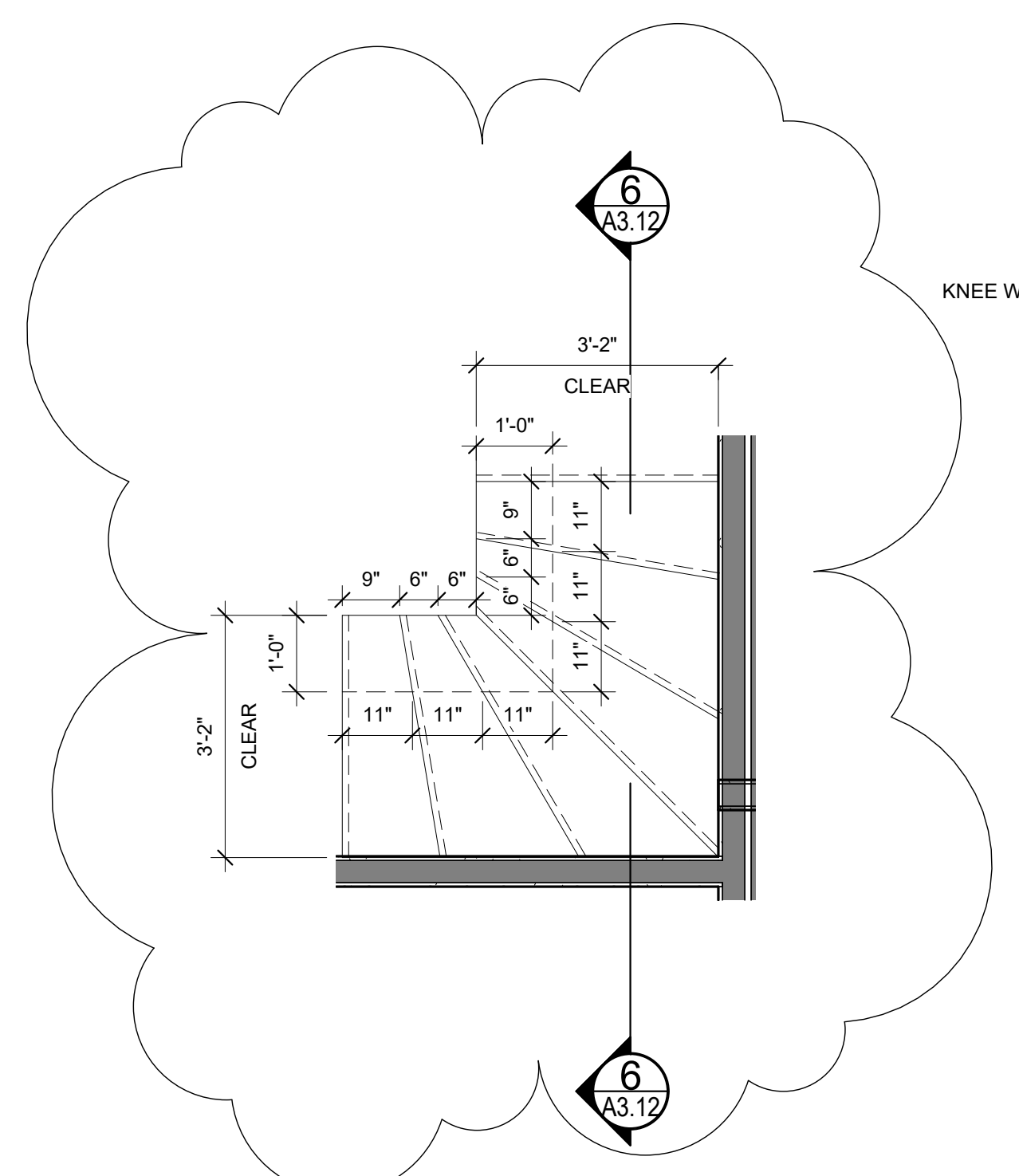
8 | STAIR DETAIL- WOOD HANDRAIL
3" = 1'-0"



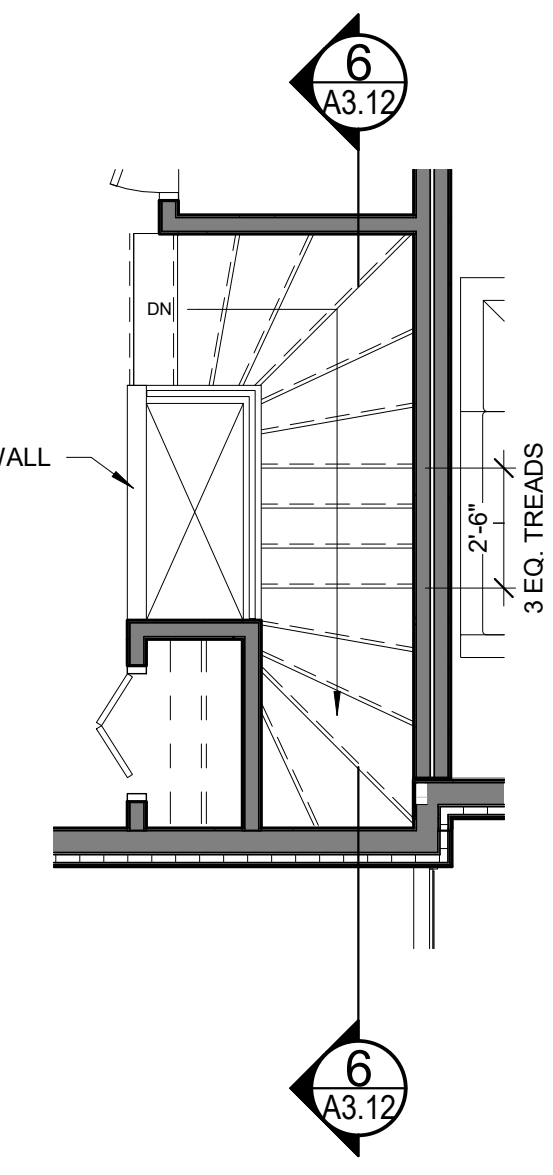
7 | INTERIOR WALL CAP DETAIL
3" = 1'-0"



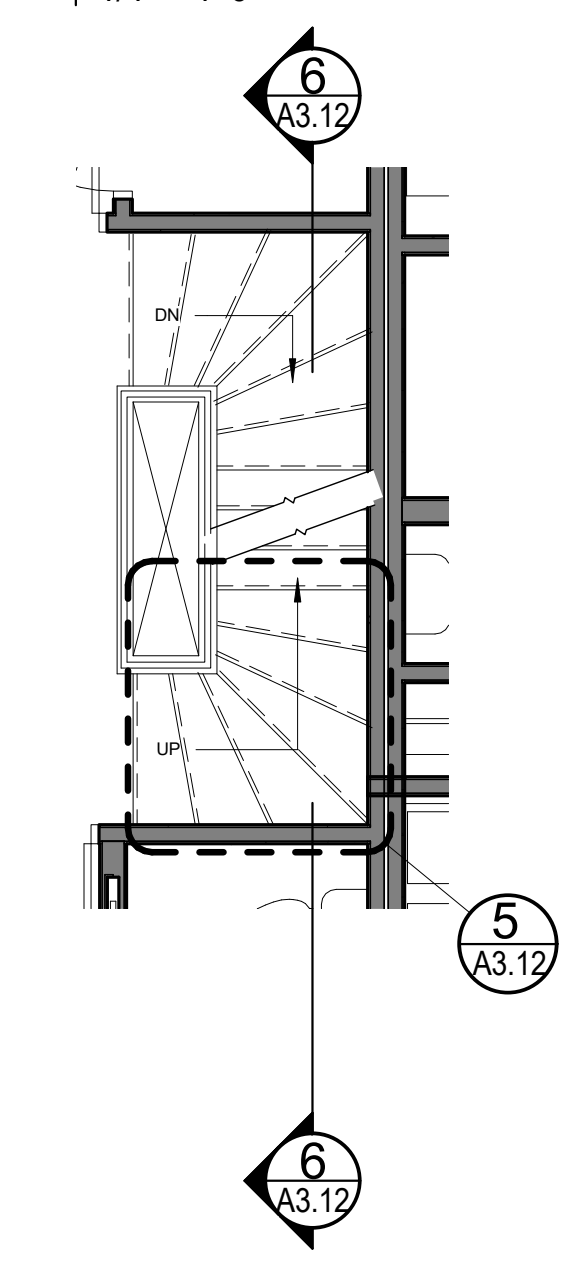
9 | INTERIOR CABLE RAIL/HANDRAIL DETAIL
3" = 1'-0"



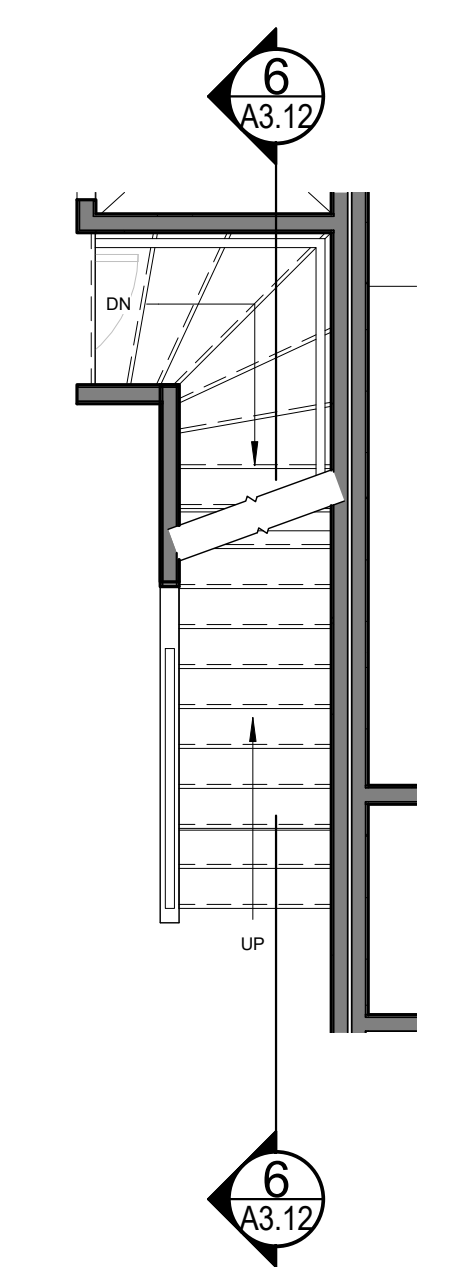
5 | ENLARGED WINDER DETAIL
1/2" = 1'-0"



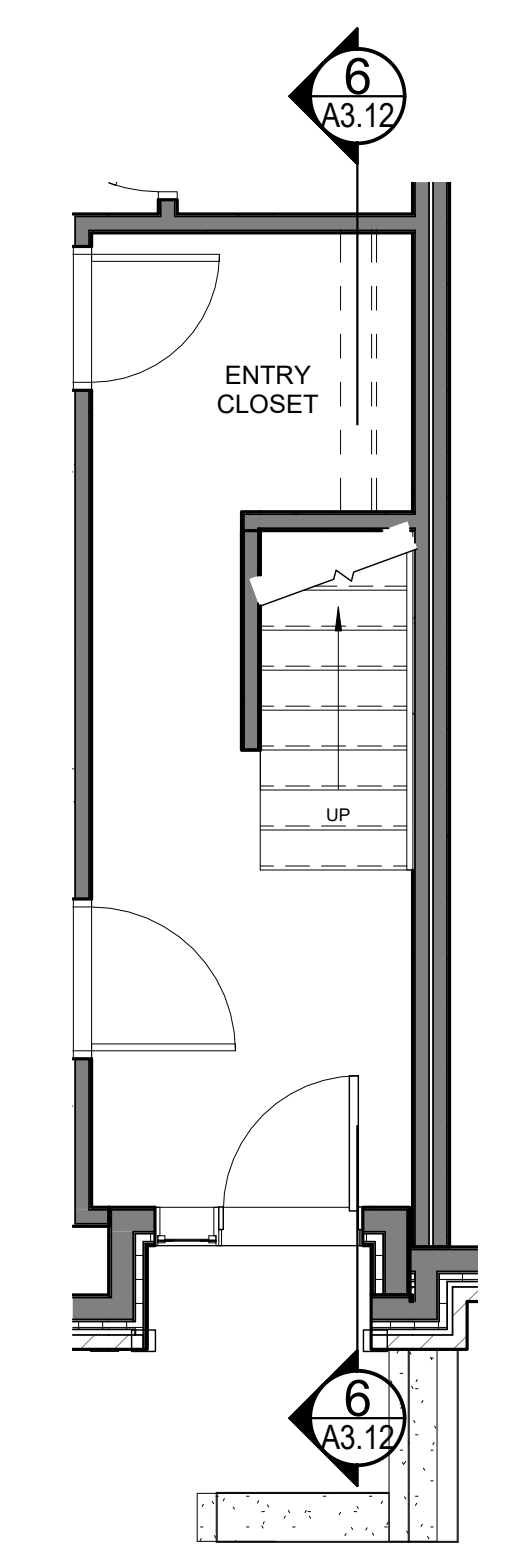
4 | 4TH FLOOR STAIR
1/4" = 1'-0"



3 | 3RD FLOOR STAIR
1/4" = 1'-0"



2 | 2ND FLOOR STAIR
1/4" = 1'-0"



1 | 1ST FLOOR STAIR
1/4" = 1'-0"