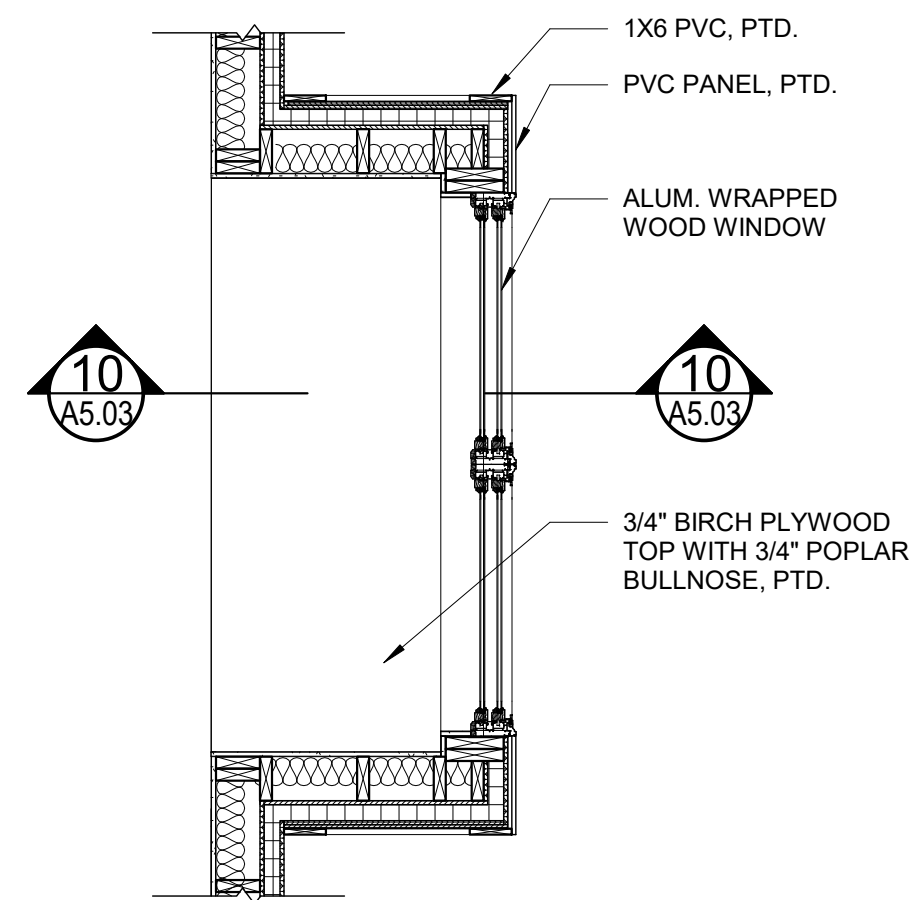
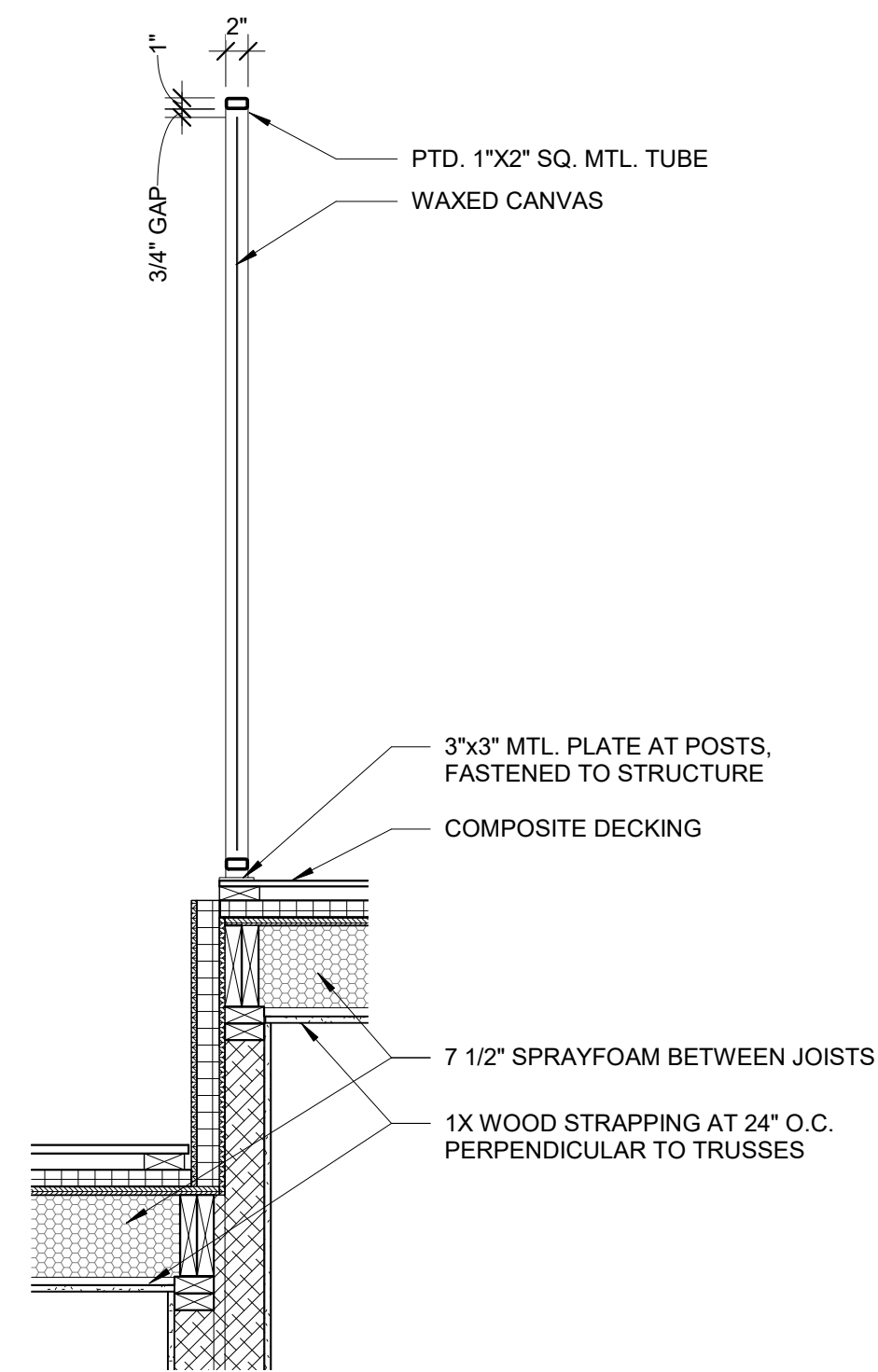


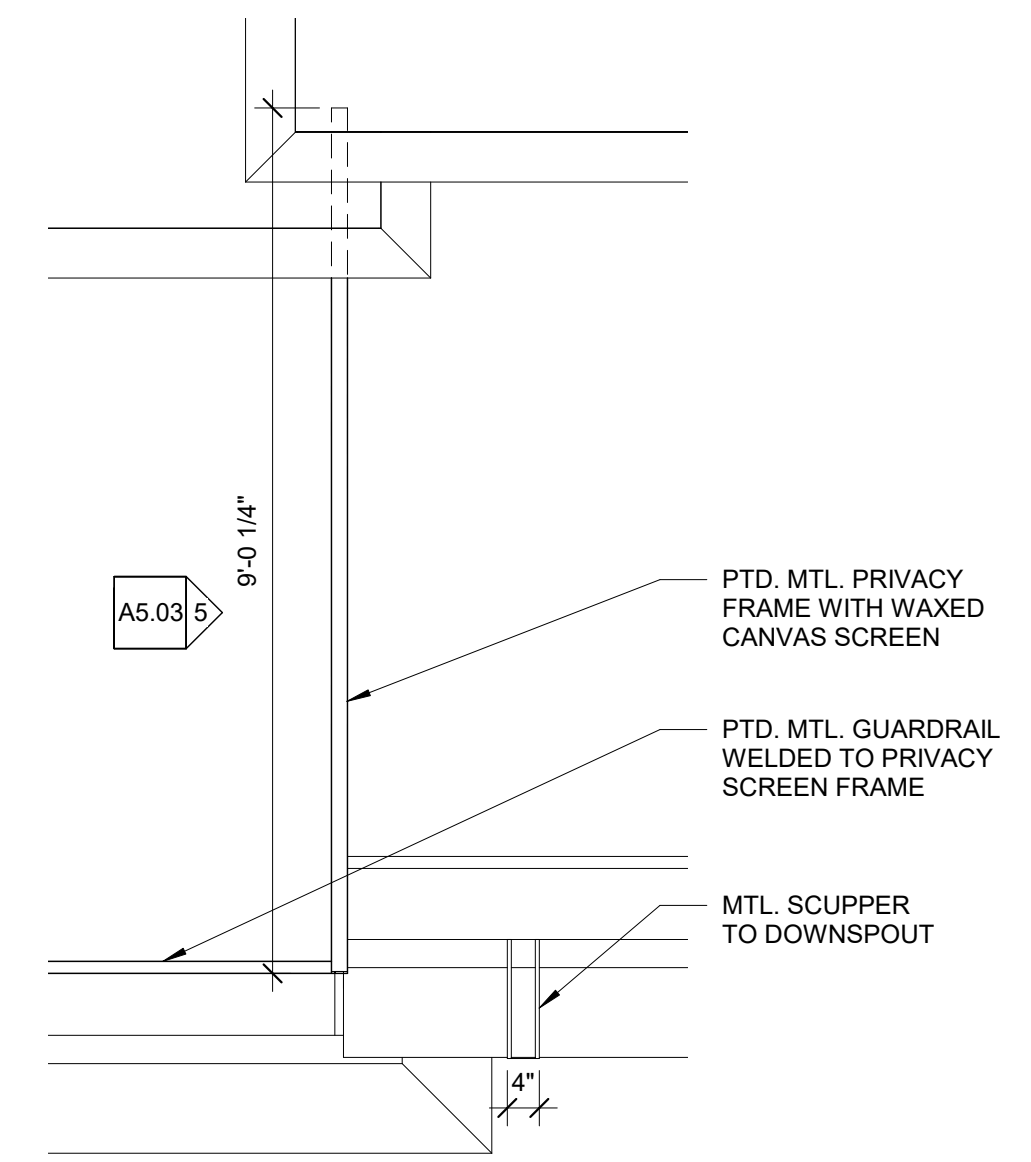
11 | SPRINKLER ROOM ROOF DETAIL
1" = 1'-0"



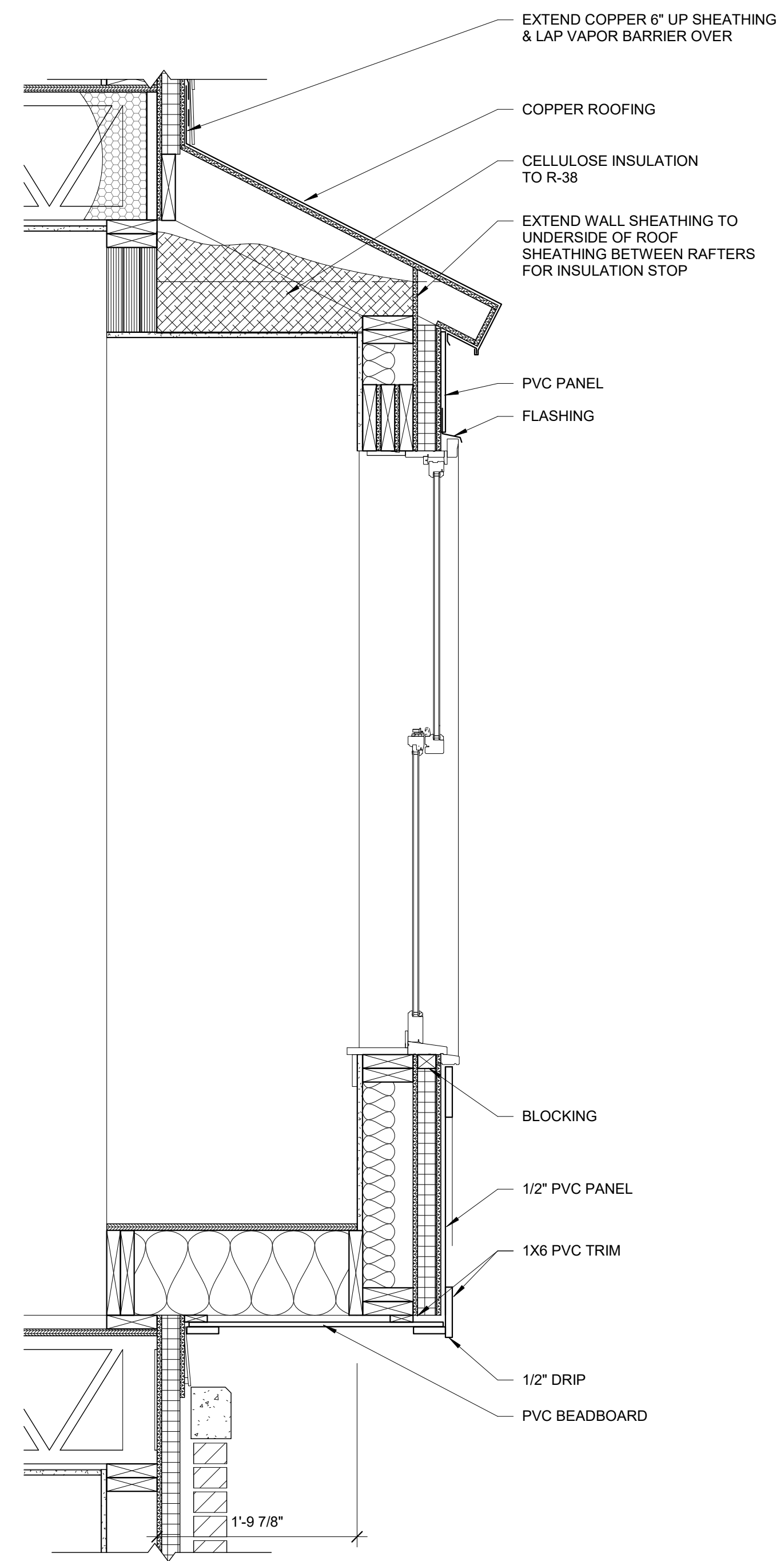
9 | BOX WINDOW DETAIL
1/2" = 1'-0"



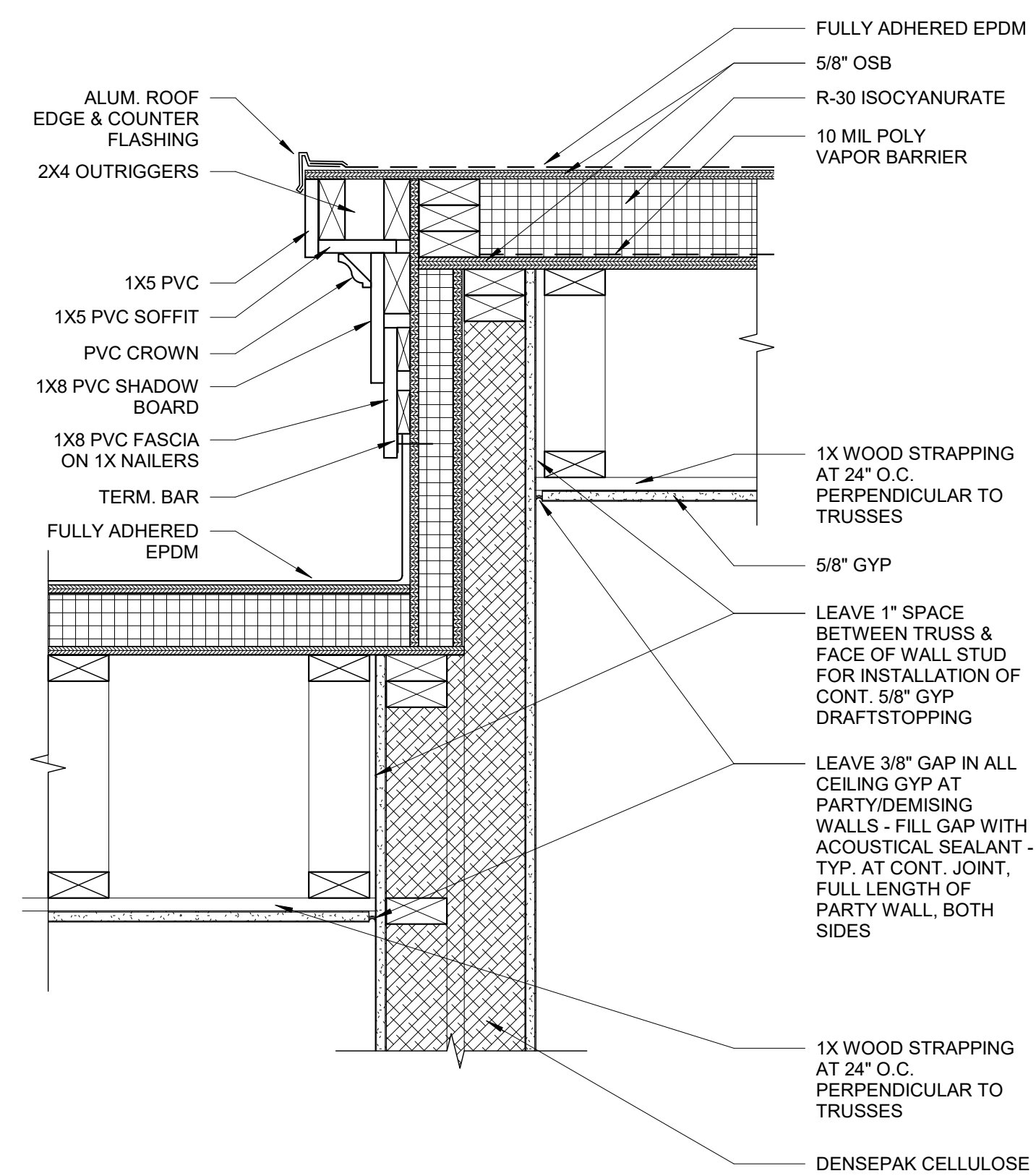
6 | PRIVACY PARTITION SECTION
3/4" = 1'-0"



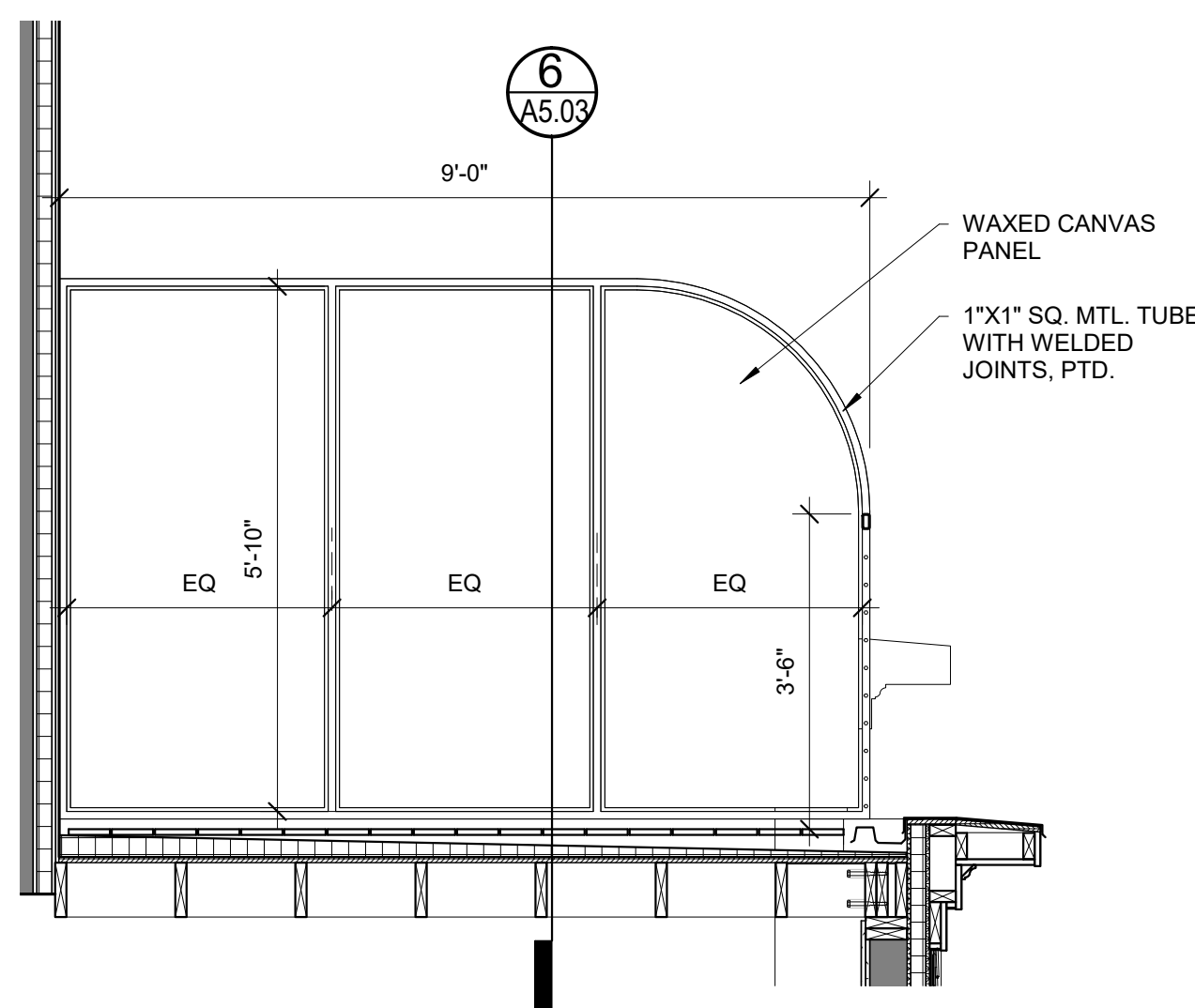
4 | PLAN AT DECK PARTITION
1/2" = 1'-0"



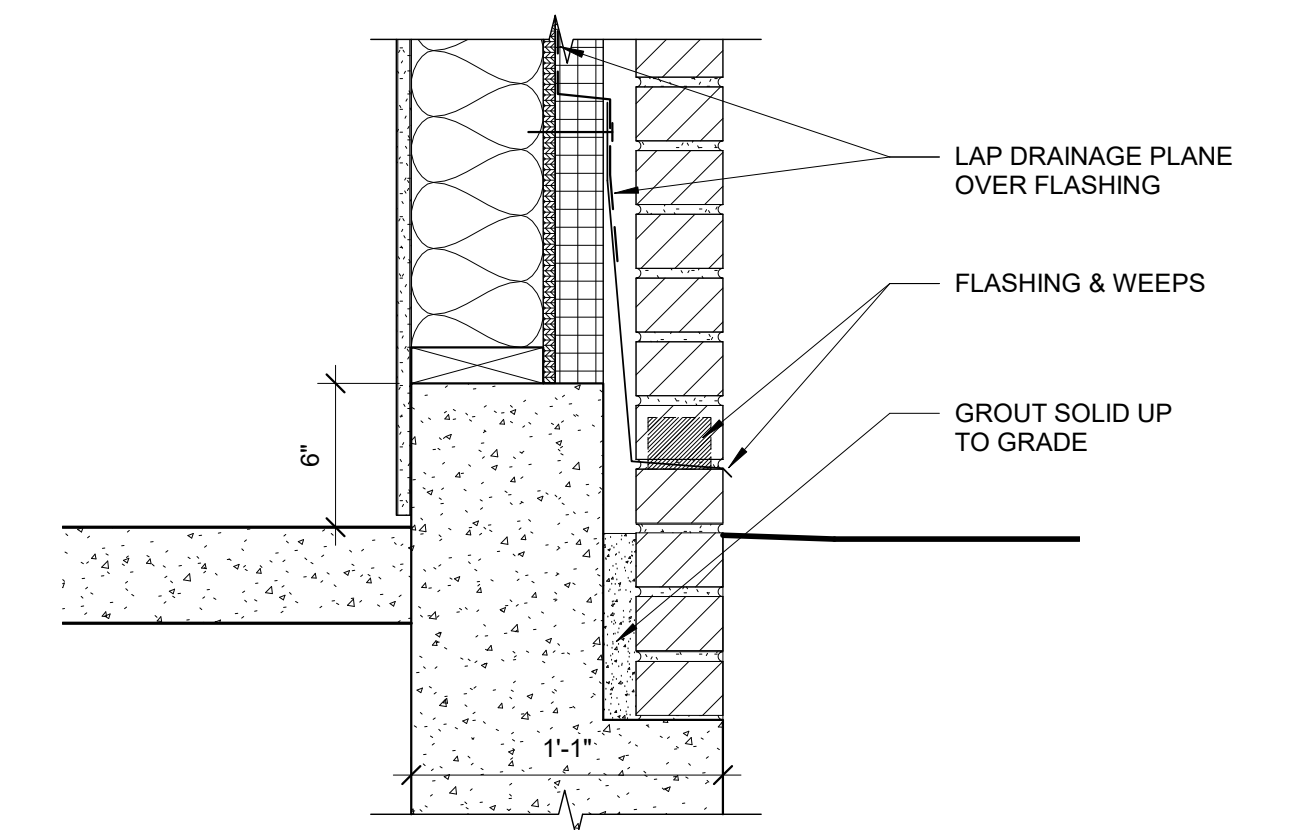
10 | BOX WINDOW SECTION
1" = 1'-0"



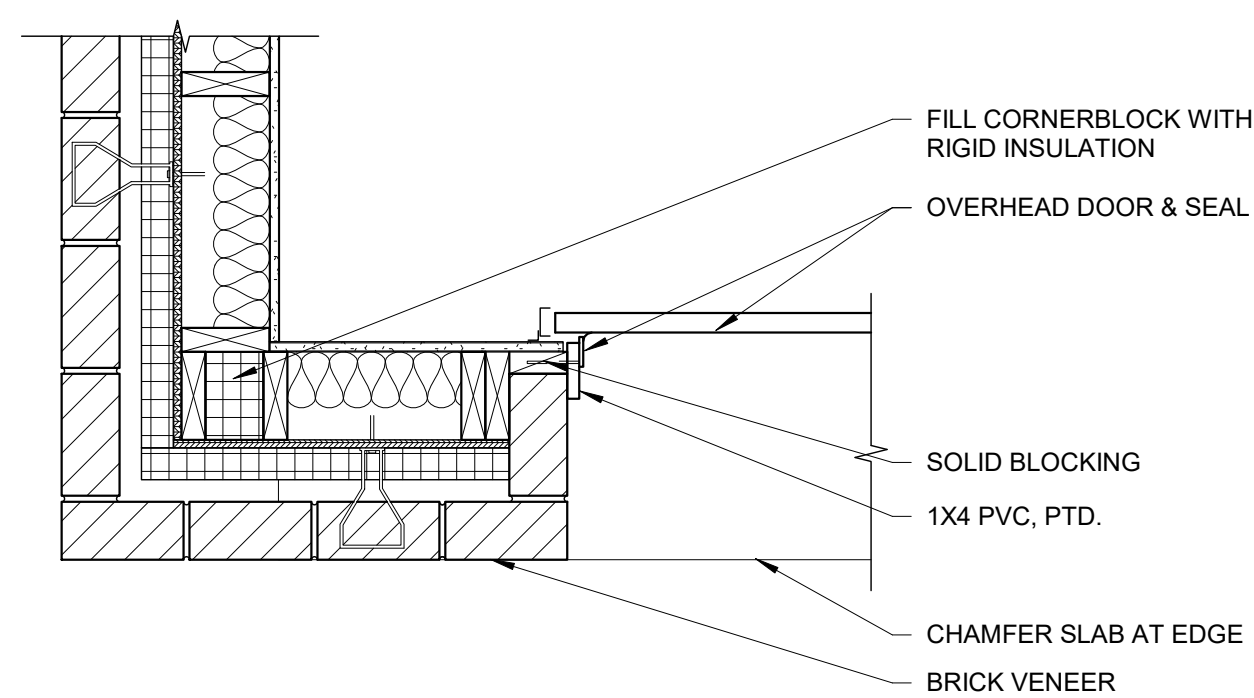
8 | ROOF EDGE DETAIL
1 1/2" = 1'-0"



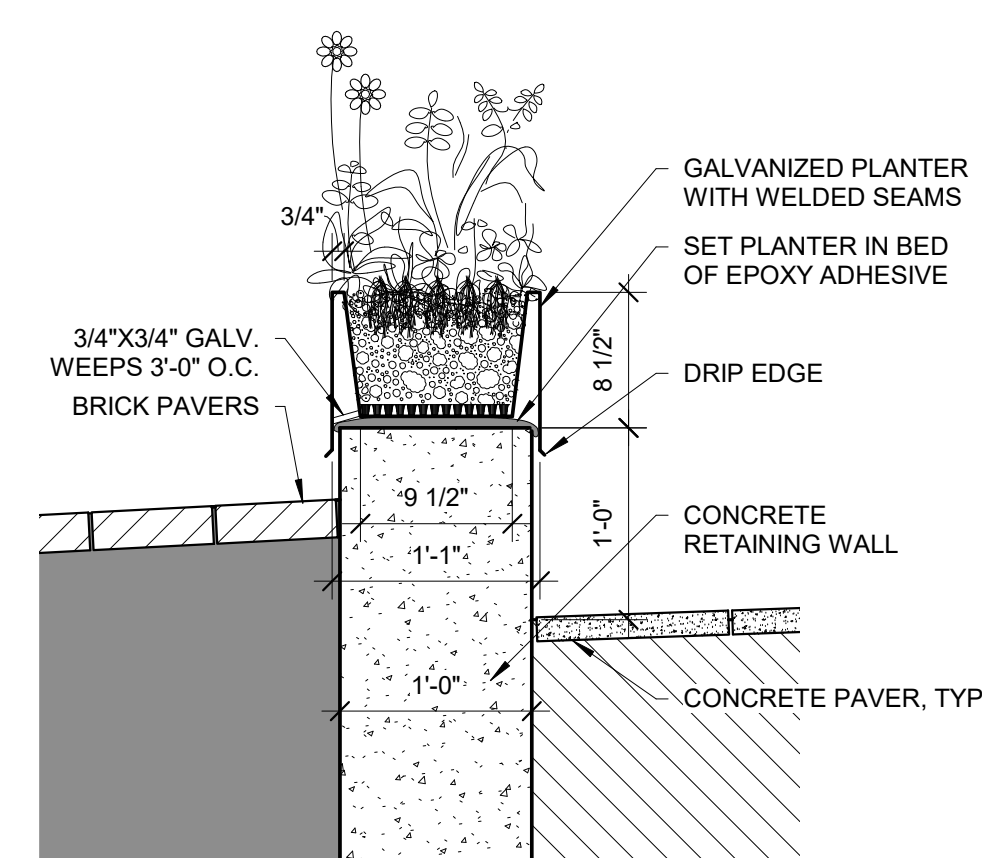
5 | ELEVATION AT DECK PARTITION
1/2" = 1'-0"



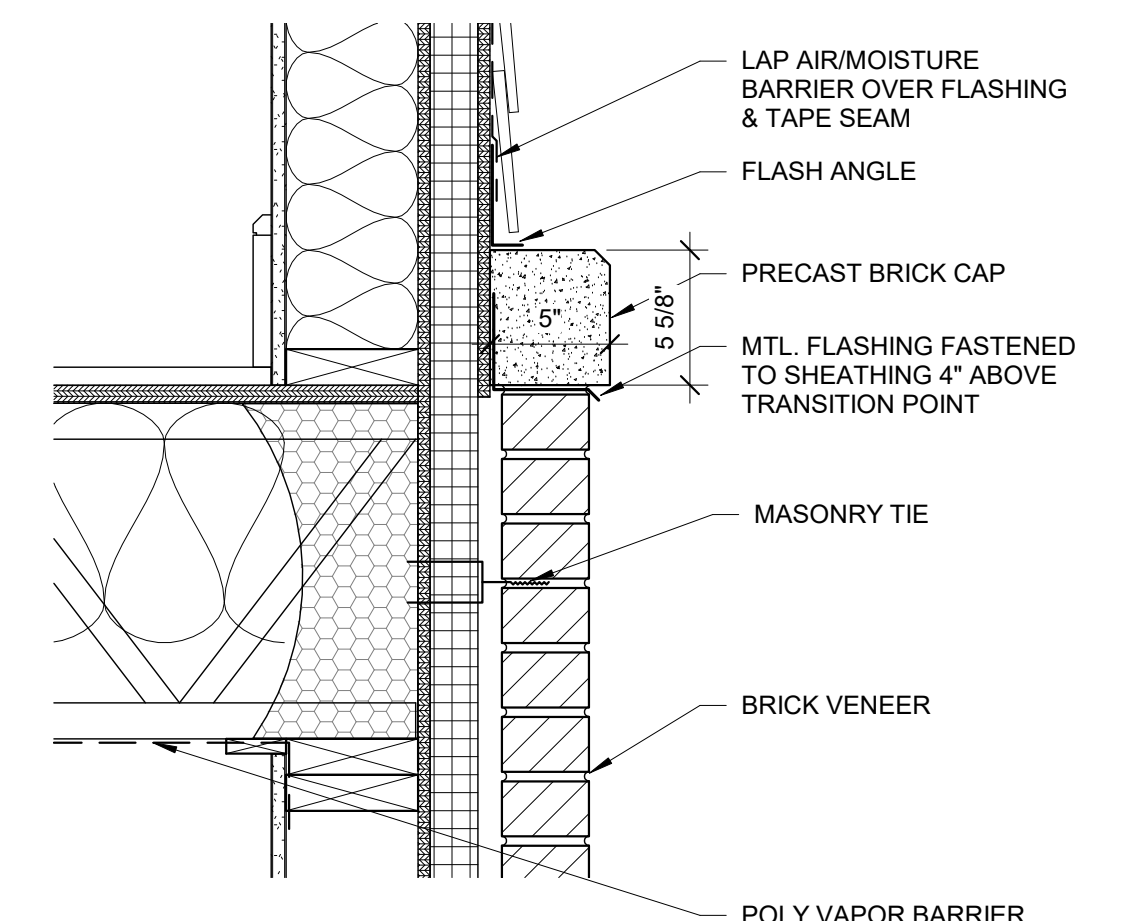
2 | BRICK DETAIL AT GRADE
1 1/2" = 1'-0"



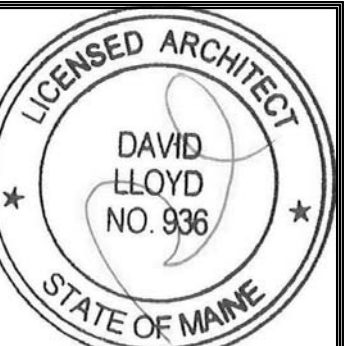
7 | BRICK DETAIL AT OVERHEAD DOOR
1" = 1'-0"



3 | PLANTER DETAIL
1" = 1'-0"



1 | BRICK CAP DETAIL
1 1/2" = 1'-0"



Prepared For:
Bramhall Row, LLC

Consultant:
ARCHETYPE architects
48 Union Wharf Portland, Maine 04101
(207) 772-6022 ARCHETYPE@ARCHETYPEPA.COM

Project:
BRAMHALL ROW
749 CONGRESS ST
PORTLAND, MAINE

Revisions:
Date: 21 NOV 2016
Scale: As indicated
EXTERIOR DETAILS

A5.03