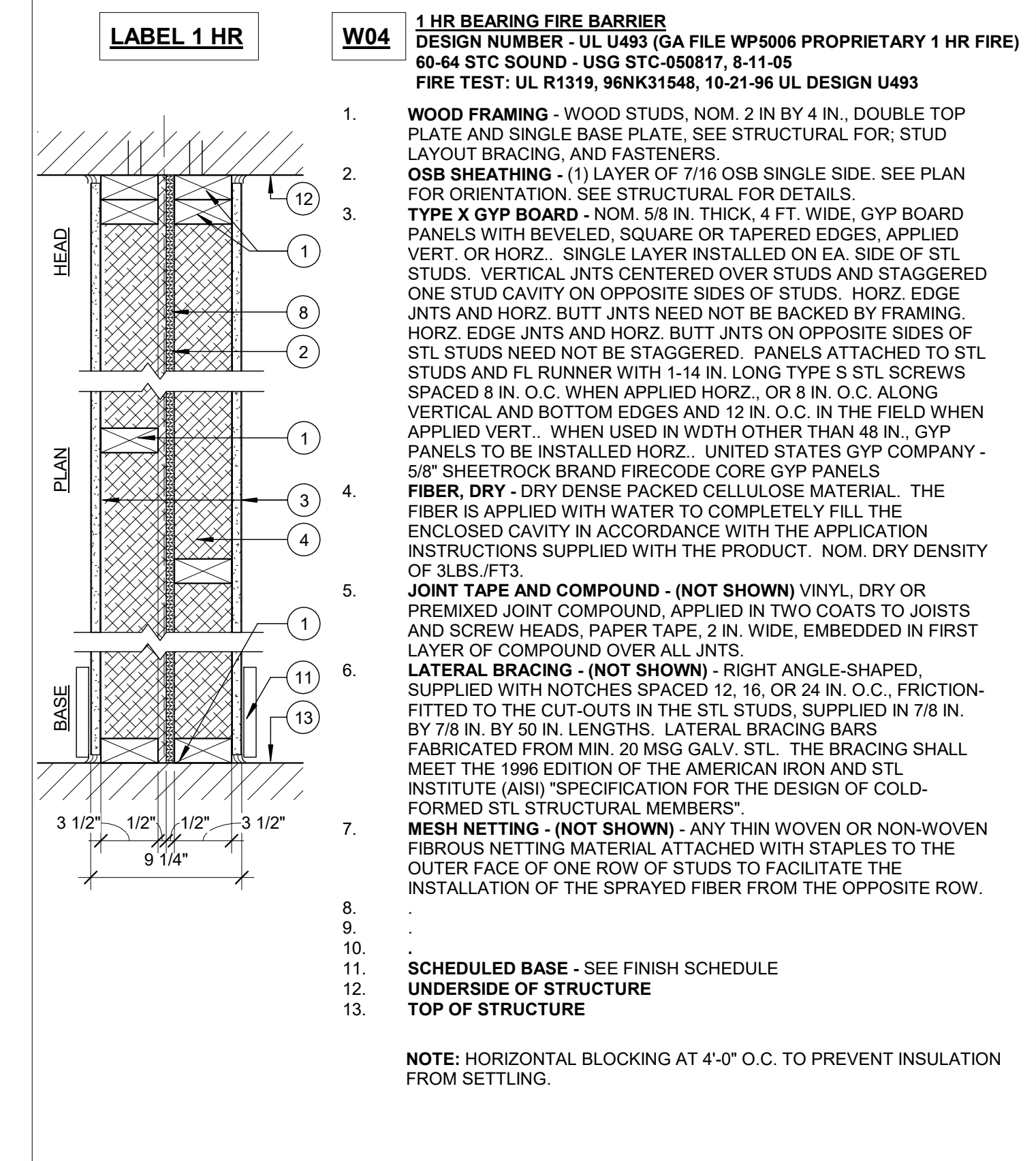
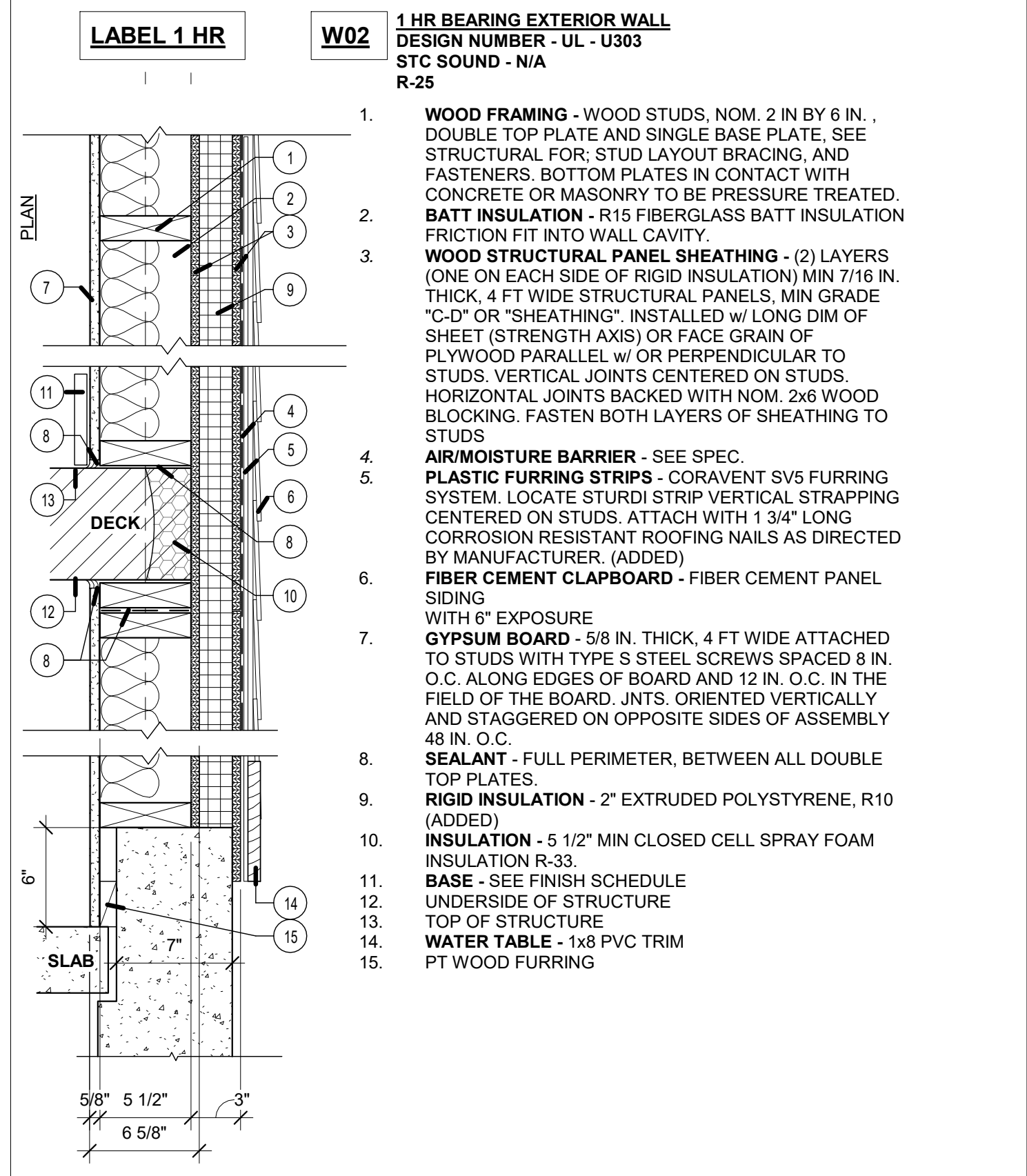


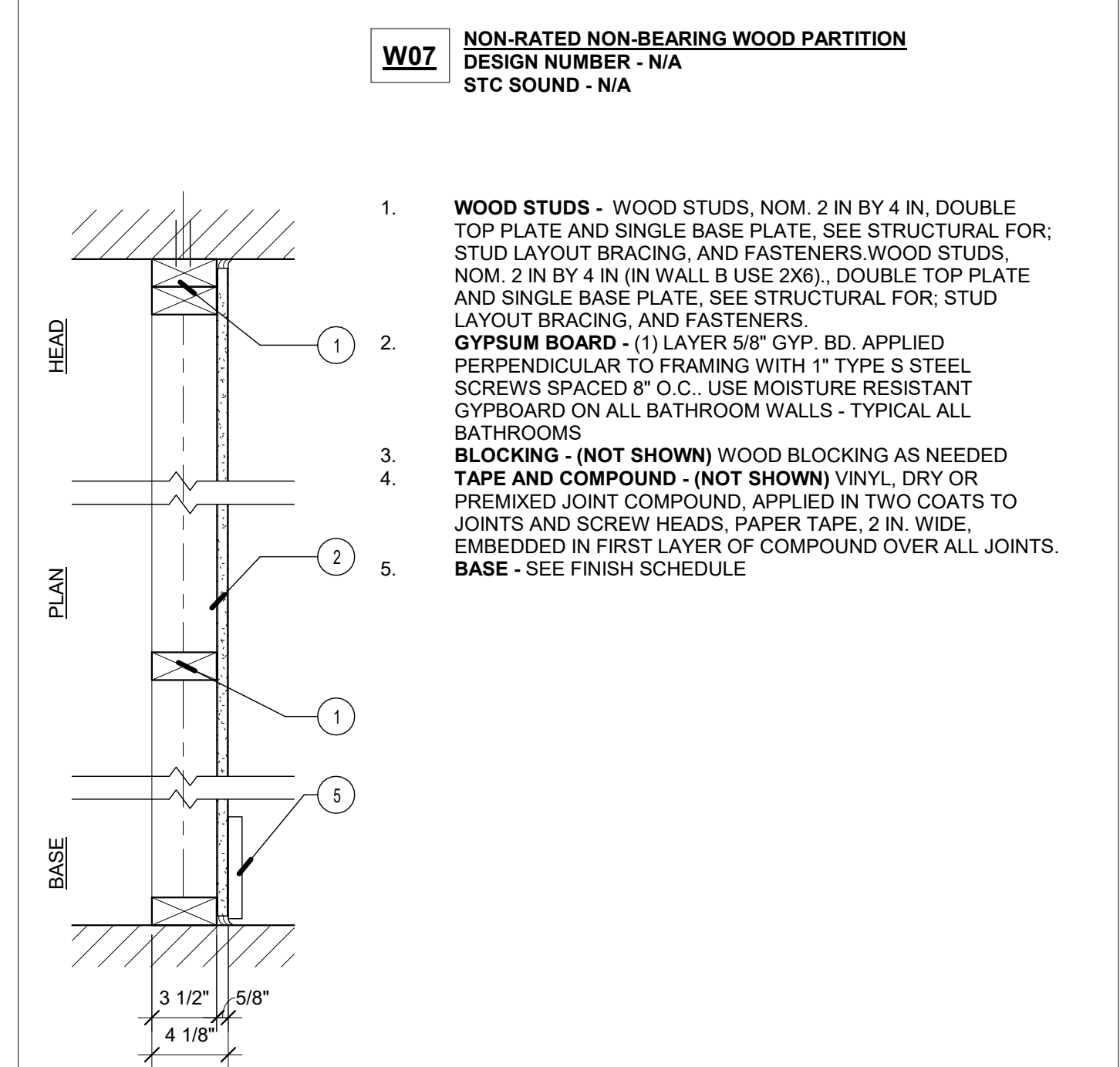
6 | WALL TYPE 06 - EXT. WHITE OAK SHIPLAP
1 1/2" = 1'-0"



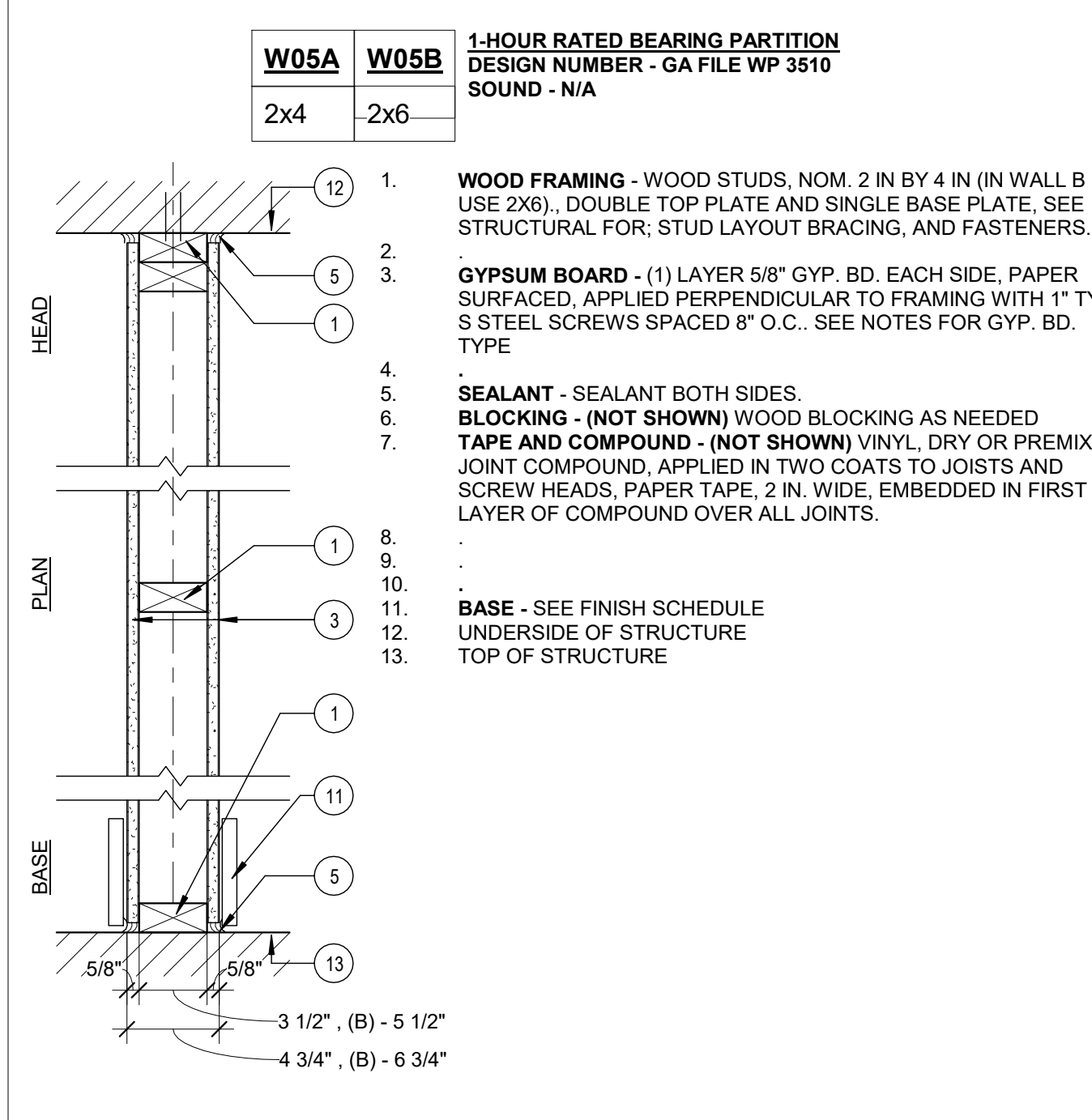
4 | WALL TYPE 04 - WD STD - DEMISING - 9 1/4"
1 1/2" = 1'-0"



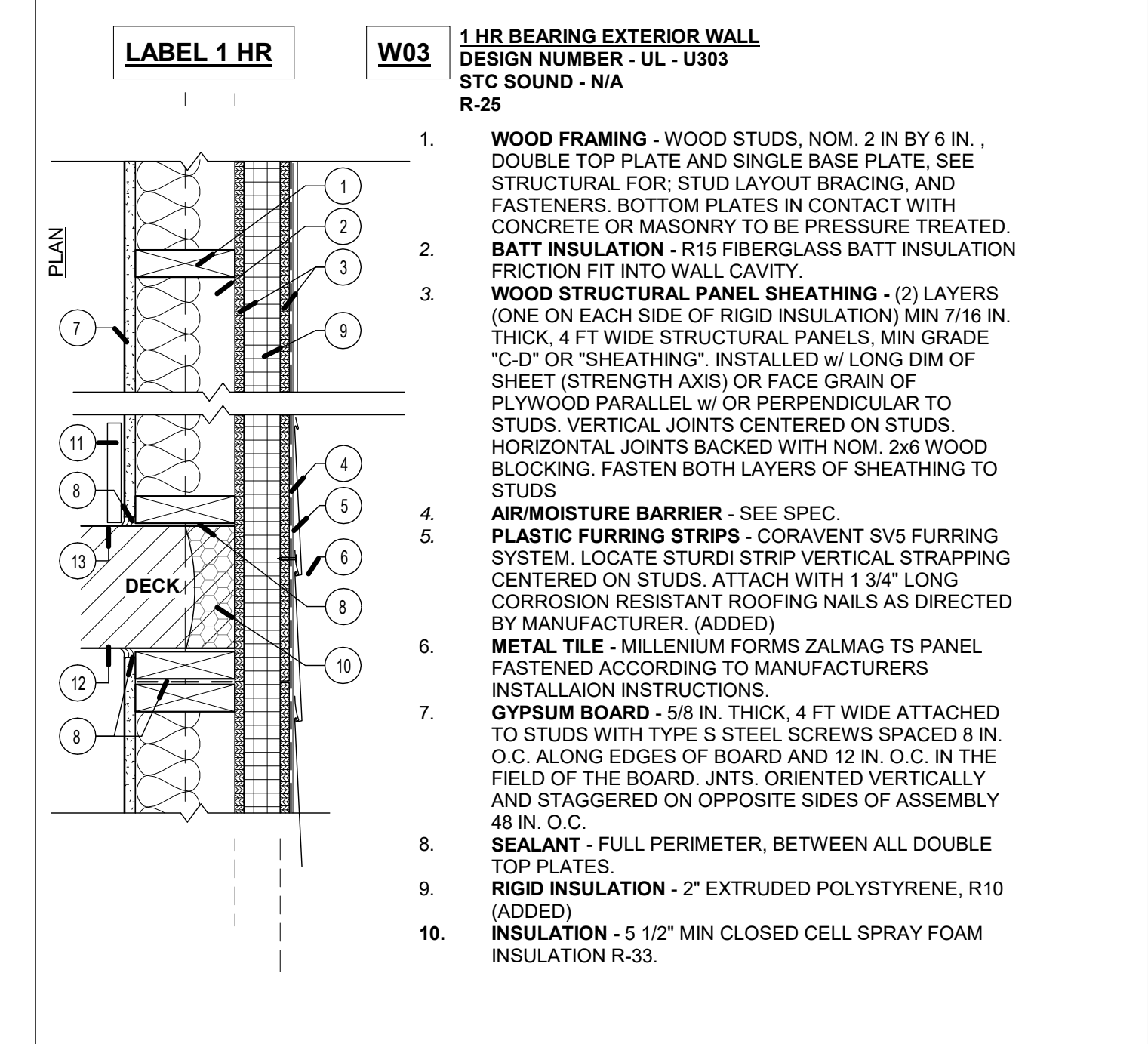
2 | WALL TYPE 02 - EXT. FIBER CEMENT CLAPBOARD
1 1/2" = 1'-0"



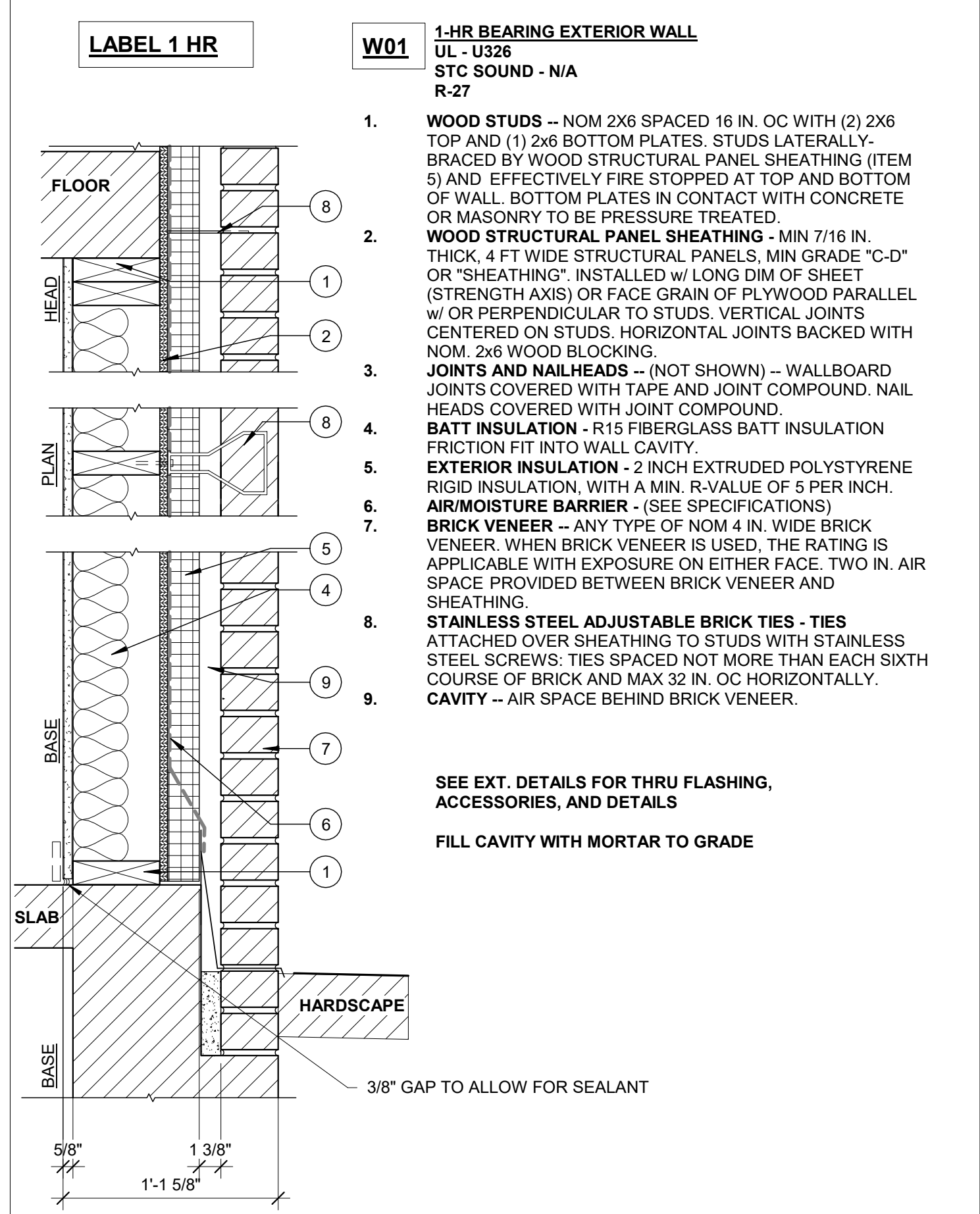
7 | WALL 07 - ONE-SIDED PARTITION
1 1/2" = 1'-0"



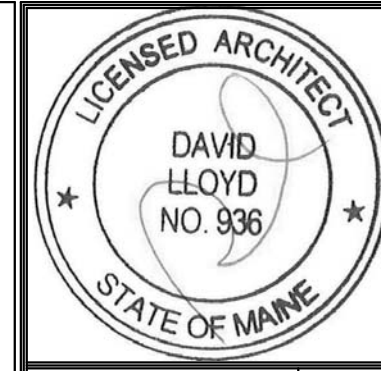
5 | WALL 05A&B - 1-HR RATED - BEARING PART.
1 1/2" = 1'-0"



3 | WALL TYPE 03 - EXT. METAL TILE
1 1/2" = 1'-0"



1 | WALL TYPE 01 - EXTERIOR BRICK
1 1/2" = 1'-0"



Prepared For:
Bramhall Row, LLC

Consultant:
ARCHETYPE architects
48 Union Wharf Portland, Maine 04101
(207) 772-6022 ARCHETYPE@ARCHETYPEPA.COM

Architect:
ARCHETYPE architects
48 Union Wharf Portland, Maine 04101
(207) 772-6022 ARCHETYPE@ARCHETYPEPA.COM

Project:
BRAMHALL ROW
749 CONGRESS ST
PORTLAND, MAINE

Revisions:

Date:
21 NOV 2016
Scale:
1 1/2" = 1'-0"
WALL TYPES

A4.00