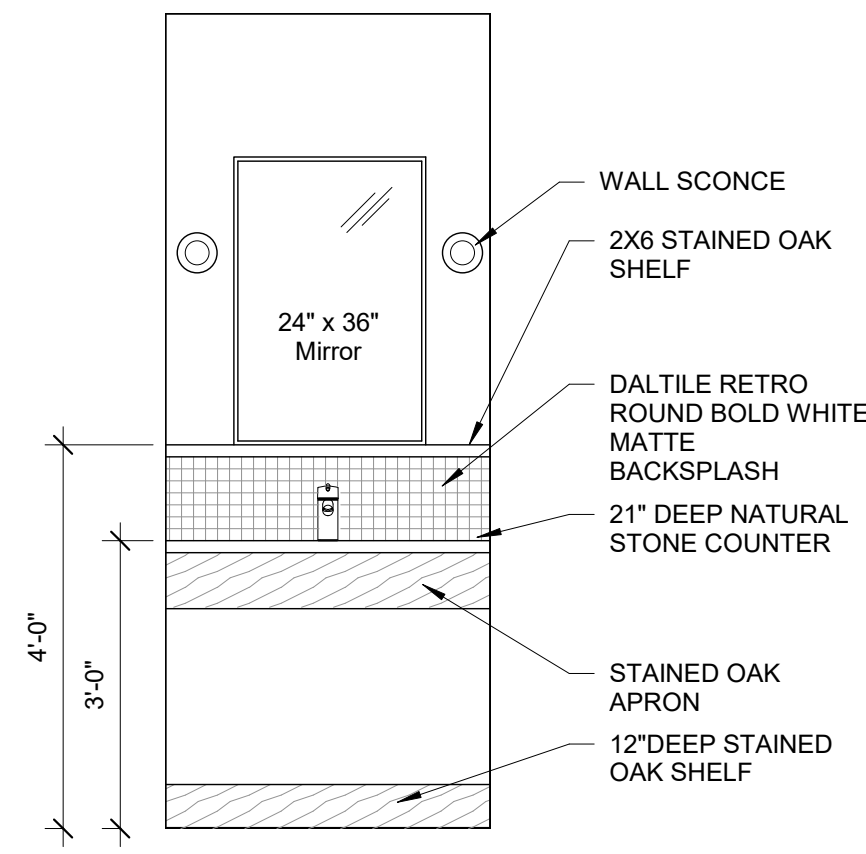
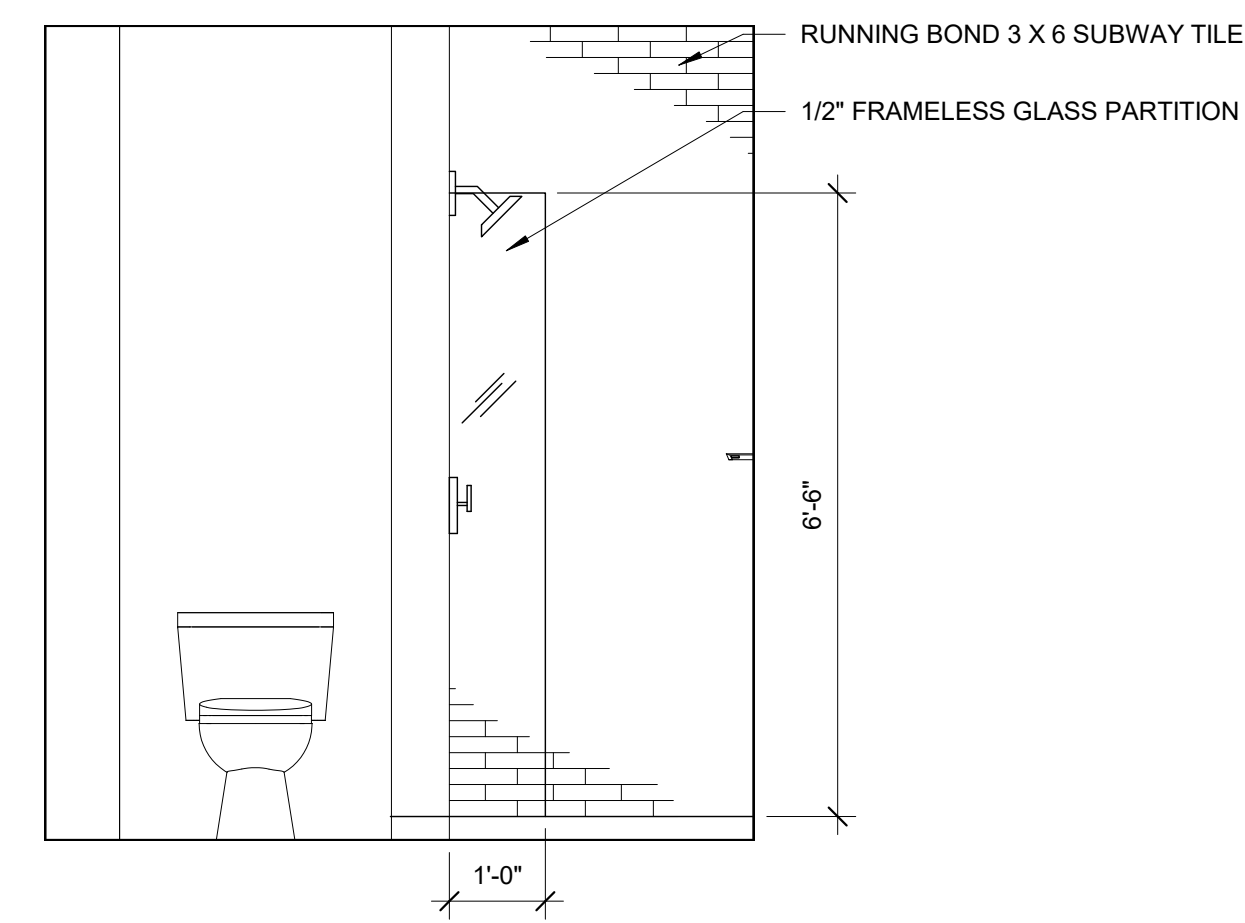


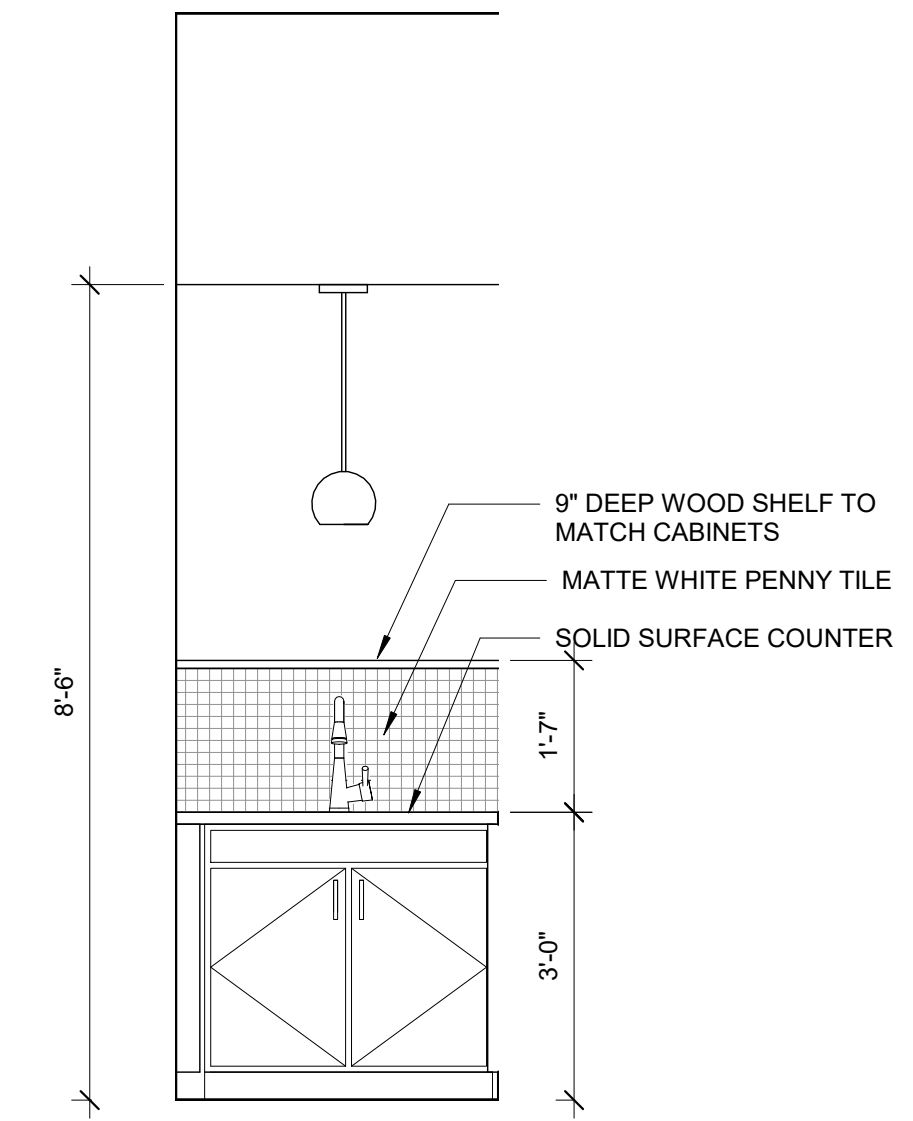
8 | 1ST FLOOR - KING SUITE - E
1/4" = 1'-0"



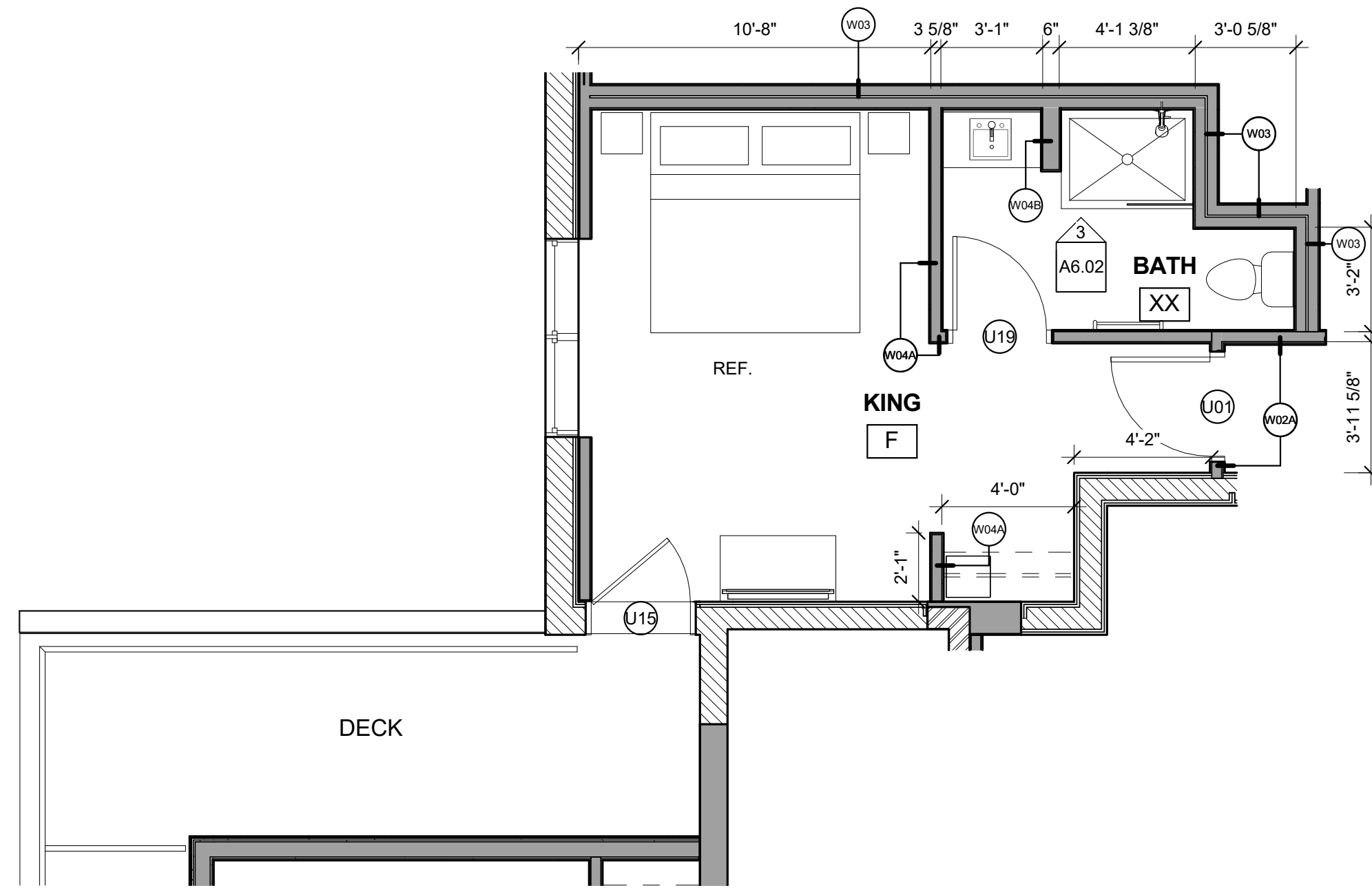
7 | KING SUITE E VANITY ELEVATION
1/2" = 1'-0"



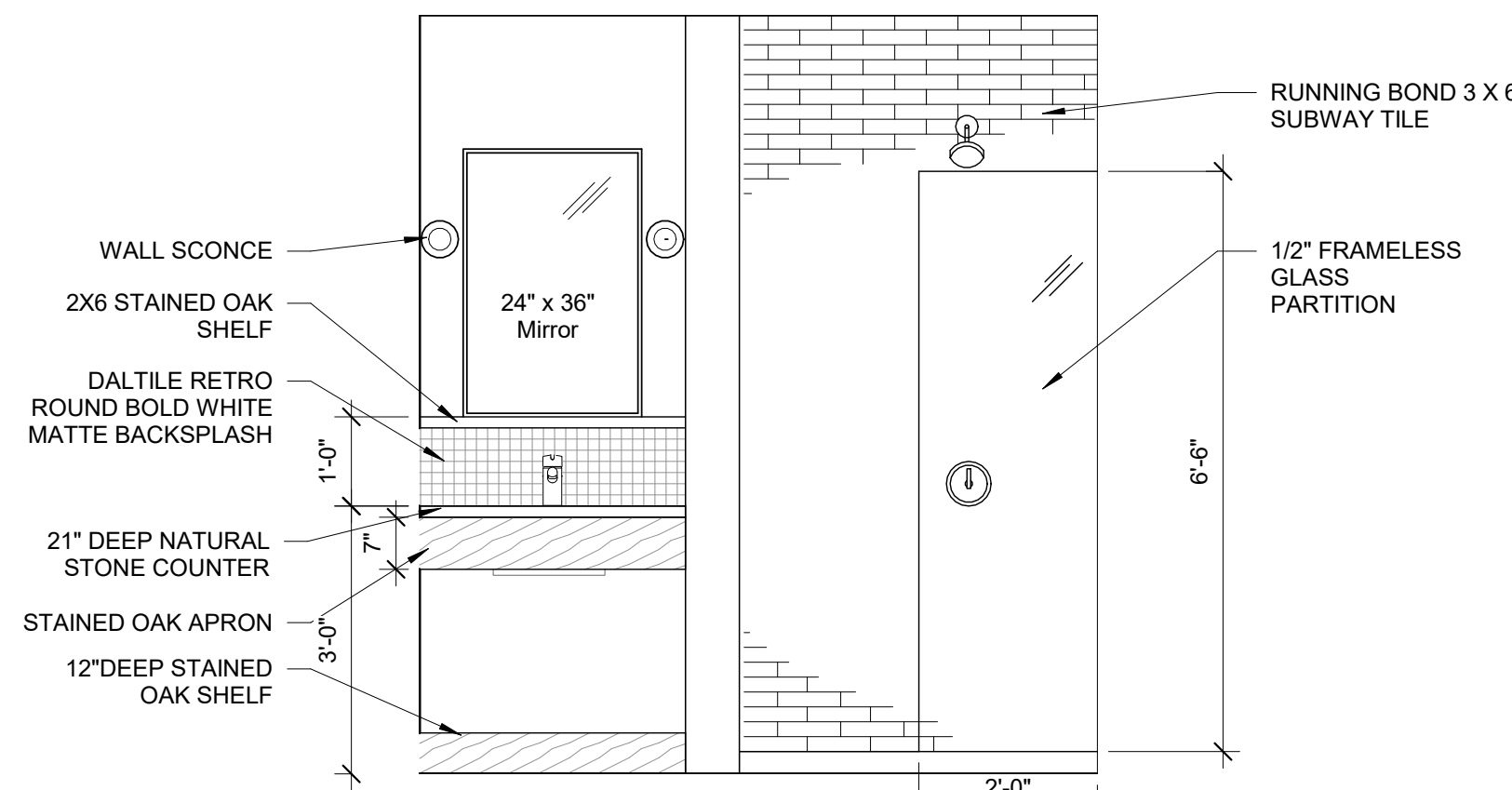
6 | KING SUITE E SHOWER WALL
1/2" = 1'-0"



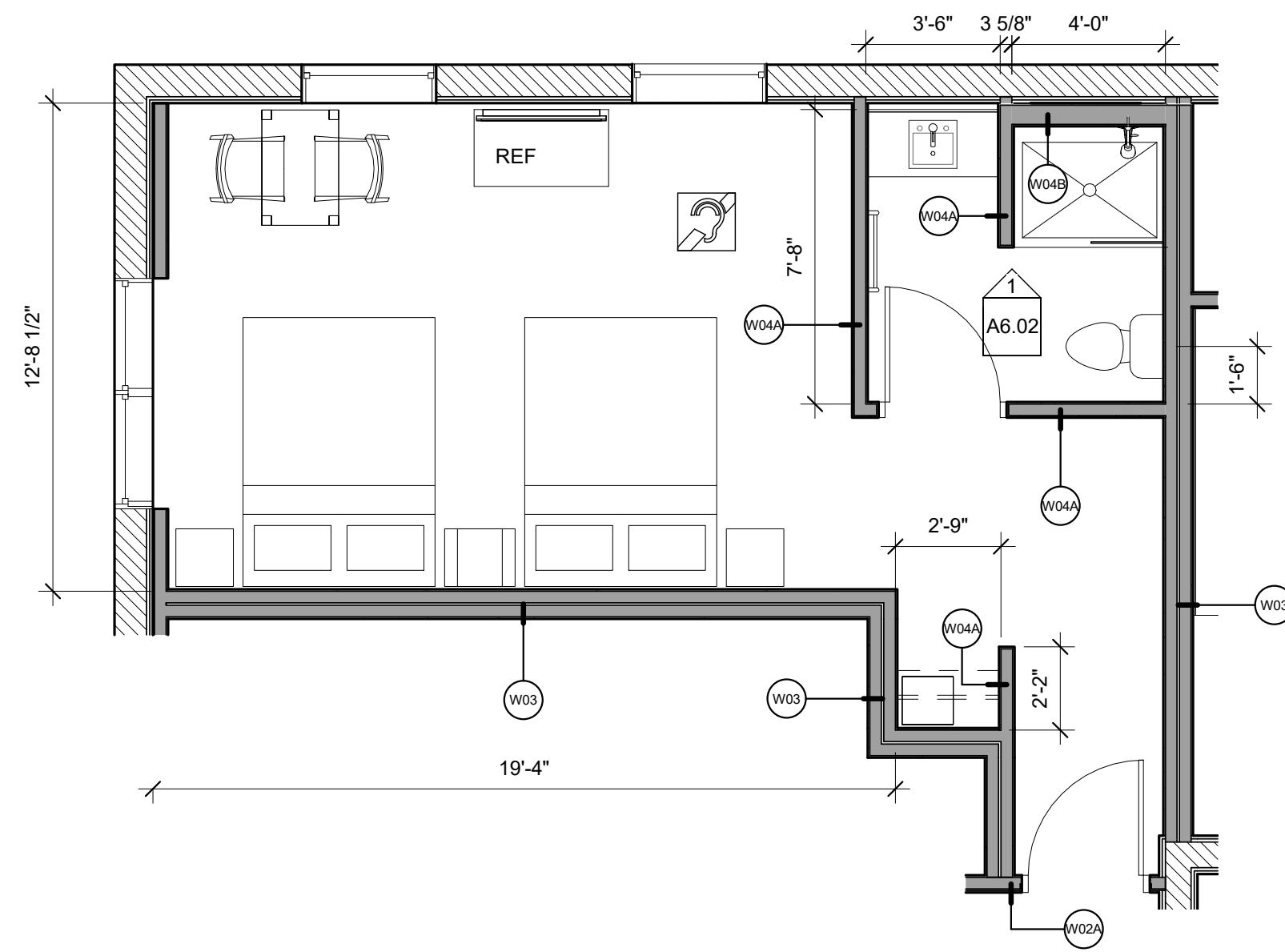
5 | KING SUITE E MINI BAR
1/2" = 1'-0"



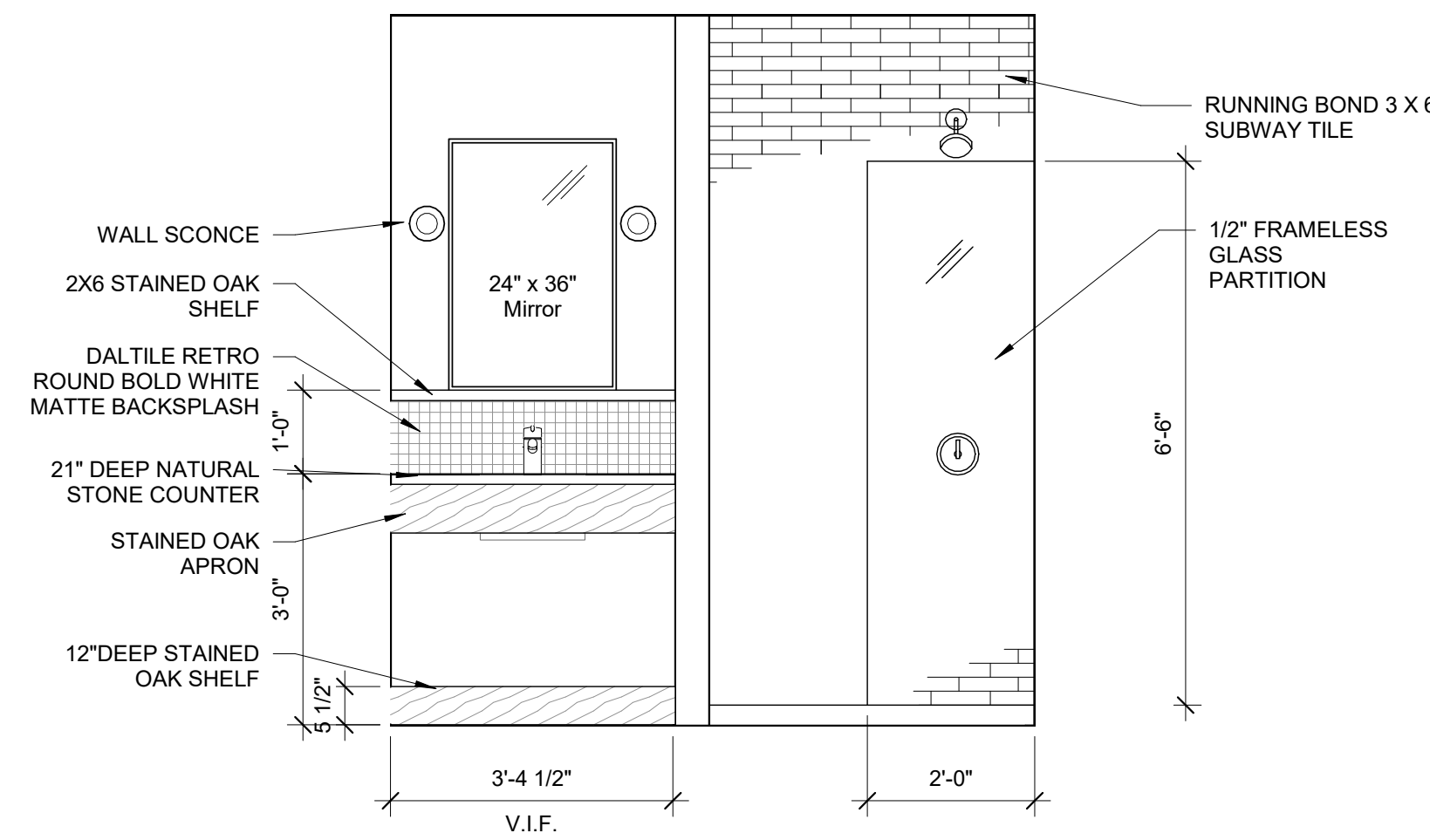
4 | 1ST FLOOR - KING - F
1/4" = 1'-0"



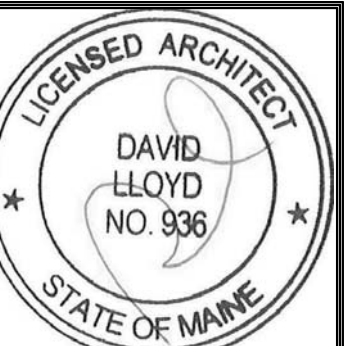
3 | KING VANITY/ SHOWER WALL
1/2" = 1'-0"



2 | 1ST FLOOR DOUBLE QUEEN - G
1/4" = 1'-0"



1 | QUEEN VANITY/SHOWER WALL
1/2" = 1'-0"



Prepared For:
747 CONGRESS LLC
Address
City, State

Consultant:
ARCHETYPE architects
48 Union Wharf Portland, Maine 04101
(207) 772-6022 ARCHETYPE@ARCHETYPEPA.COM

Project:
THE FRANCIS
749 CONGRESS ST
PORTLAND, ME 04102

Revisions:
Date: **07 OCT 2016**
Scale: **As indicated**
ENLARGED ROOM PLANS

A6.02