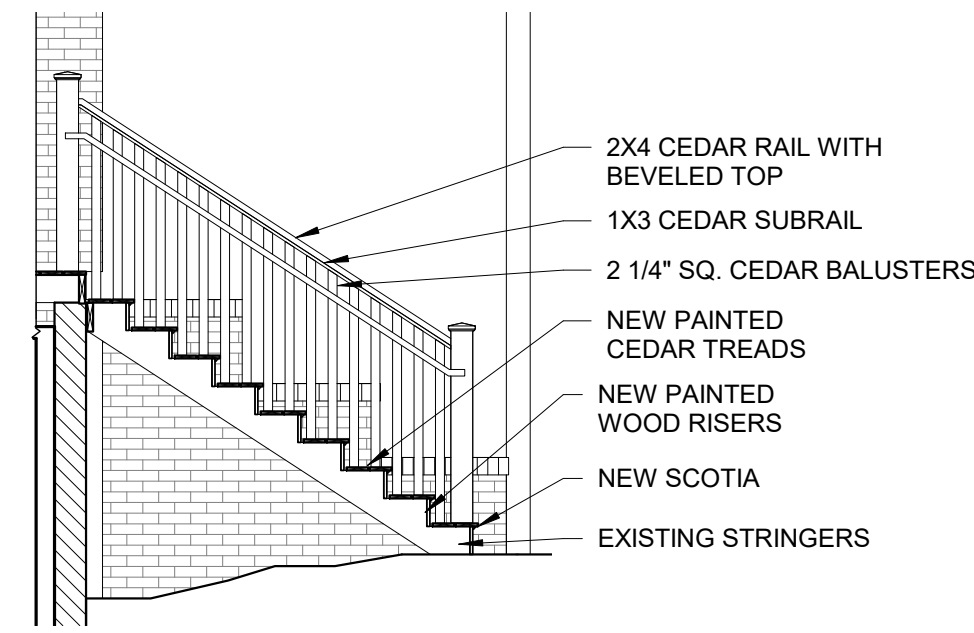


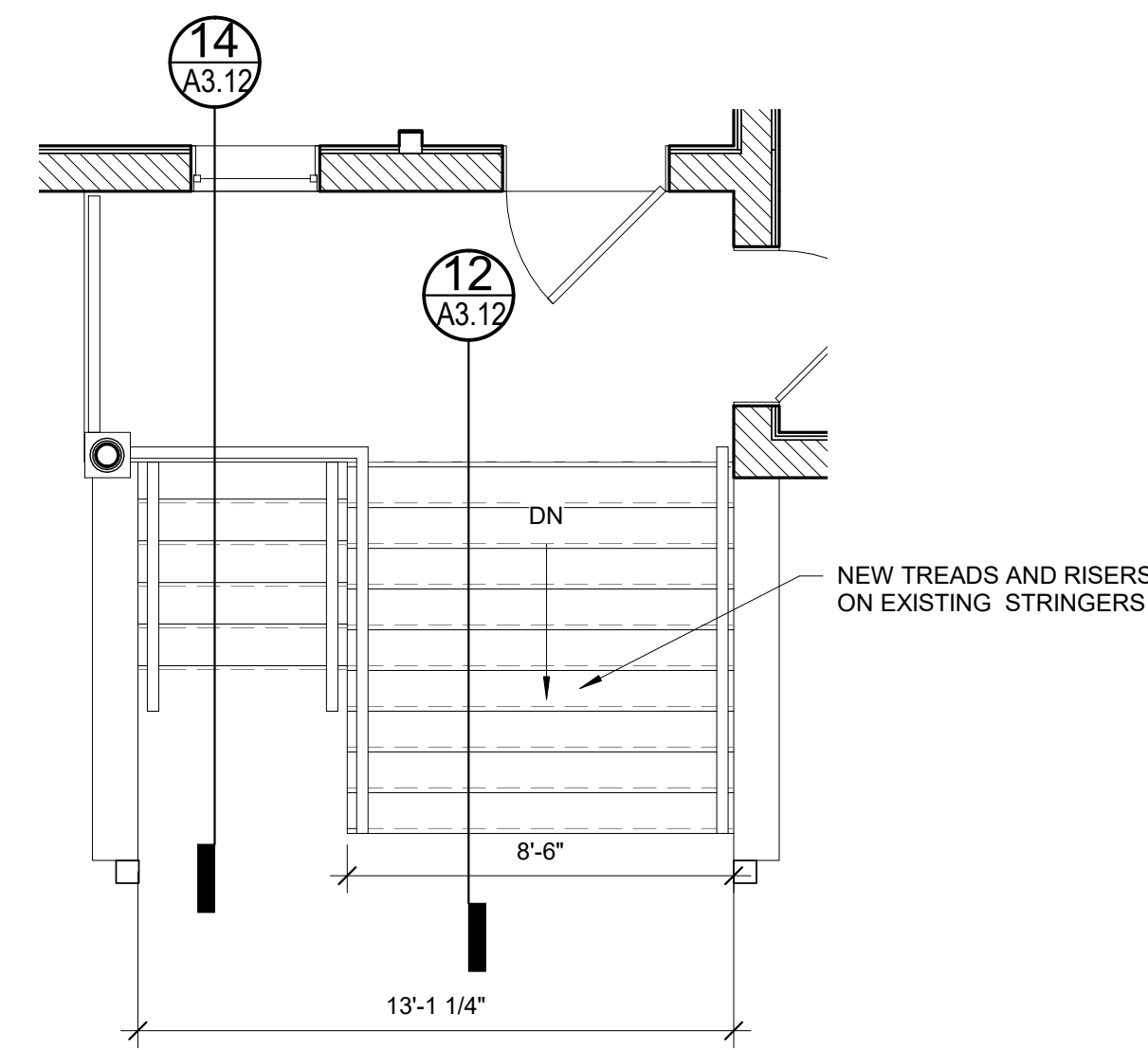
14 DECK DETAIL

1/2" = 1'-0"



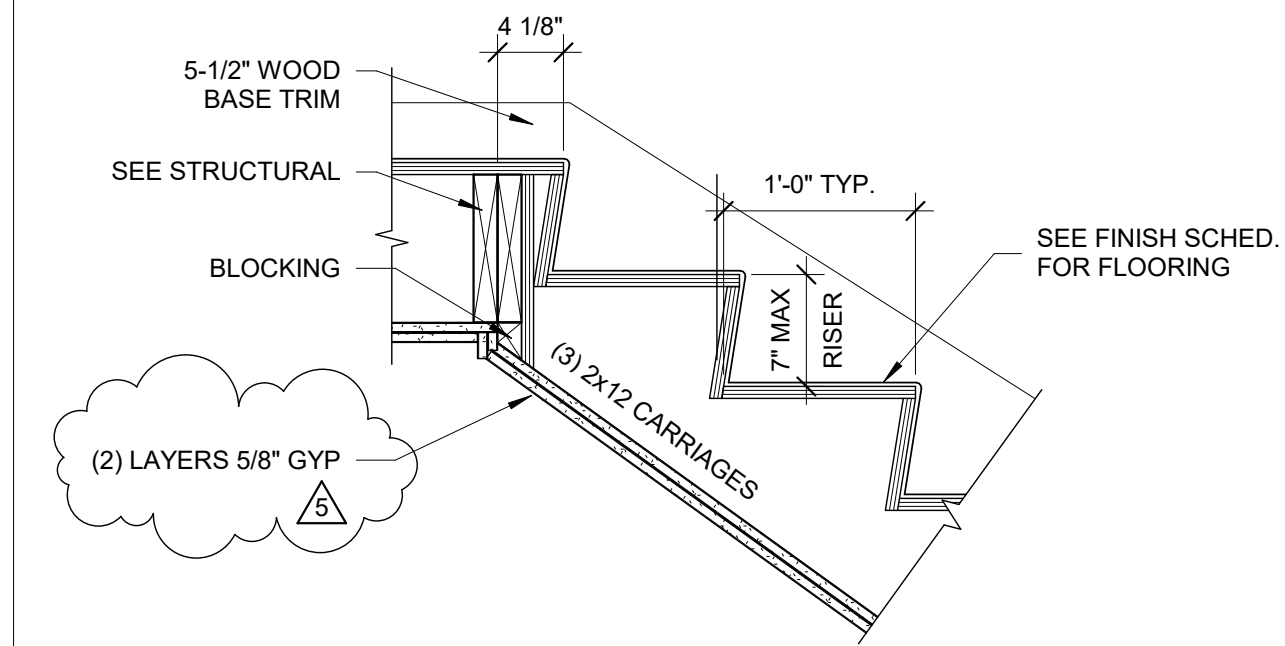
12 PORCH STAIR SECTION

1/4" = 1'-0"



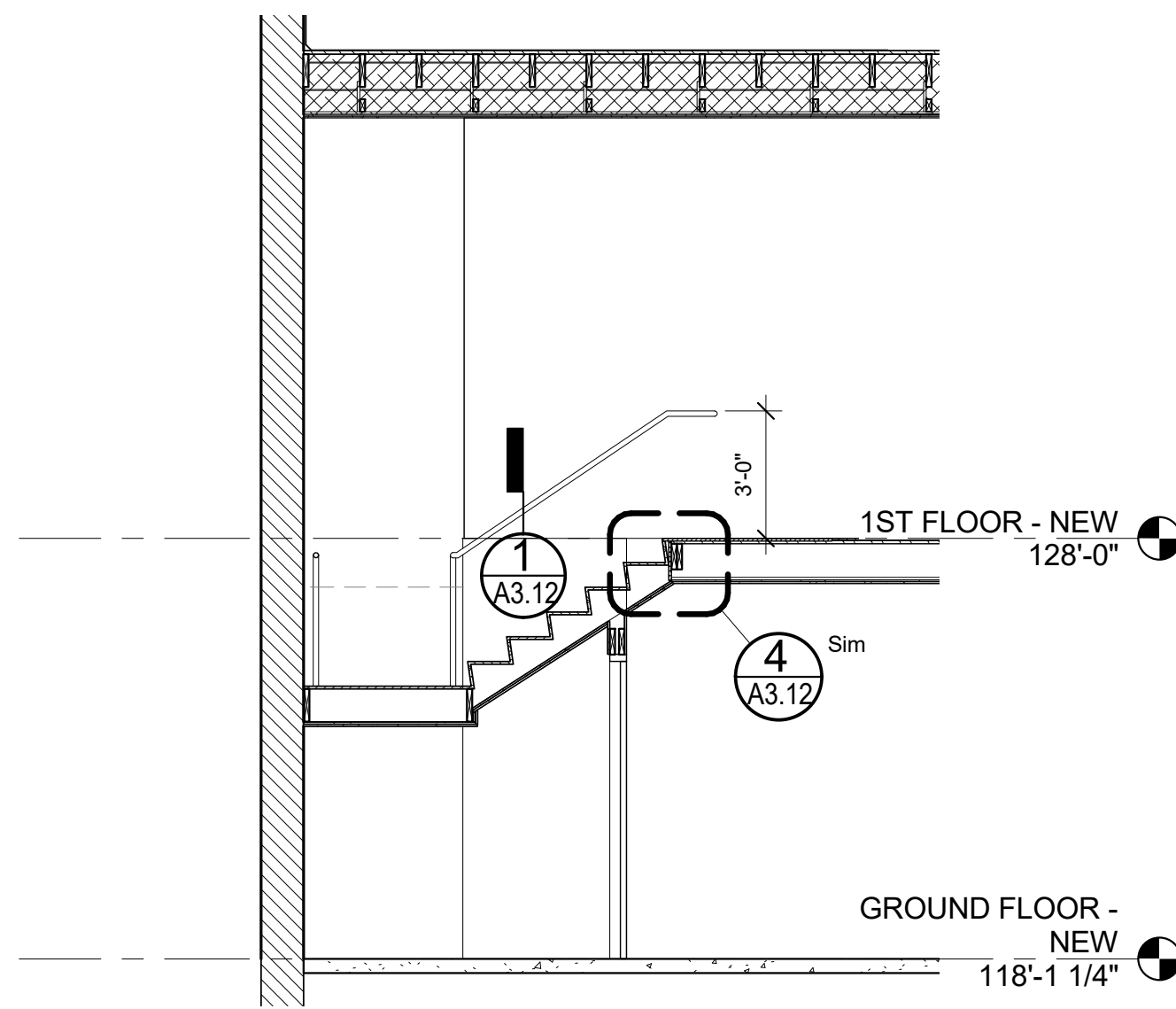
9 PORCH AND STAIR PLAN

1/4" = 1'-0"



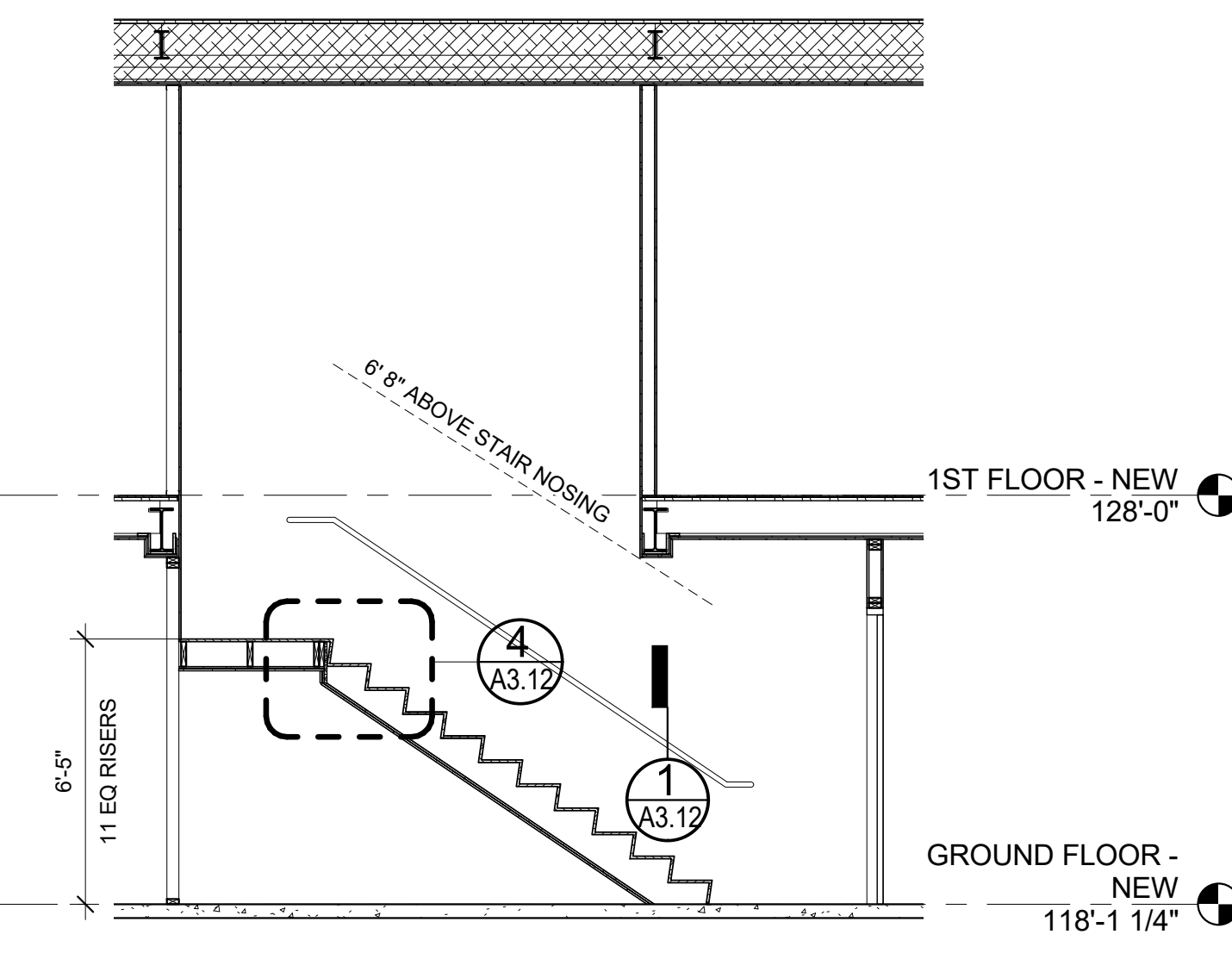
4 STAIR/LANDING DETAIL

1" = 1'-0"



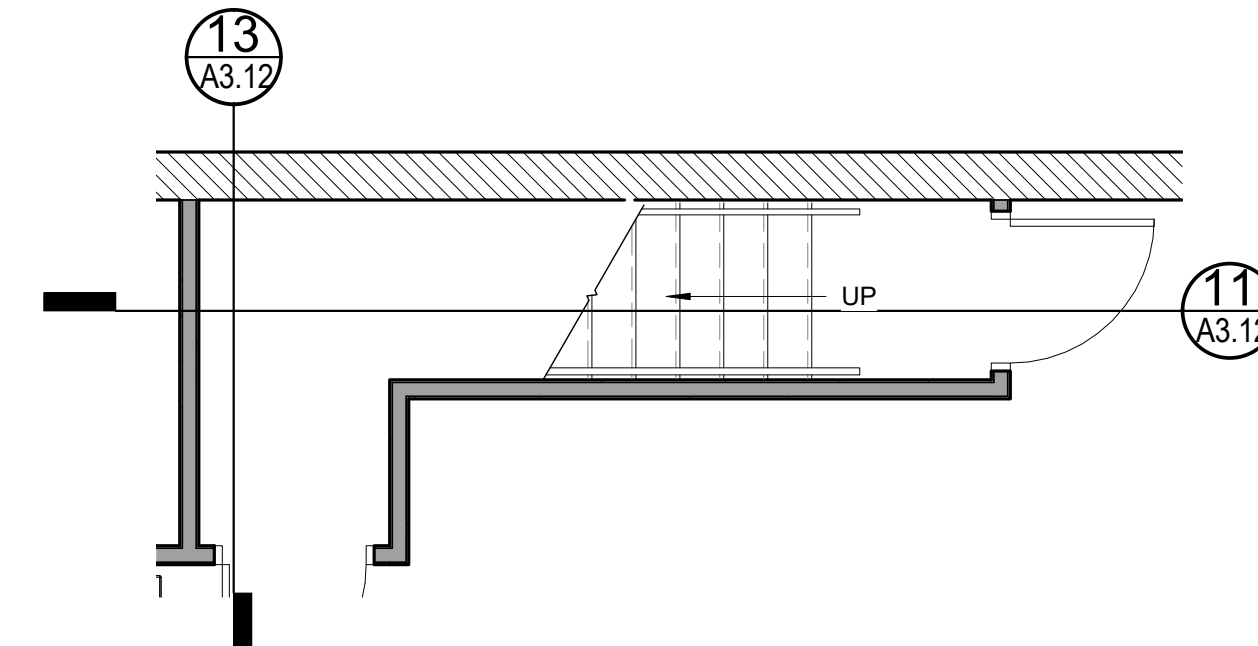
13 STAIR E SECTION

1/4" = 1'-0"



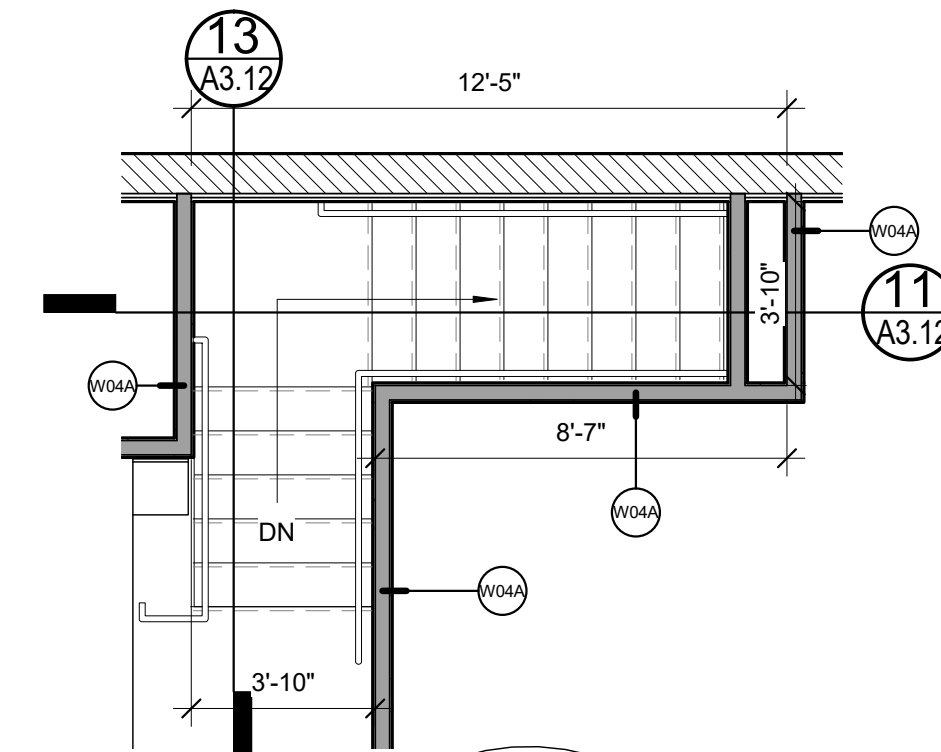
11 NEW STAIR E SECTION

1/4" = 1'-0"



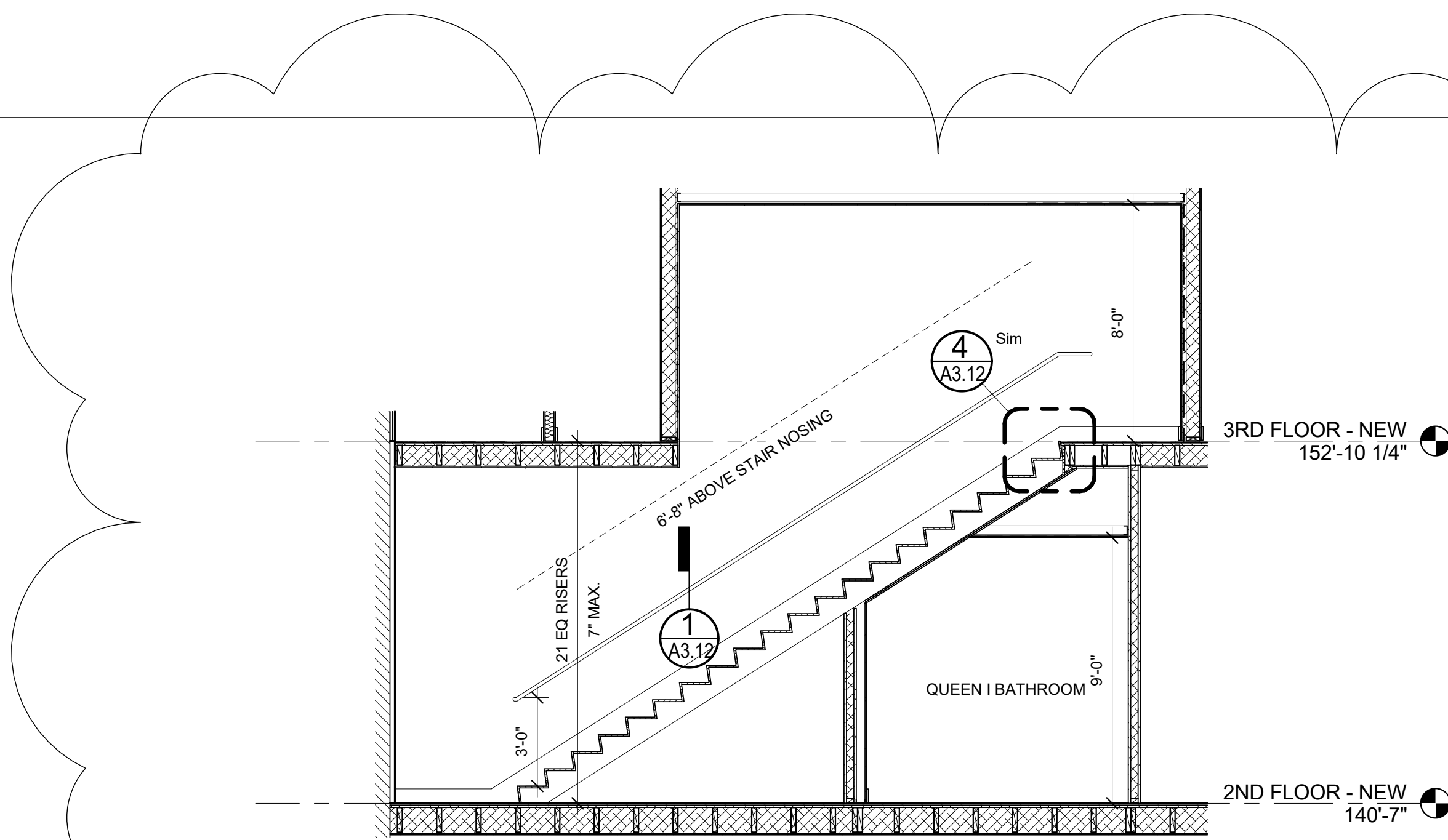
8 NEW STAIR E GROUND FLOOR PLAN

1/4" = 1'-0"



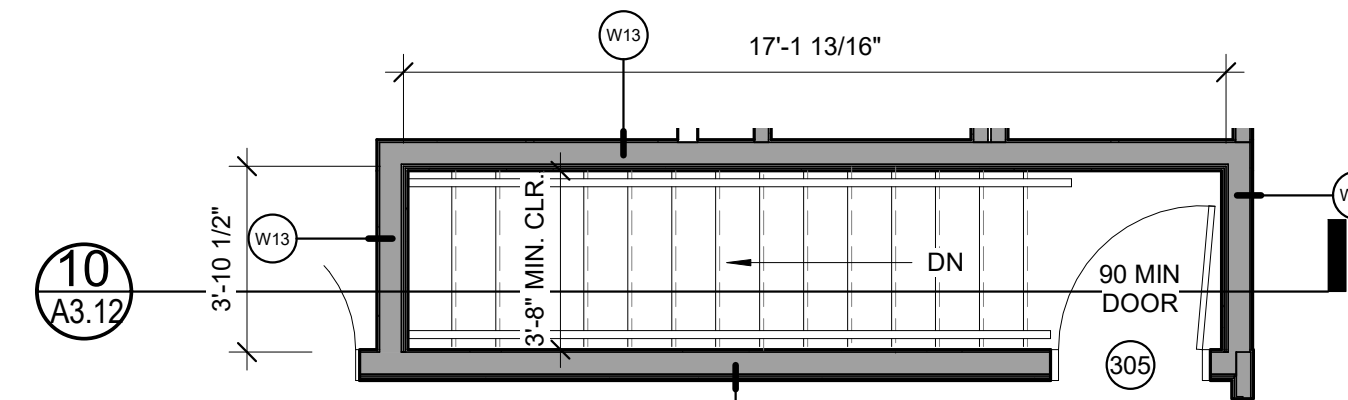
7 NEW STAIR E FIRST FLOOR PLAN

1/4" = 1'-0"



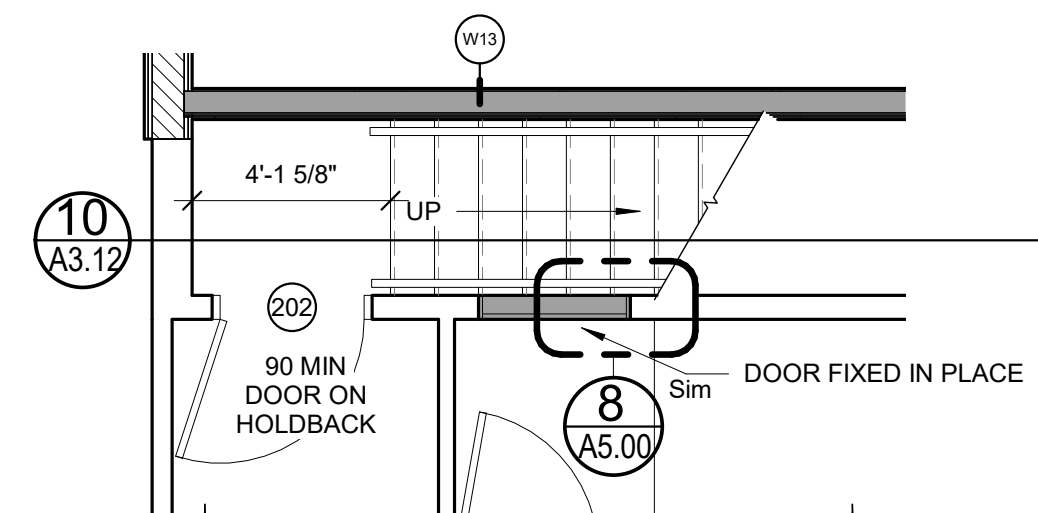
10 STAIR F SECTION

1/4" = 1'-0"



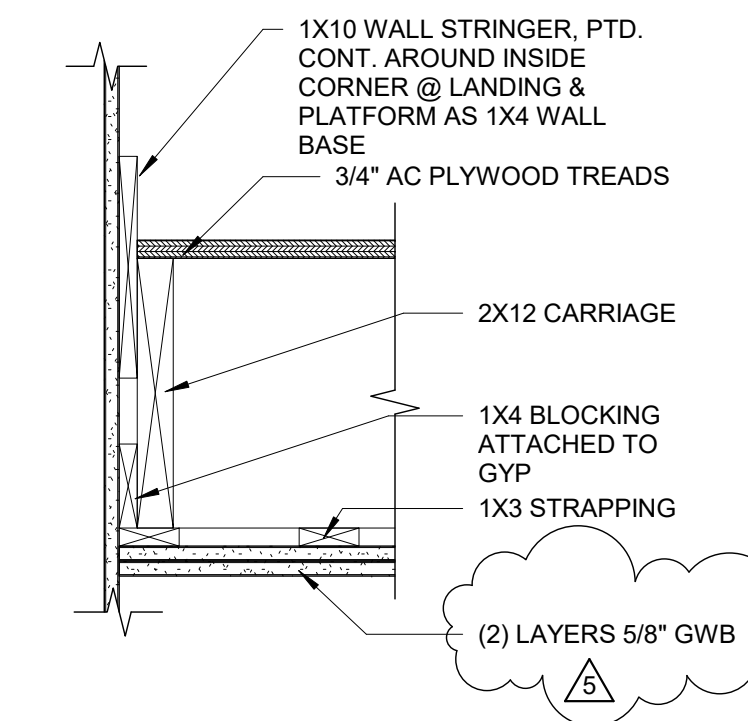
6 STAIR F THIRD FLOOR PLAN

1/4" = 1'-0"



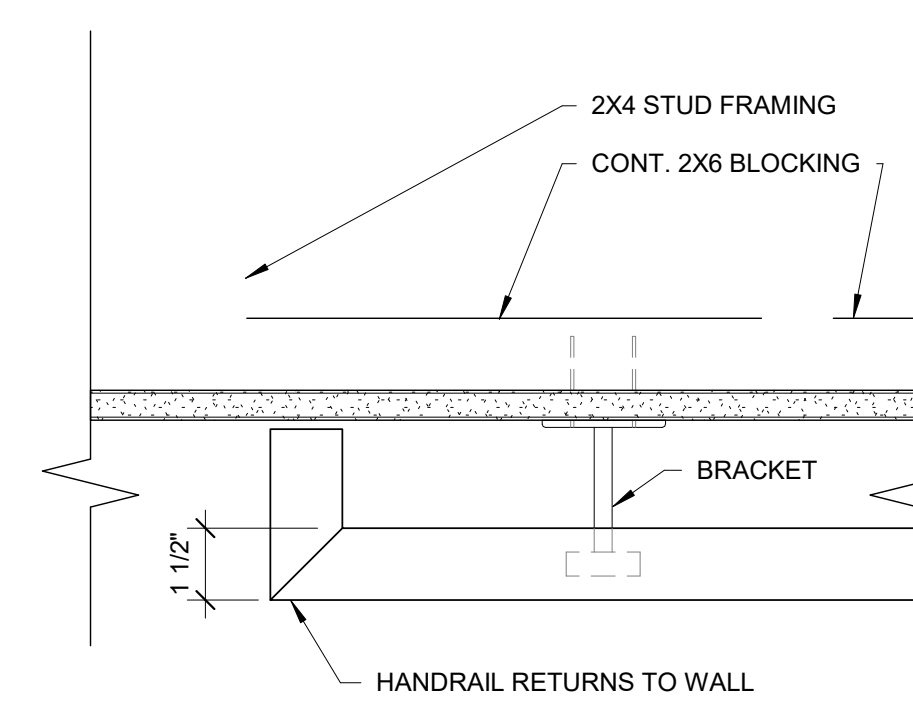
5 STAIR F SECOND FLOOR PLAN

1/4" = 1'-0"



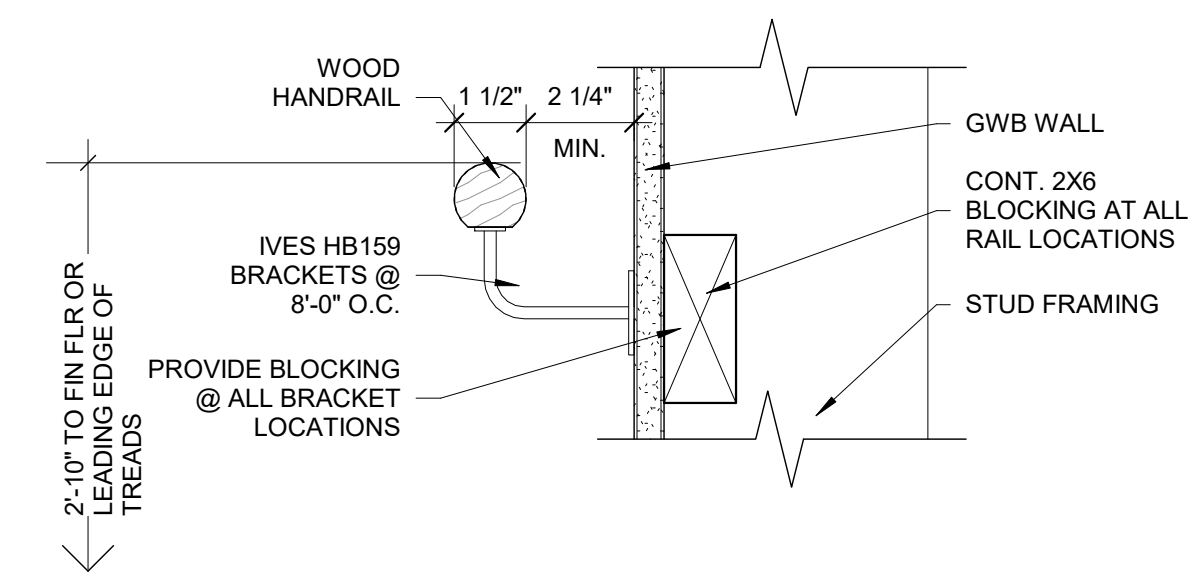
3 STRINGER DETAIL

1 1/2" = 1'-0"



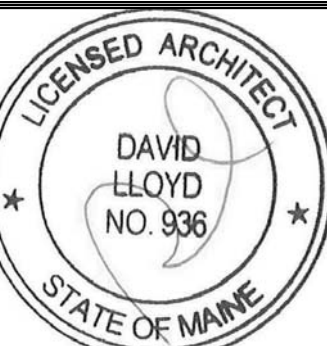
2 HANDRAIL - WOOD - PLAN DETAIL

3" = 1'-0"



1 STAIR - WOOD HANDRAIL DETAIL

3" = 1'-0"



Prepared For:
747 CONGRESS
LLC
Address
City, State

Consultant:
ARCHETYPE
architects
48 Union Wharf Portland, Maine 04101
(207) 772-6022 ARCHETYPE@ARCHETYPEPA.COM

Project:
THE FRANCIS
749 CONGRESS ST
PORTLAND, ME 04102

Revisions:
5 10-04-20 APPENDUM 05
16

Date:
07 OCT 2016
Scale:
As indicated
STAIR SECTIONS AND
DETAILS

A3.12