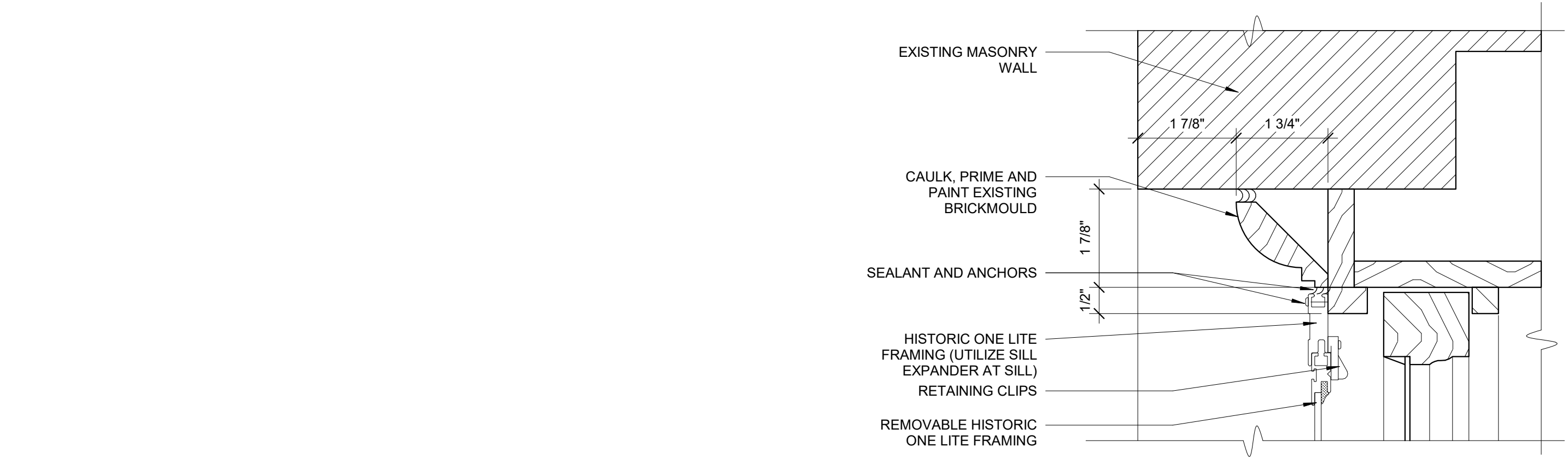


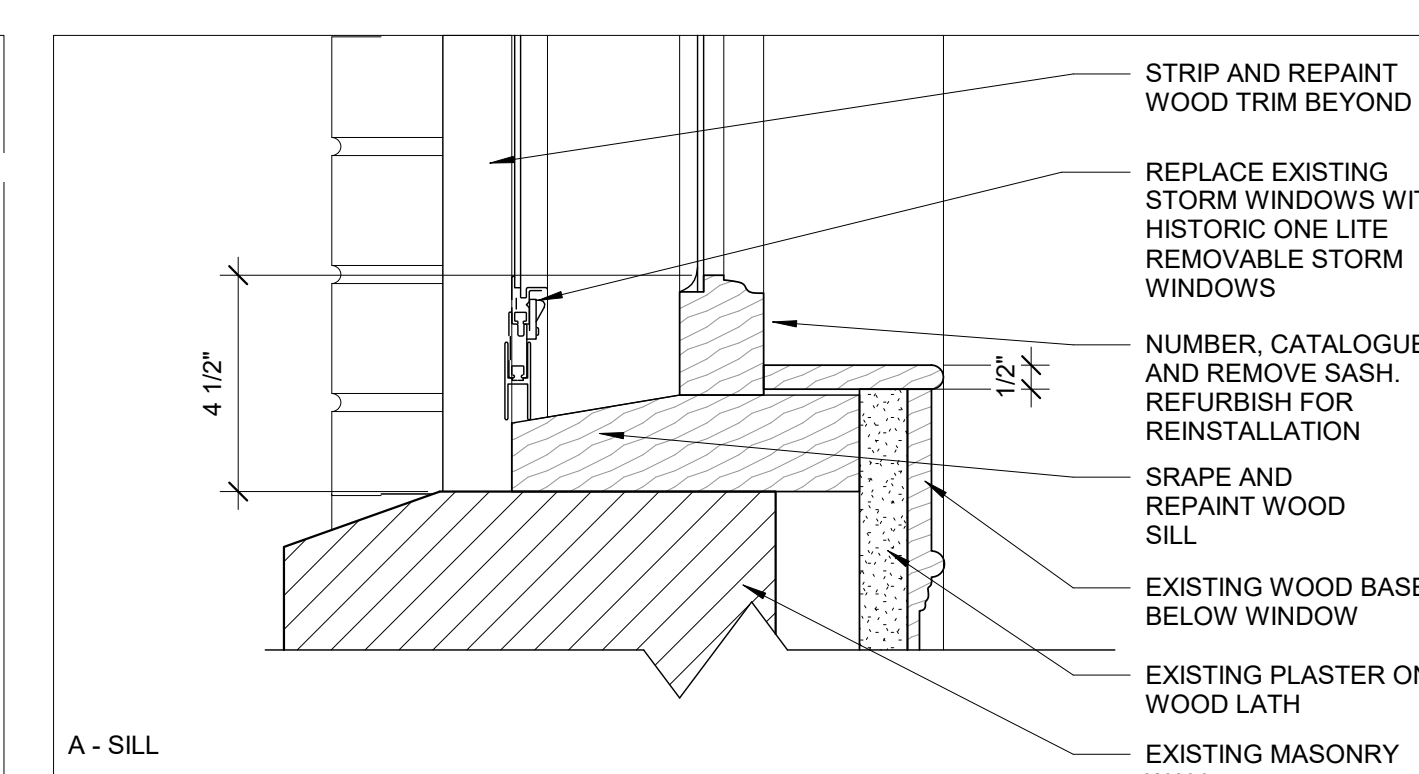
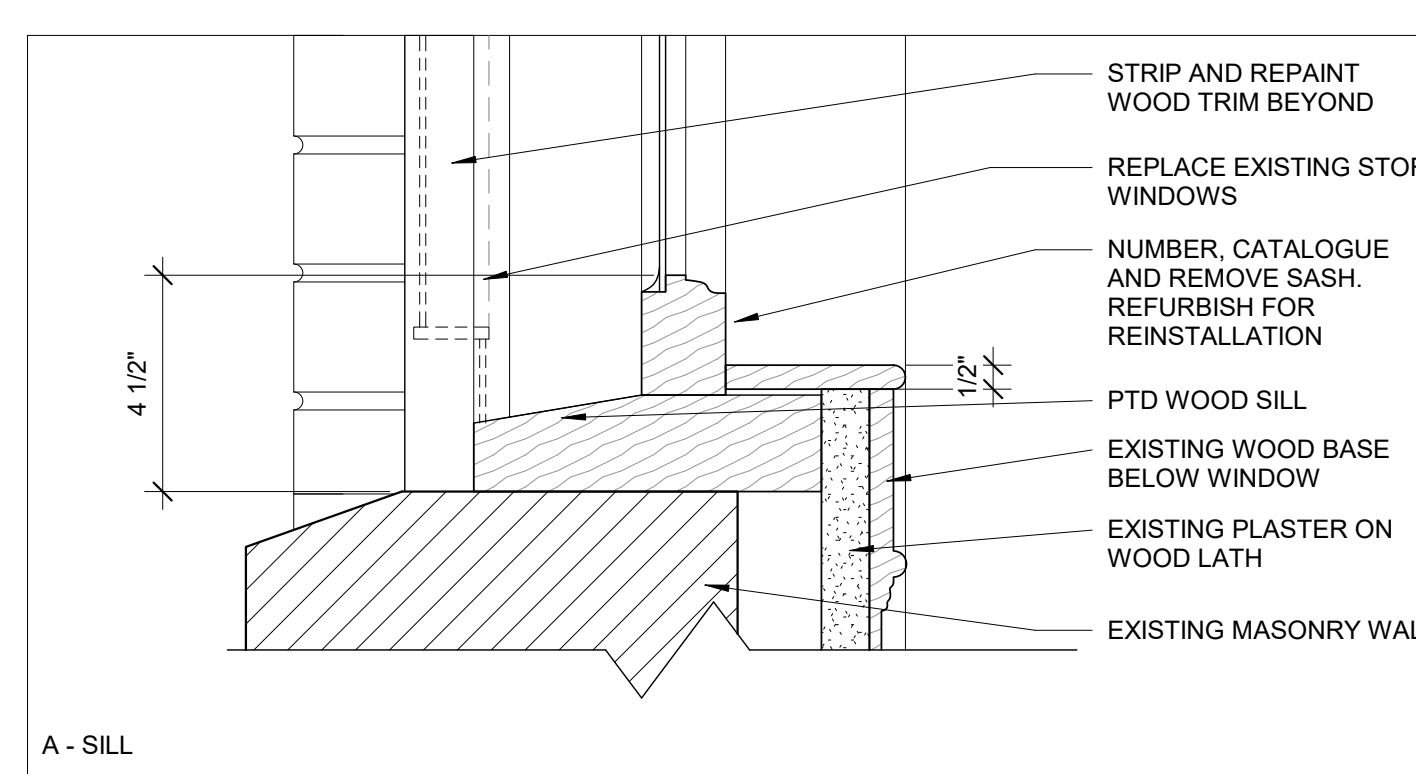
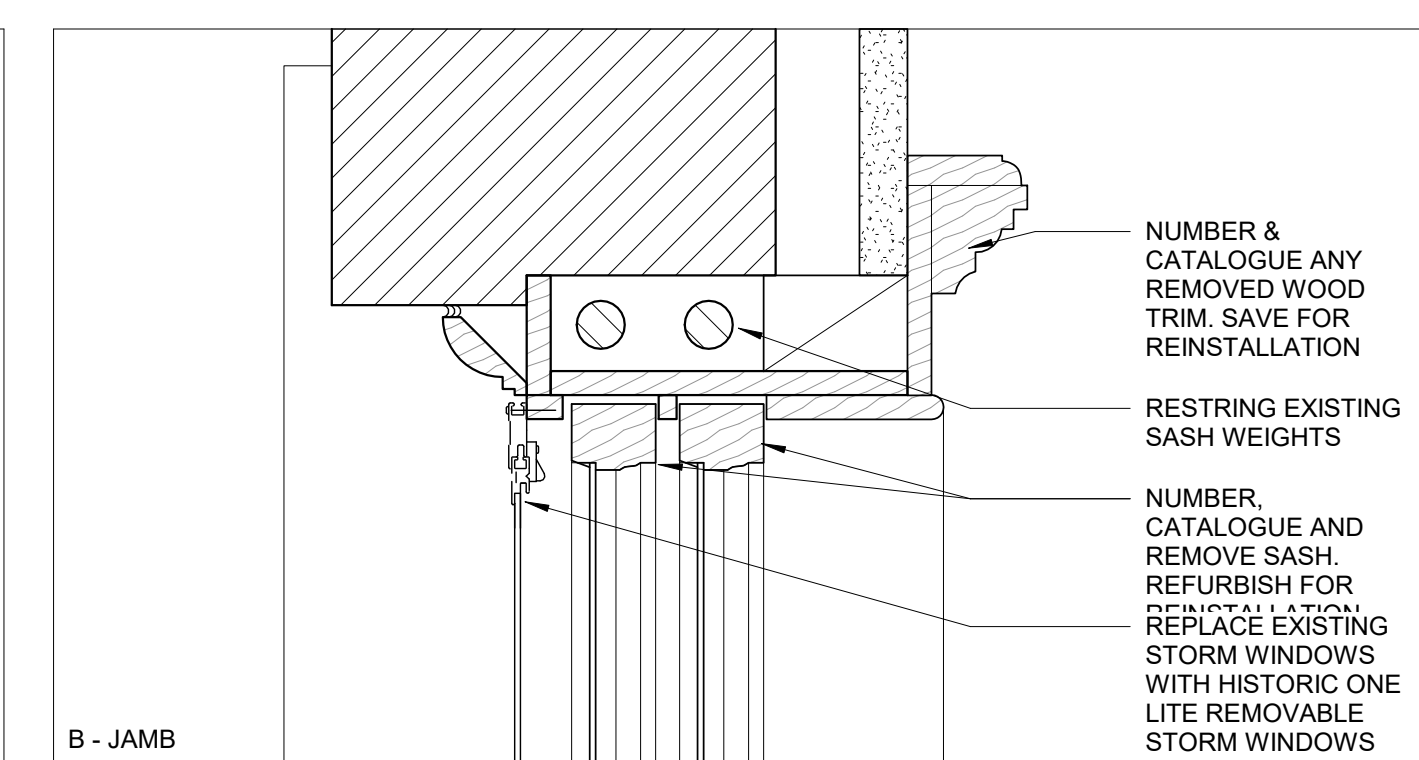
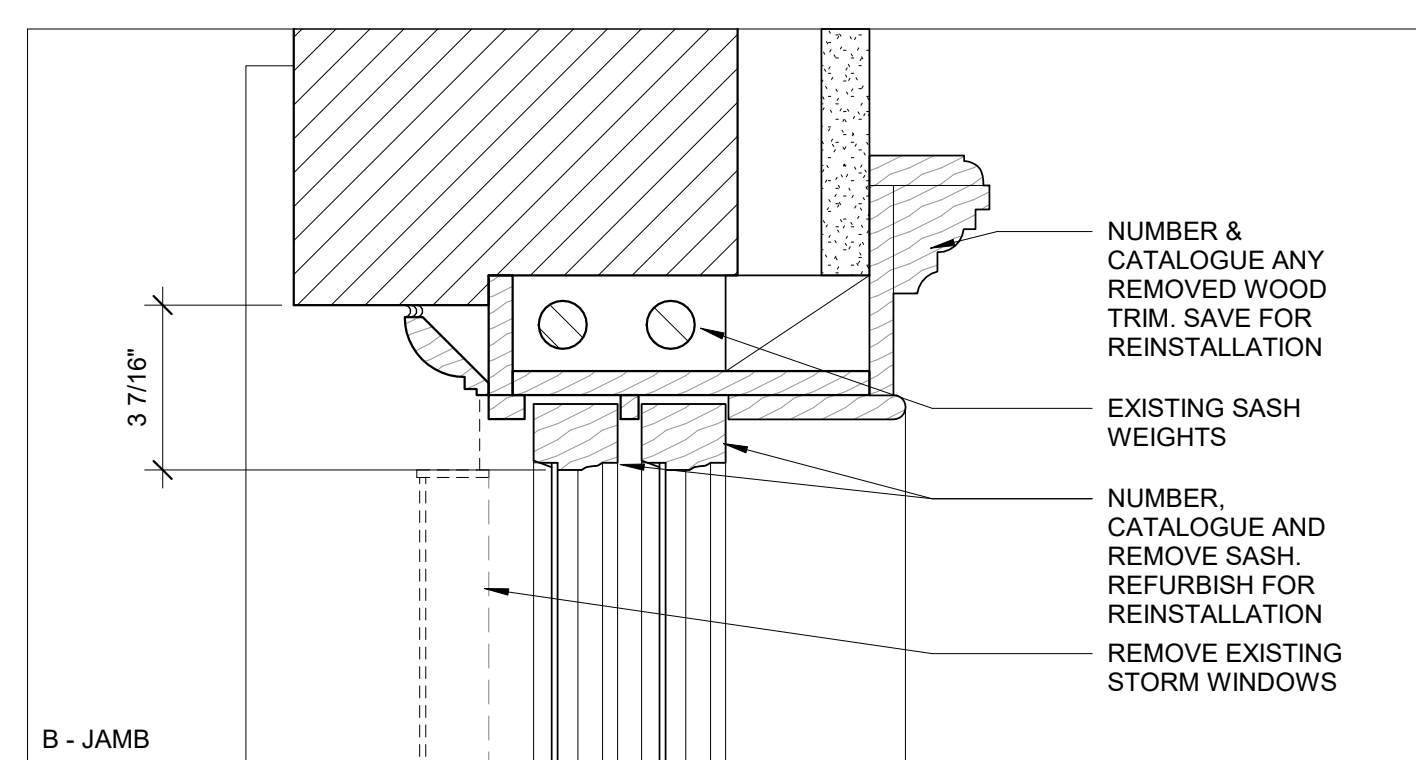
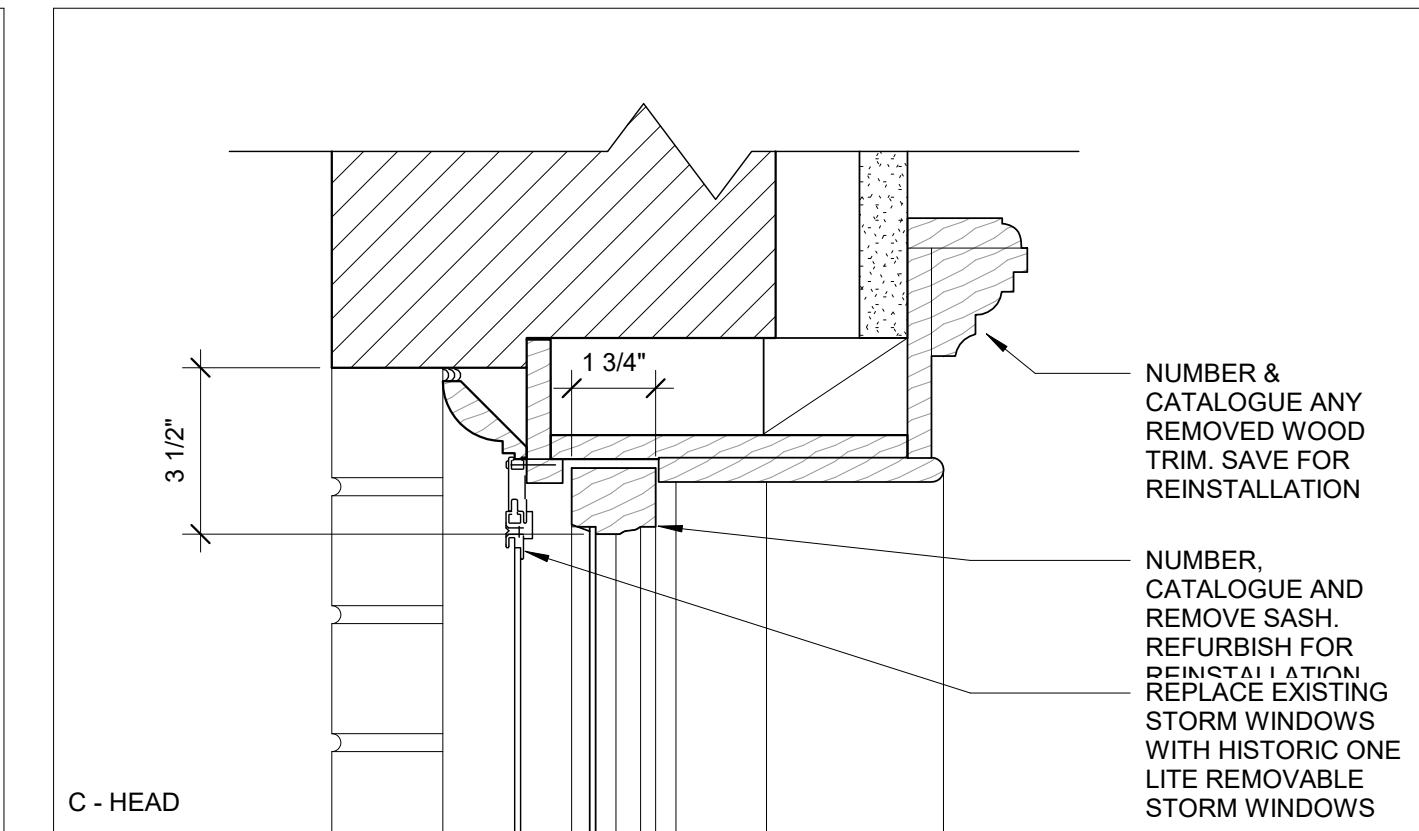
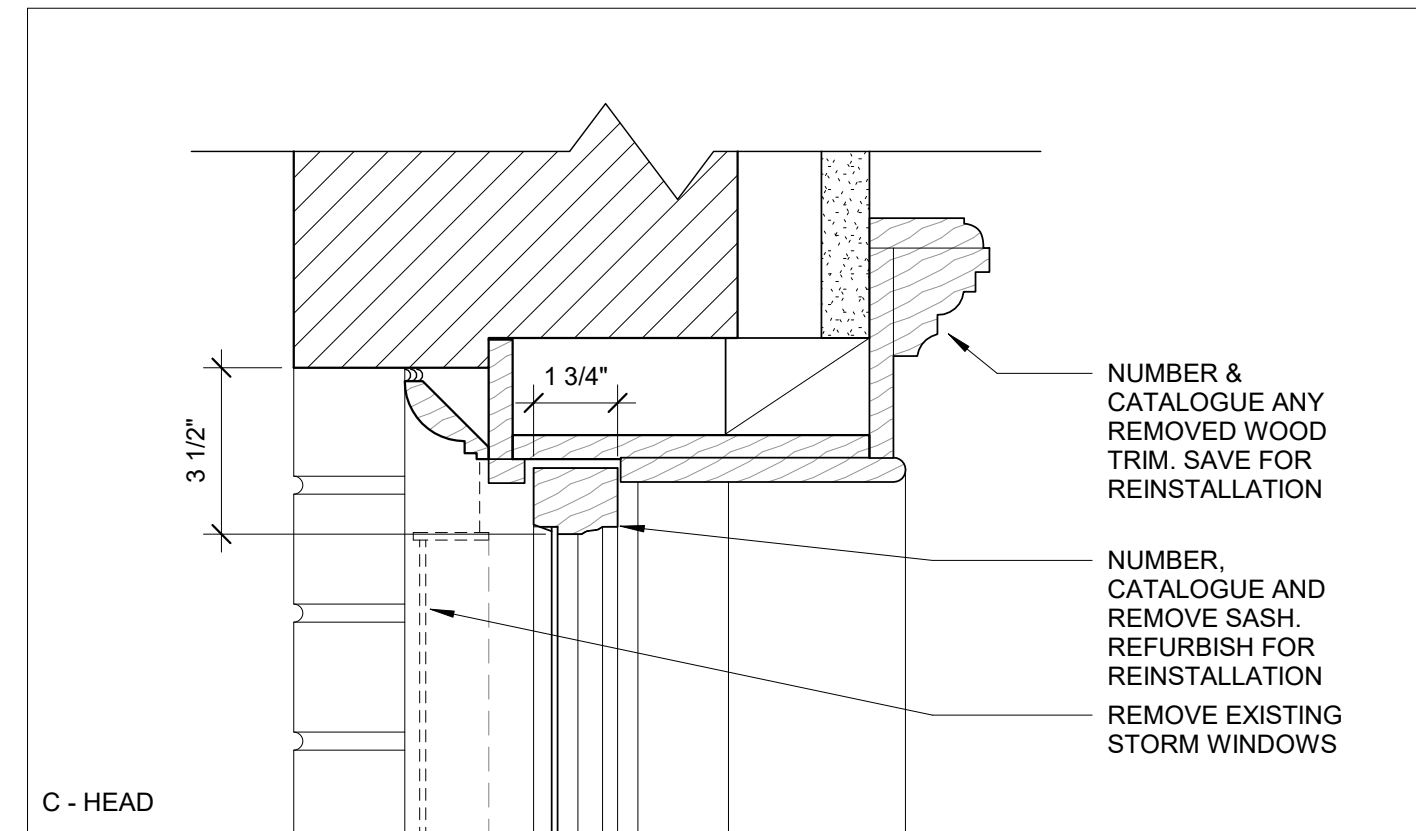
EXISTING TYPE H WOOD WINDOW

PROPOSED TYPE H WOOD WINDOW

**4 | TYPE H WINDOW DETAIL**  
3" = 1'-0"



**5 | STORM WINDOW/ TRIM DETAIL**  
6" = 1'-0"



EXISTING WOOD WINDOW

PROPOSED REFURBISHMENT OF WOOD WINDOW

**1 | EXISTING TYPE B, C, D, E, F, J, & K WINDOW DETAIL**  
3" = 1'-0"