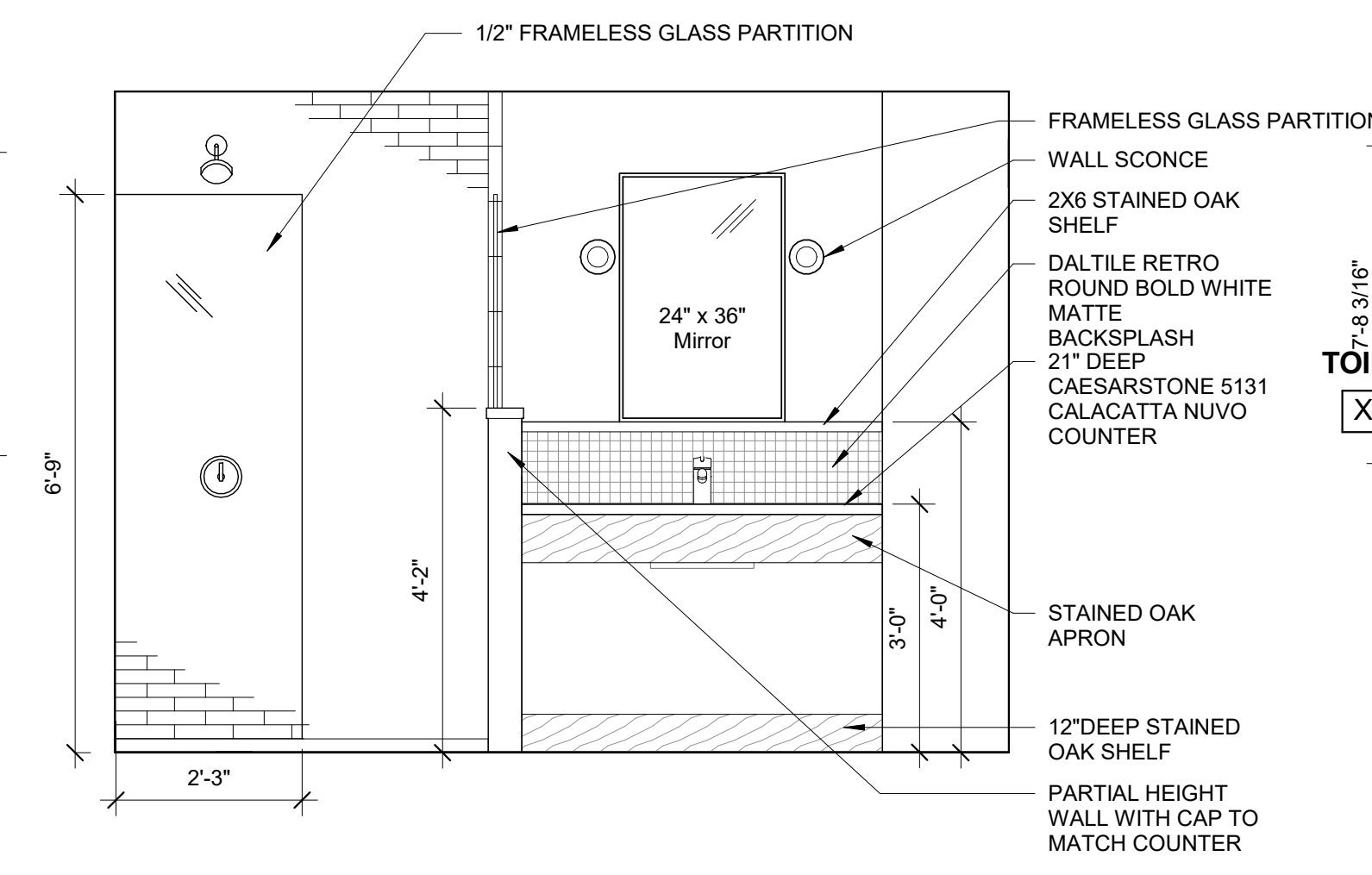
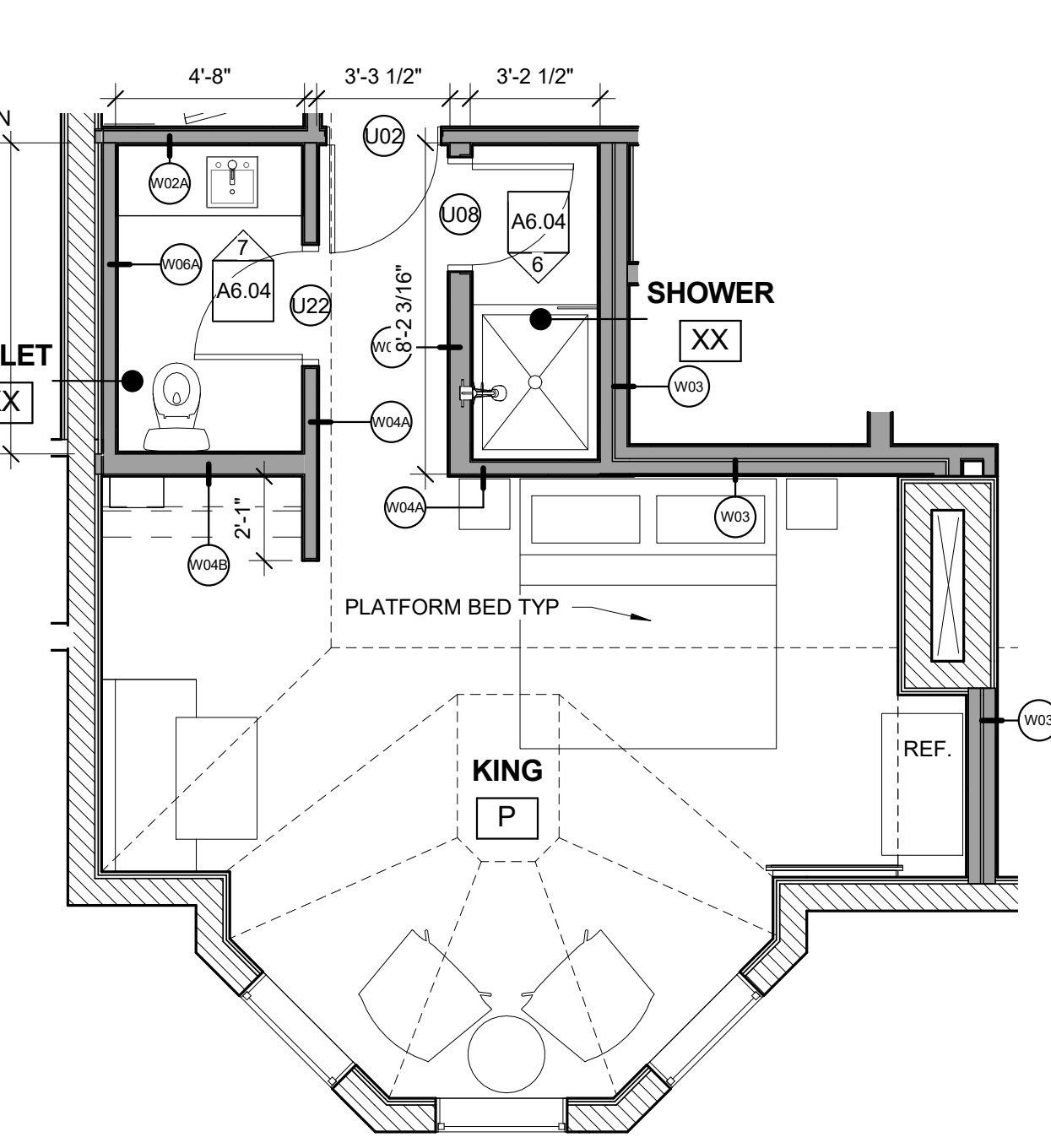


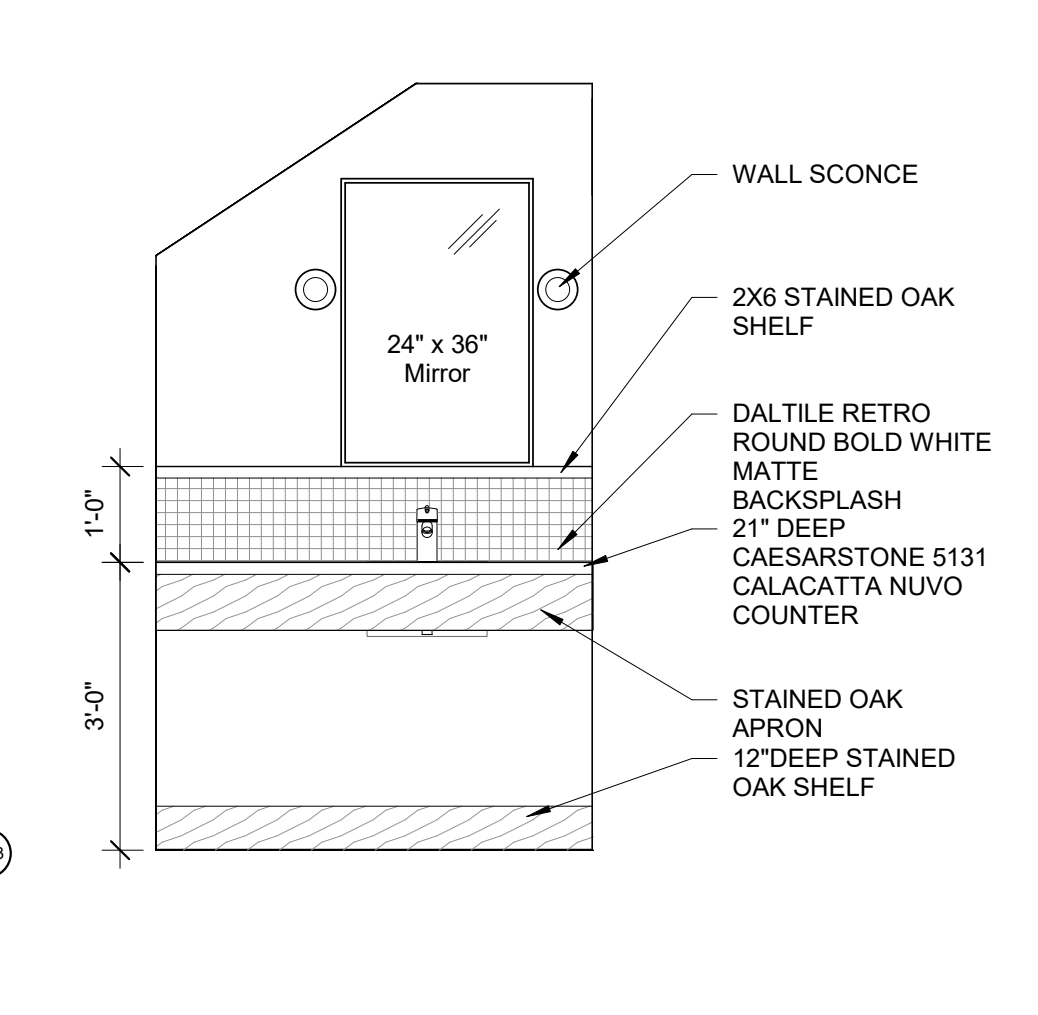
**10** | 3RD FLOOR - KING - M  
1/4" = 1'-0"



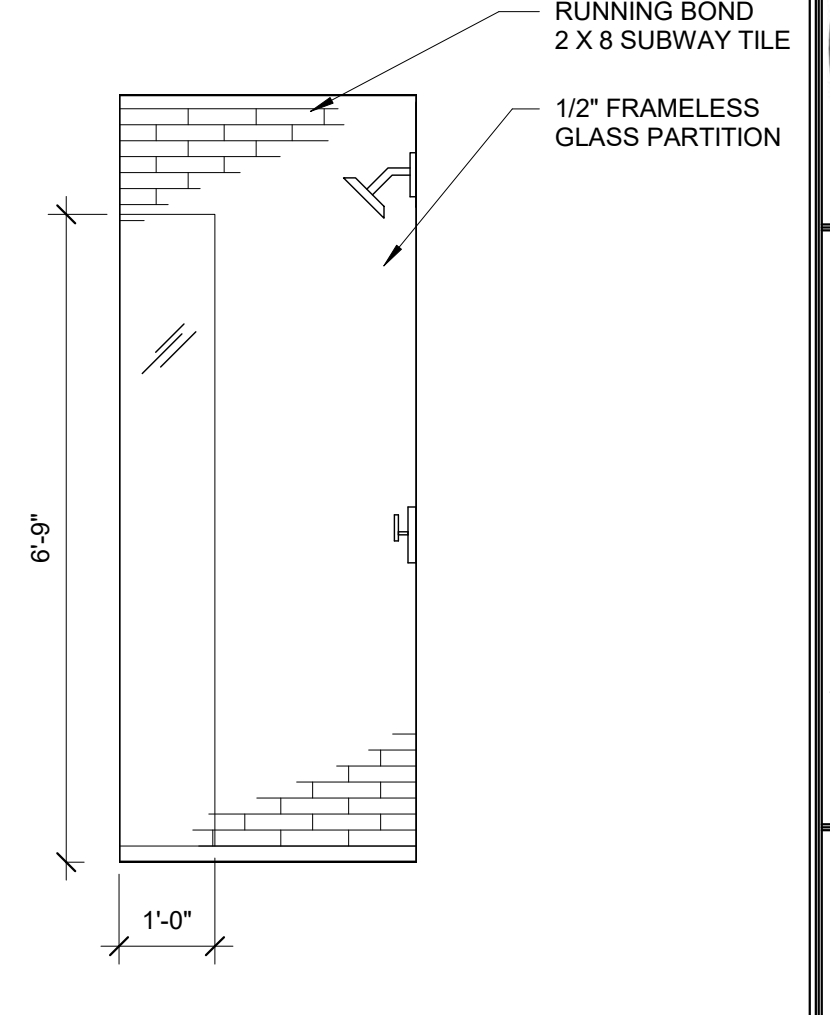
**9** | KING M VANITY/ SHOWER  
1/2" = 1'-0"



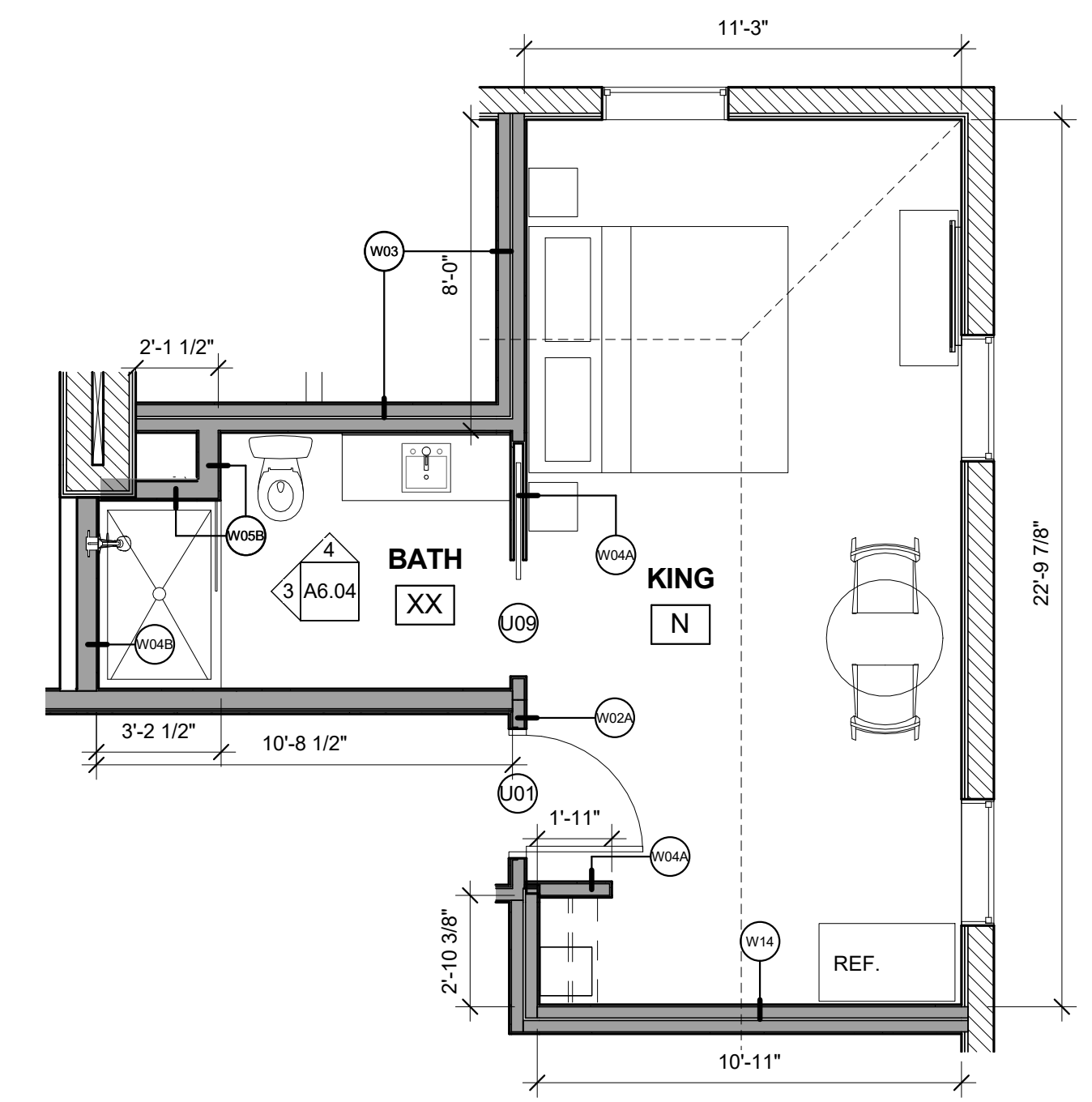
**8** | 3RD FLOOR - KING - P  
1/4" = 1'-0"



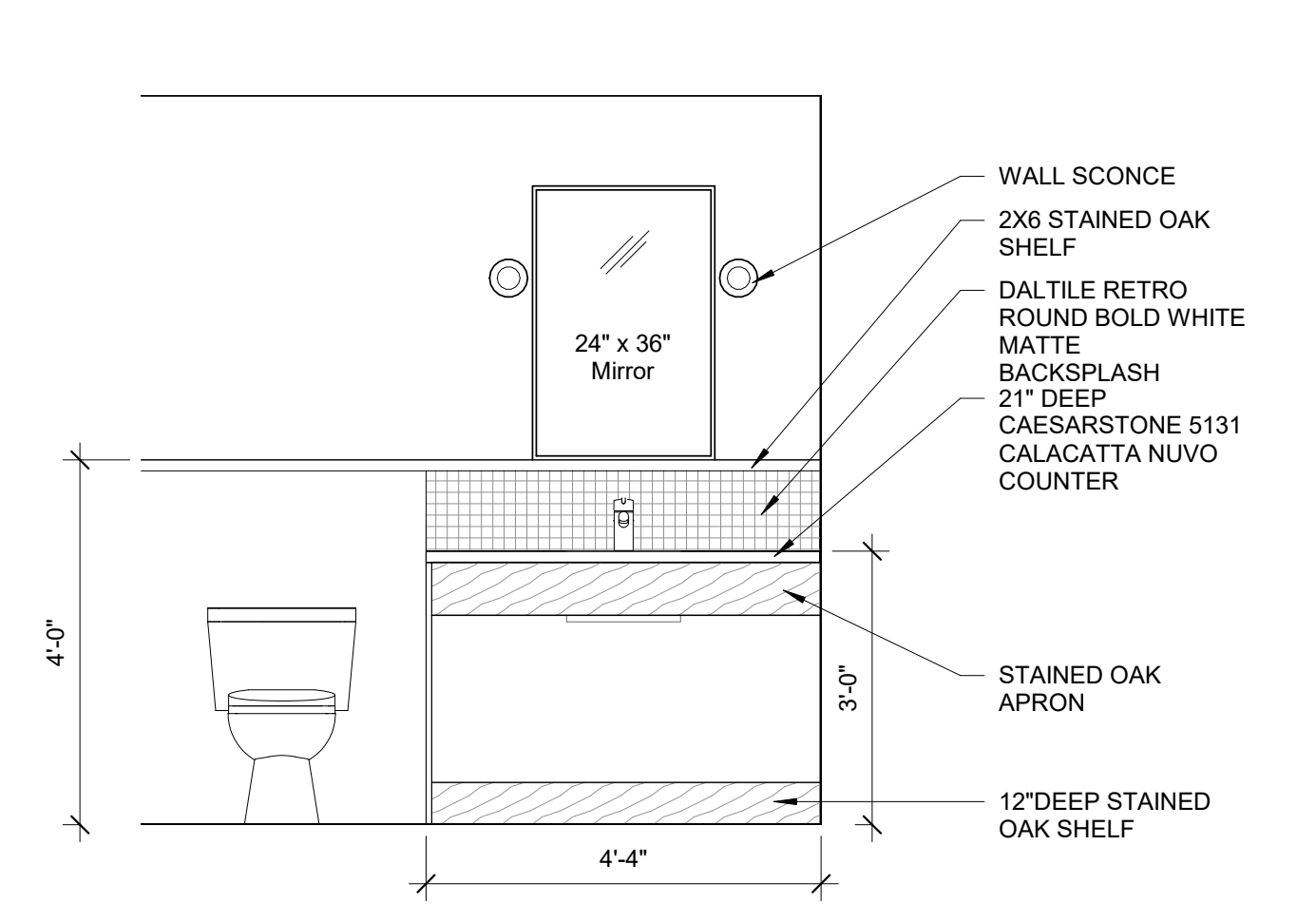
**7** | KING P VANITY ELEVATION  
1/2" = 1'-0"



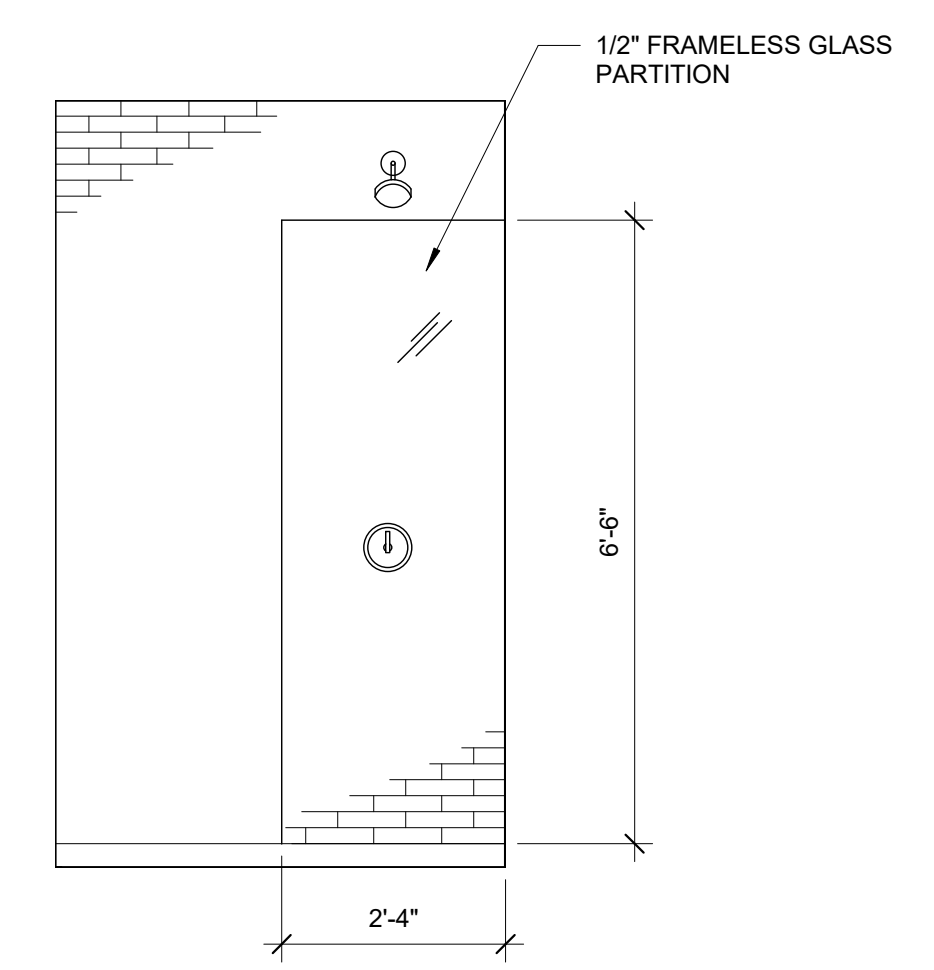
**6** | KING P SHOWER  
1/2" = 1'-0"



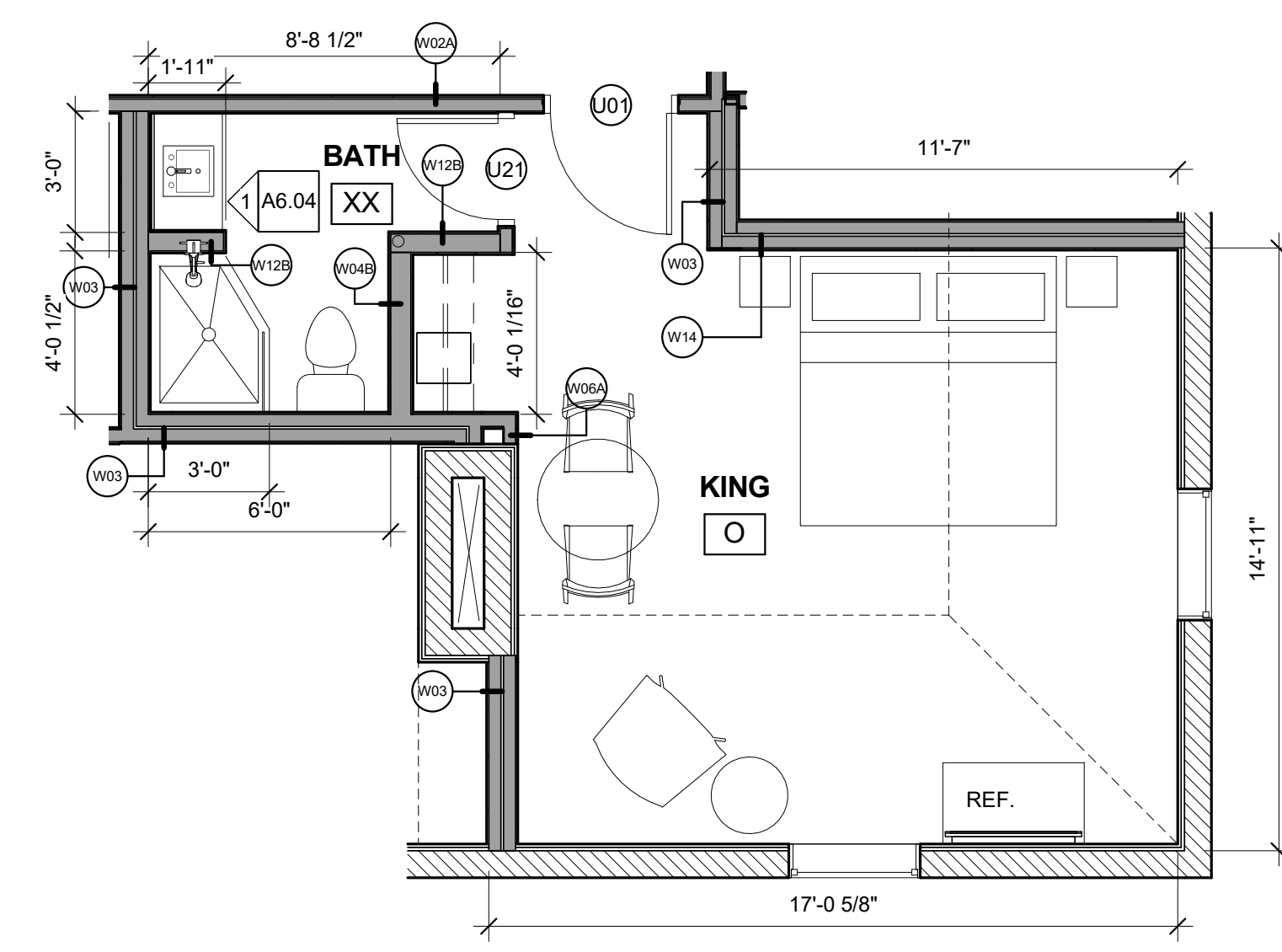
**5** | 3RD FLOOR - KING - N  
1/4" = 1'-0"



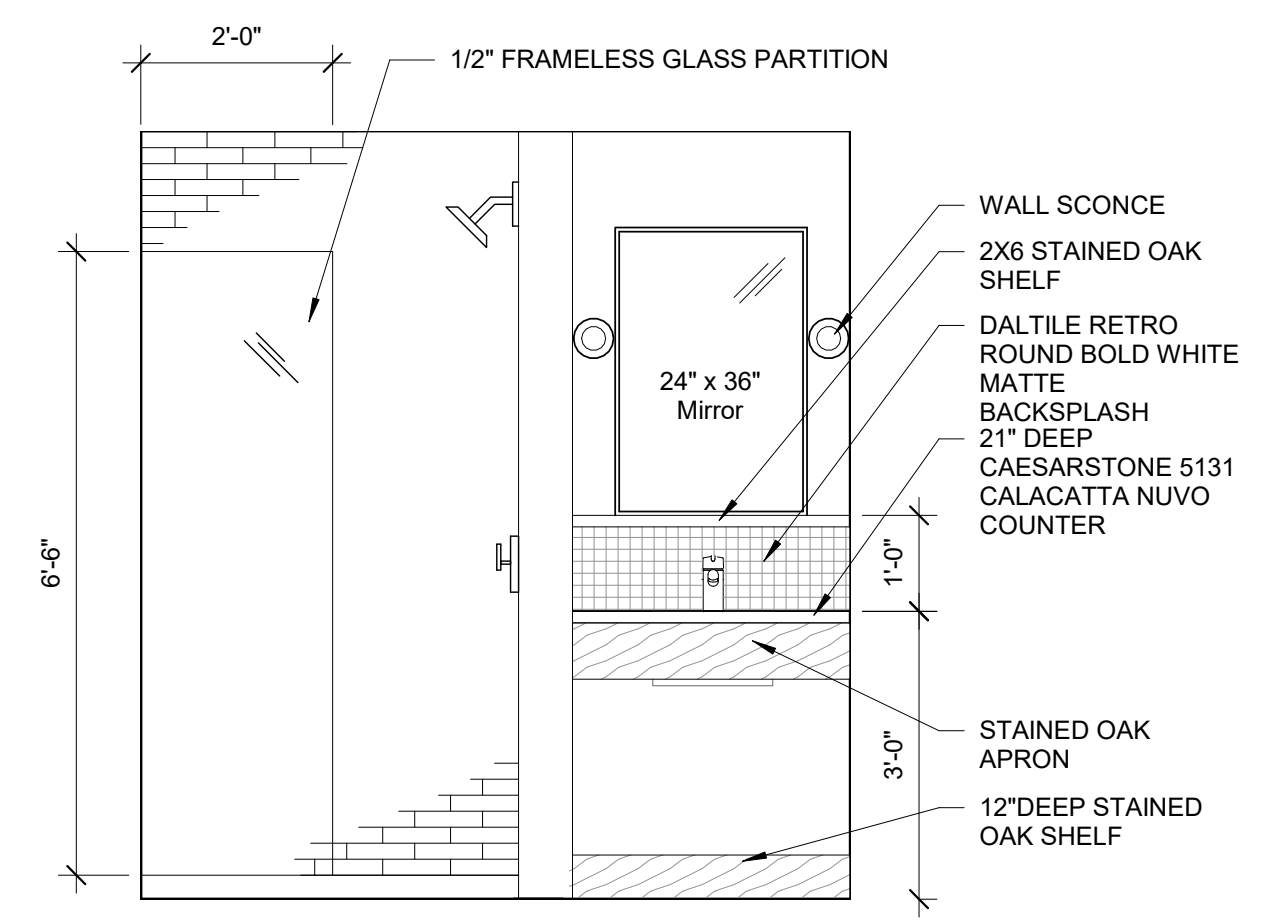
**4** | KING N VANITY  
1/2" = 1'-0"



**3** | KING N SNOWER  
1/2" = 1'-0"



**2** | 3RD FLOOR - KING - O  
1/4" = 1'-0"



**1** | KING O VANITY/ SHOWER  
1/2" = 1'-0"



Prepared For:  
**747 CONGRESS LLC**

Consultant:  
**ARCHETYPE architects**  
48 Union Wharf Portland, Maine 04101  
(207) 772-6022 ARCHETYPE@ARCHETYPEPA.COM

Project:  
**THE FRANCIS**  
749 CONGRESS ST  
PORTLAND, ME 04102

Revisions:  
Date: **03 AUG 2016**  
Scale: **As indicated**  
**ENLARGED ROOM PLANS**

**A6.04**