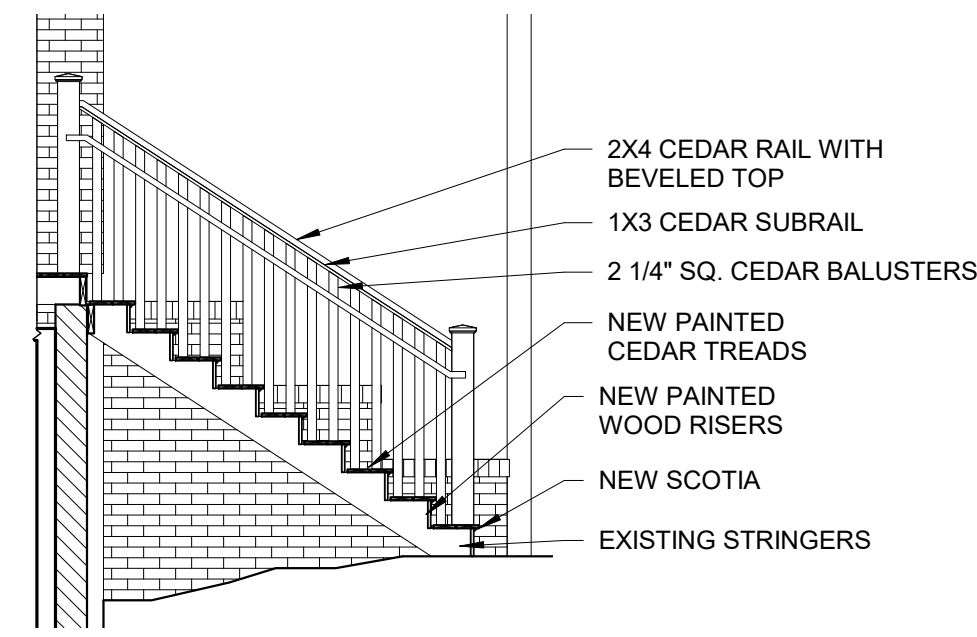
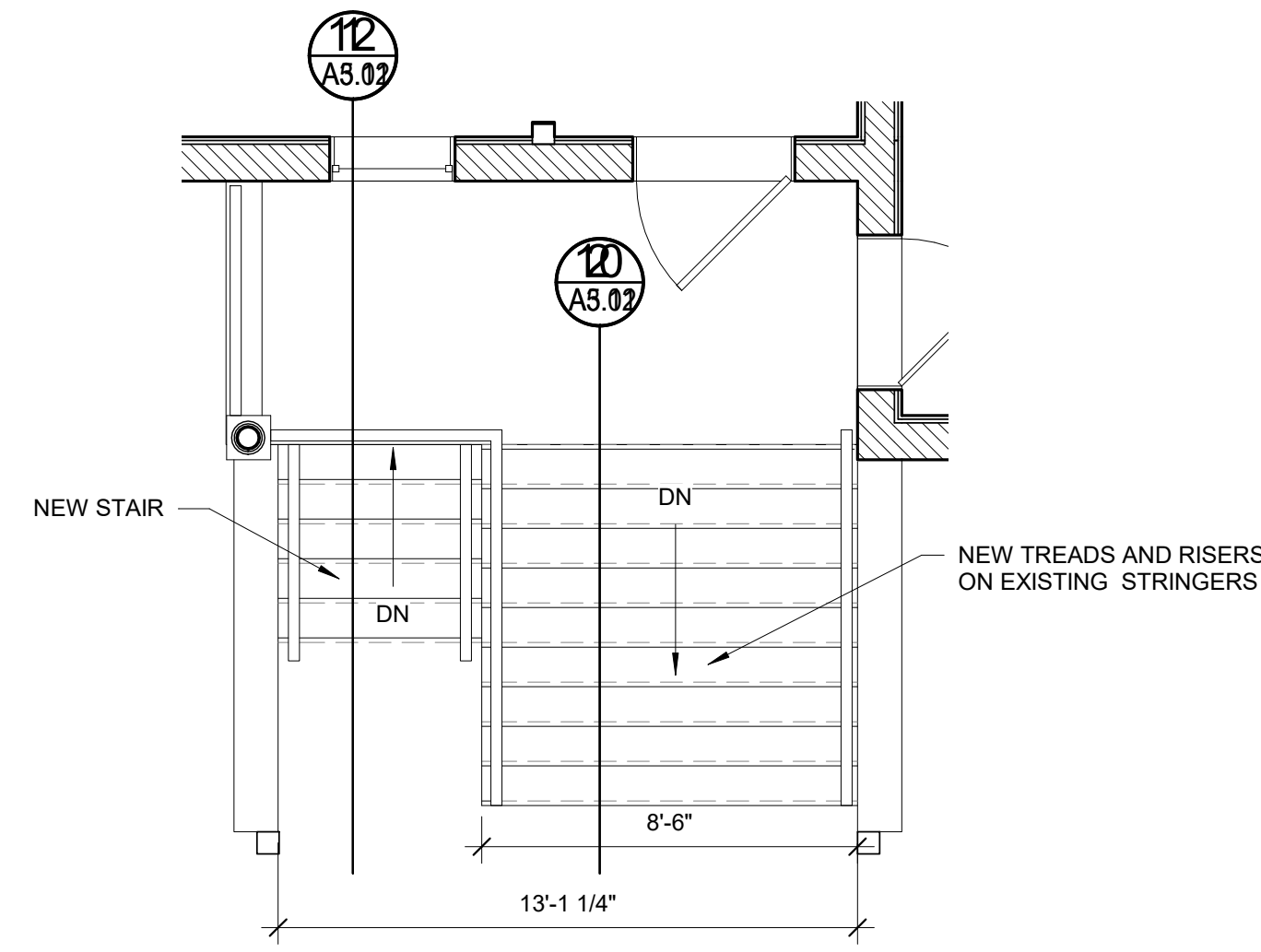


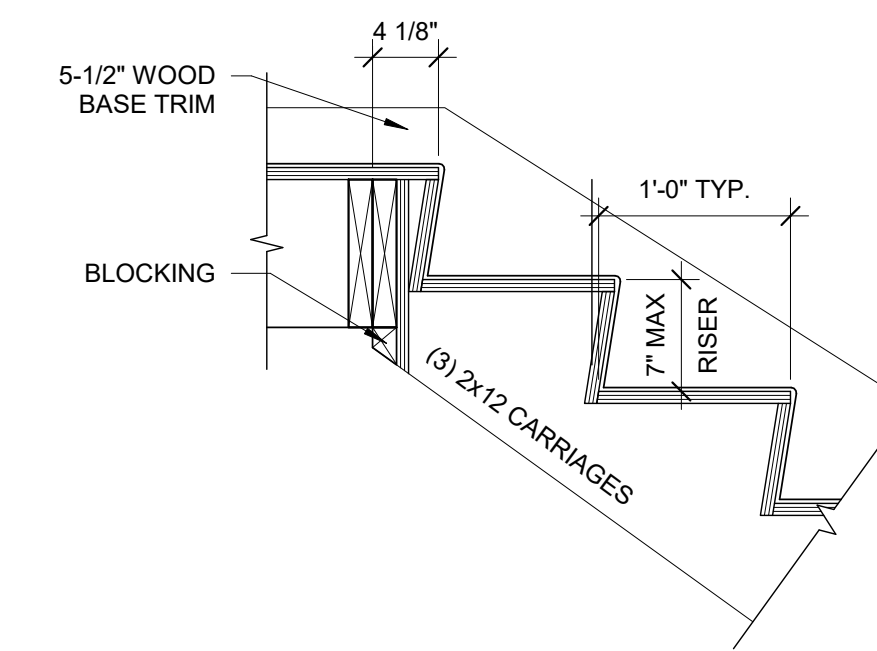
**12 | NEW STAIR AND PORCH SECTION**  
1/4" = 1'-0"



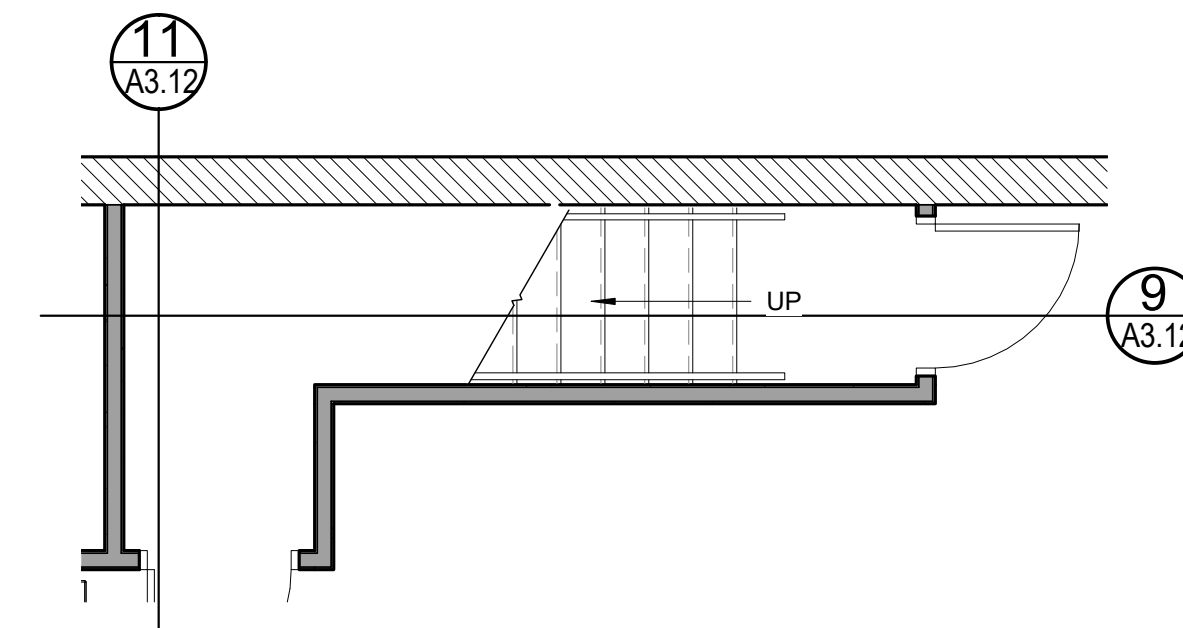
**10 | PORCH STAIR SECTION**  
1/4" = 1'-0"



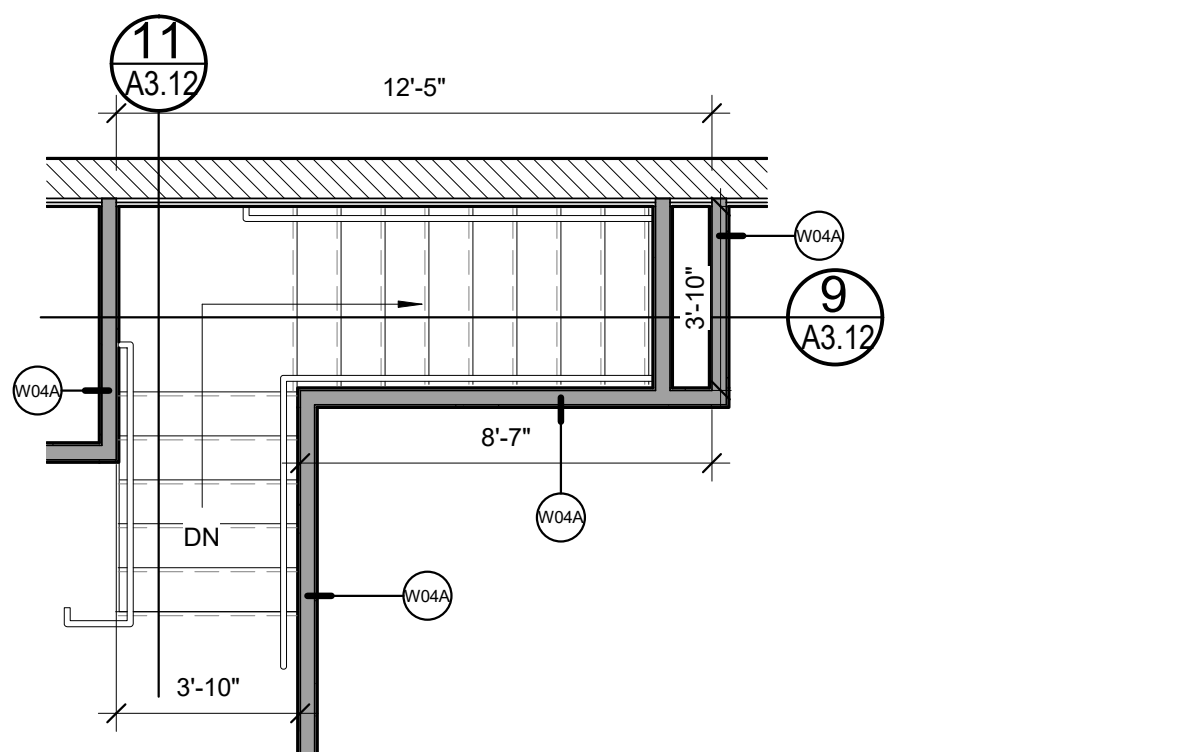
**8 | PORCH AND STAIR PLAN**  
1/4" = 1'-0"



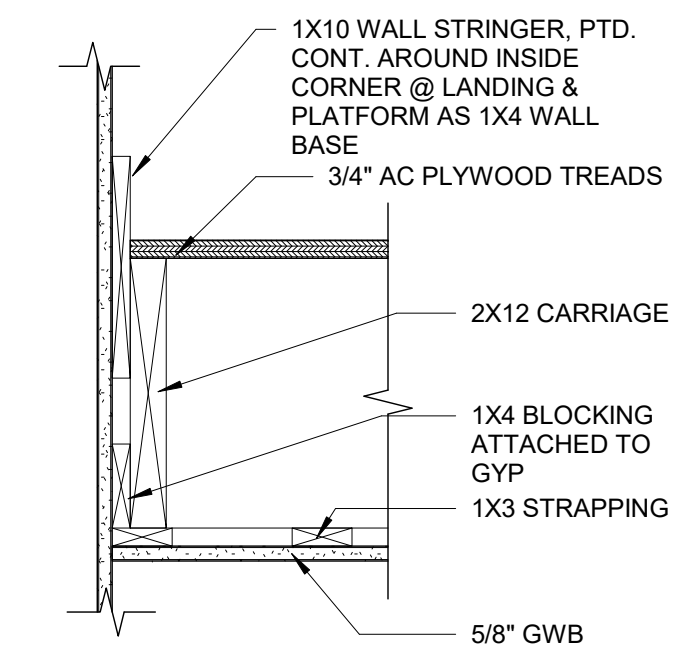
**4 | STAIR/LANDING DETAIL**  
1" = 1'-0"



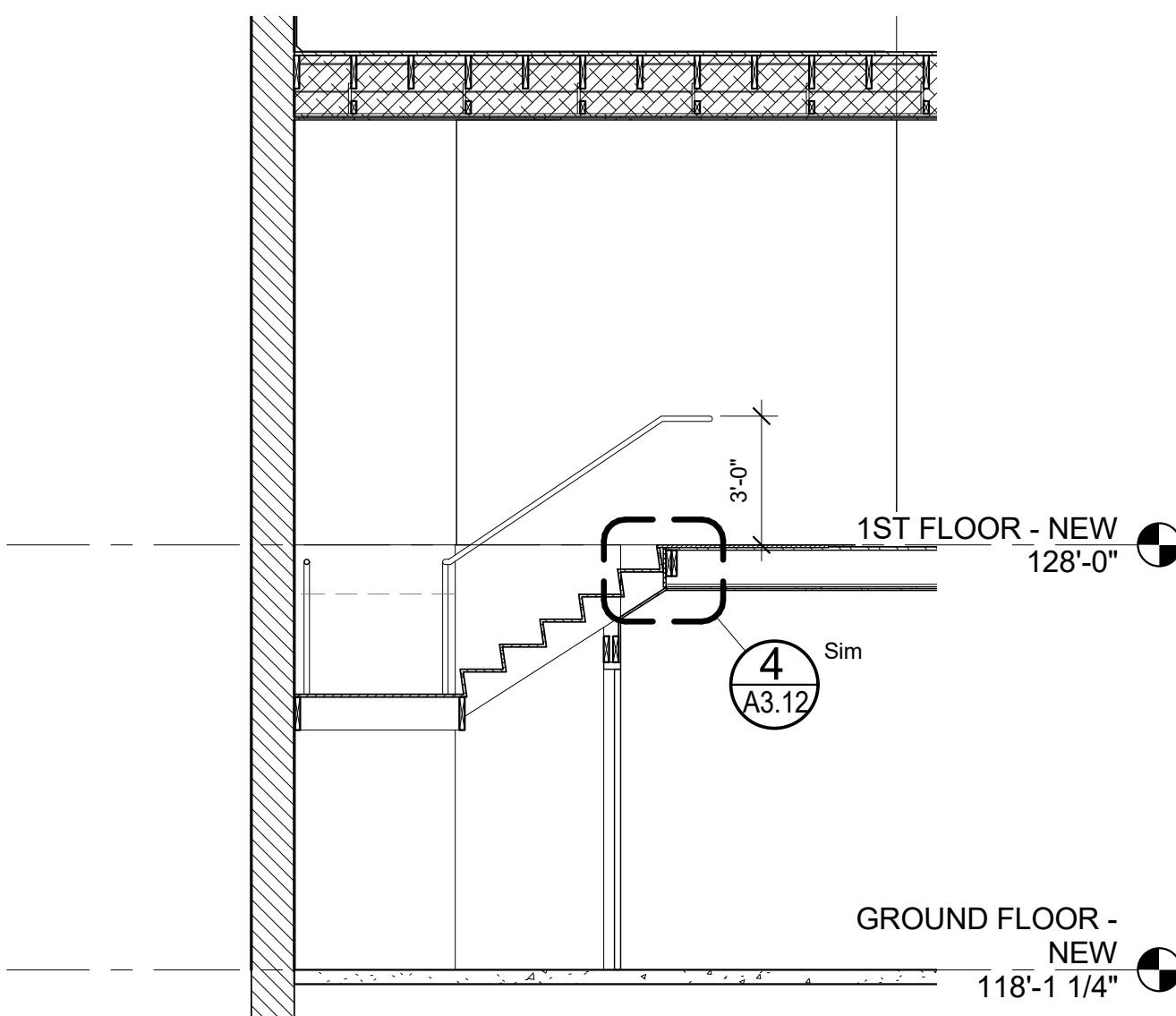
**7 | NEW STAIR E GROUND FLOOR PLAN**  
1/4" = 1'-0"



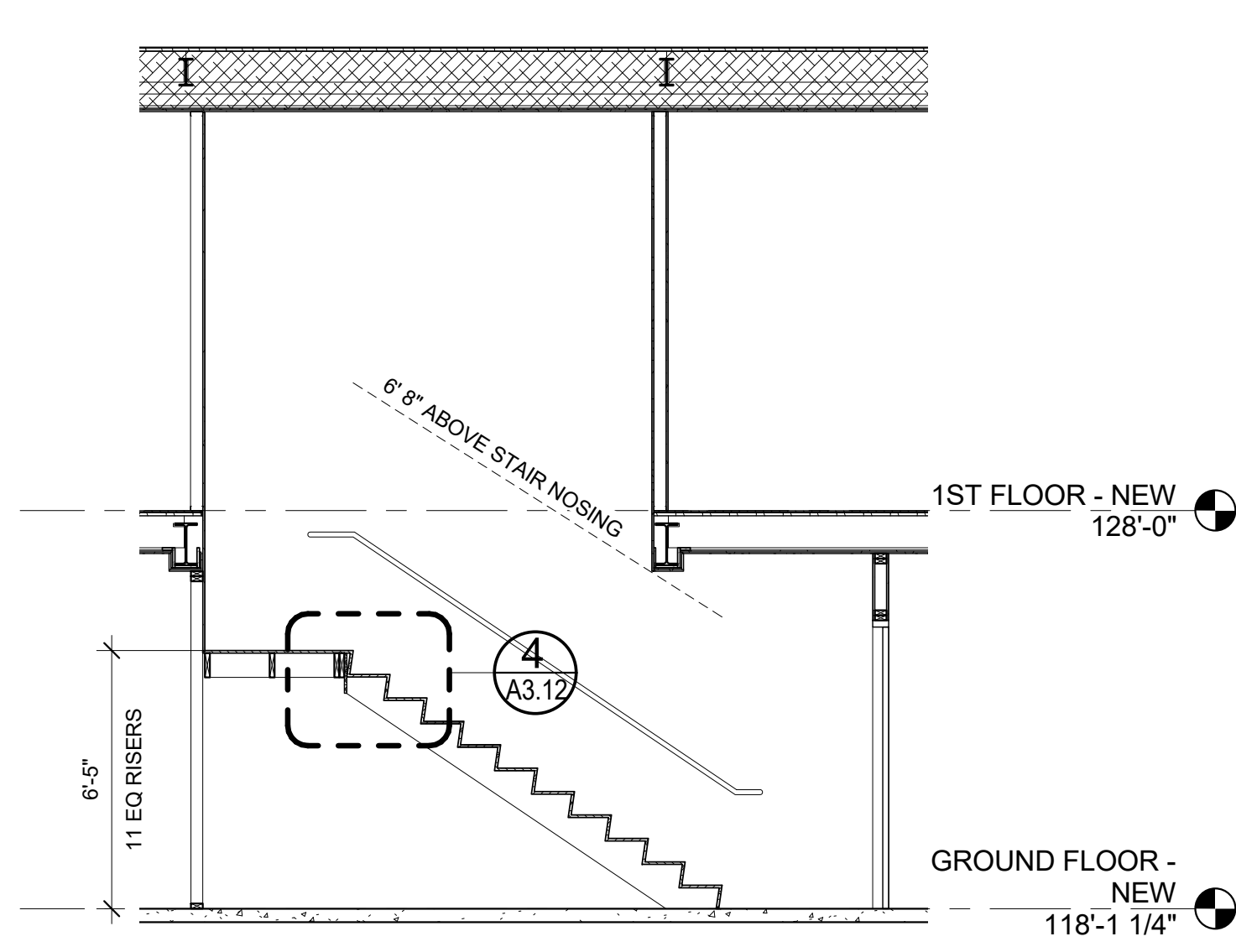
**6 | NEW STAIR E FIRST FLOOR PLAN**  
1/4" = 1'-0"



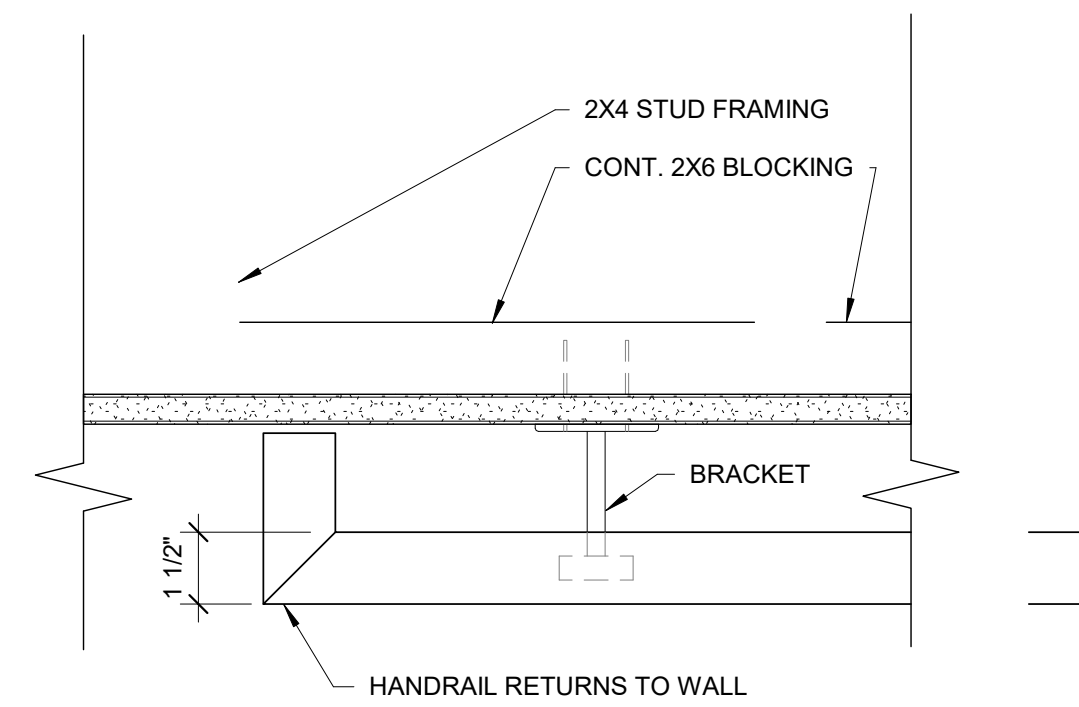
**3 | STRINGER DETAIL**  
1 1/2" = 1'-0"



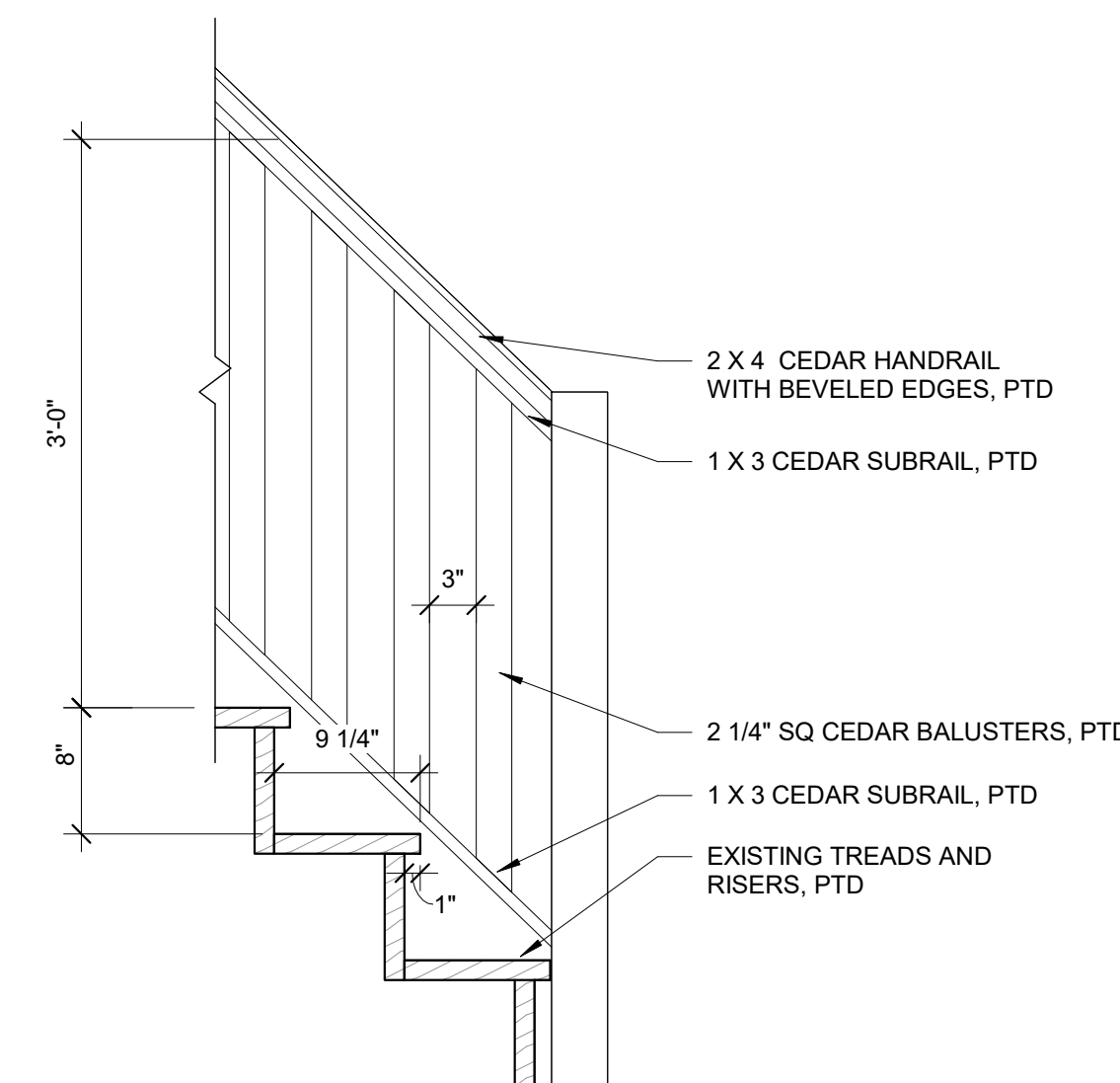
**11 | STAIR E SECTION**  
1/4" = 1'-0"



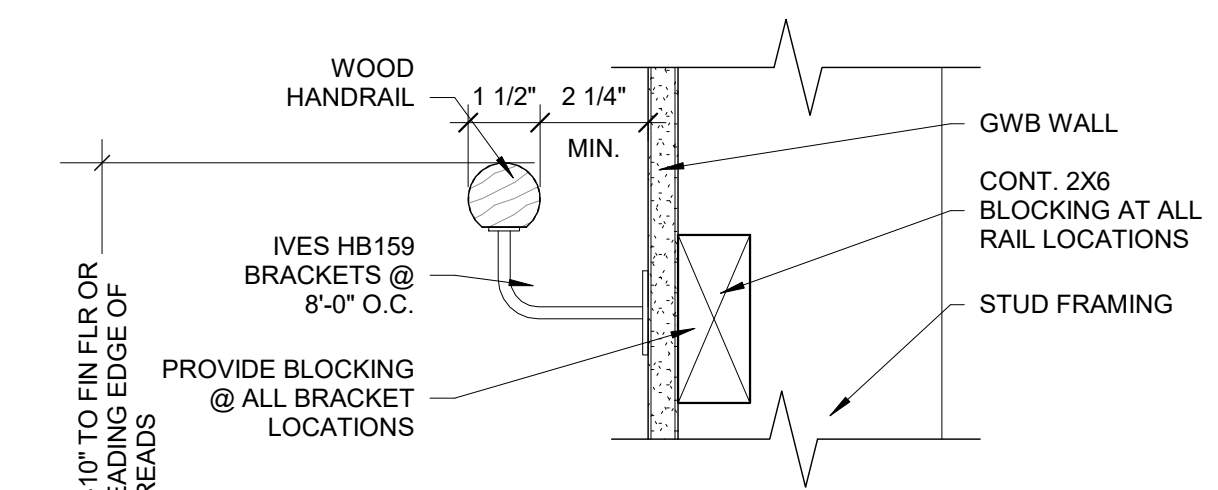
**9 | NEW STAIR E SECTION**  
1/4" = 1'-0"



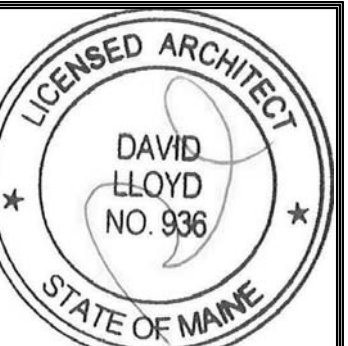
**2 | HANDRAIL - WOOD - PLAN DETAIL**  
3" = 1'-0"



**5 | NEW HANDRAIL AT STAIR A**  
1" = 1'-0"



**1 | STAIR - WOOD HANDRAIL DETAIL**  
3" = 1'-0"



Prepared For:  
**747 CONGRESS LLC**  
Address  
City, State

Consultant:  
**ARCHETYPE architects**  
48 Union Wharf Portland, Maine 04101  
(207) 772-6022 ARCHETYPE@ARCHETYPEPA.COM

Project:  
**THE FRANCIS**  
749 CONGRESS ST  
PORTLAND, ME 04102

Revisions:

Date: 03 AUG 2016  
Scale: As indicated  
**STAIR SECTIONS AND DETAILS**

**A3.12**