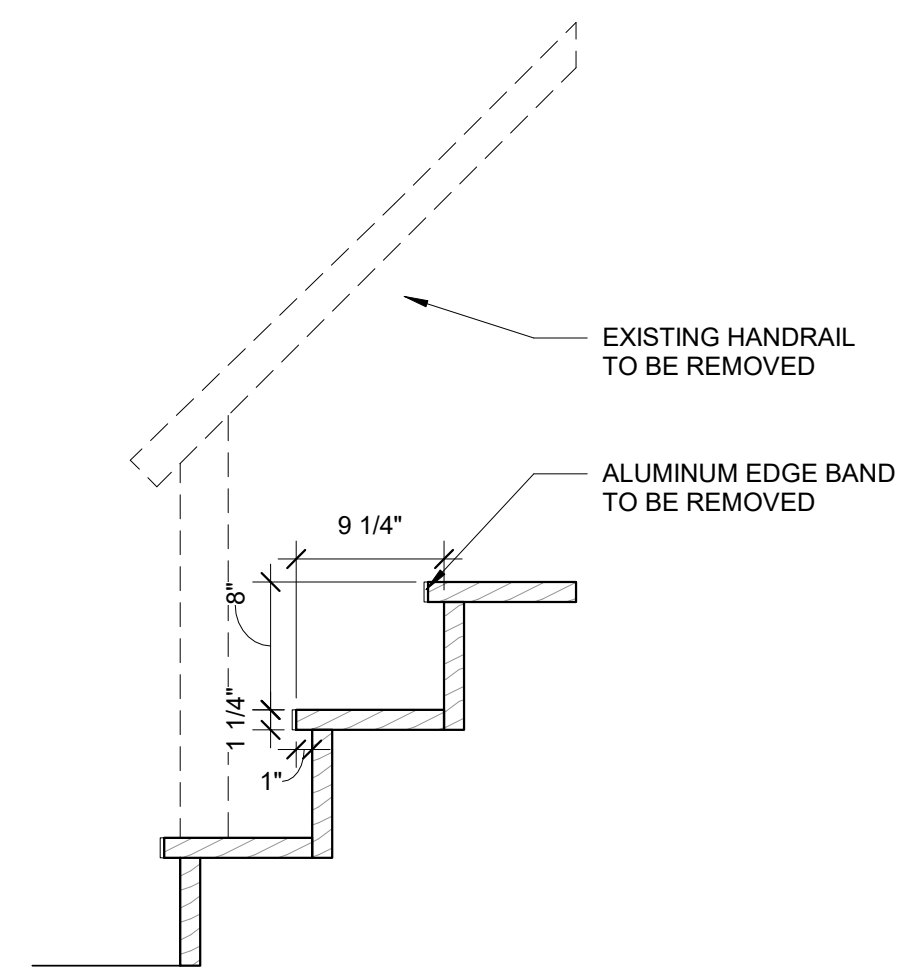
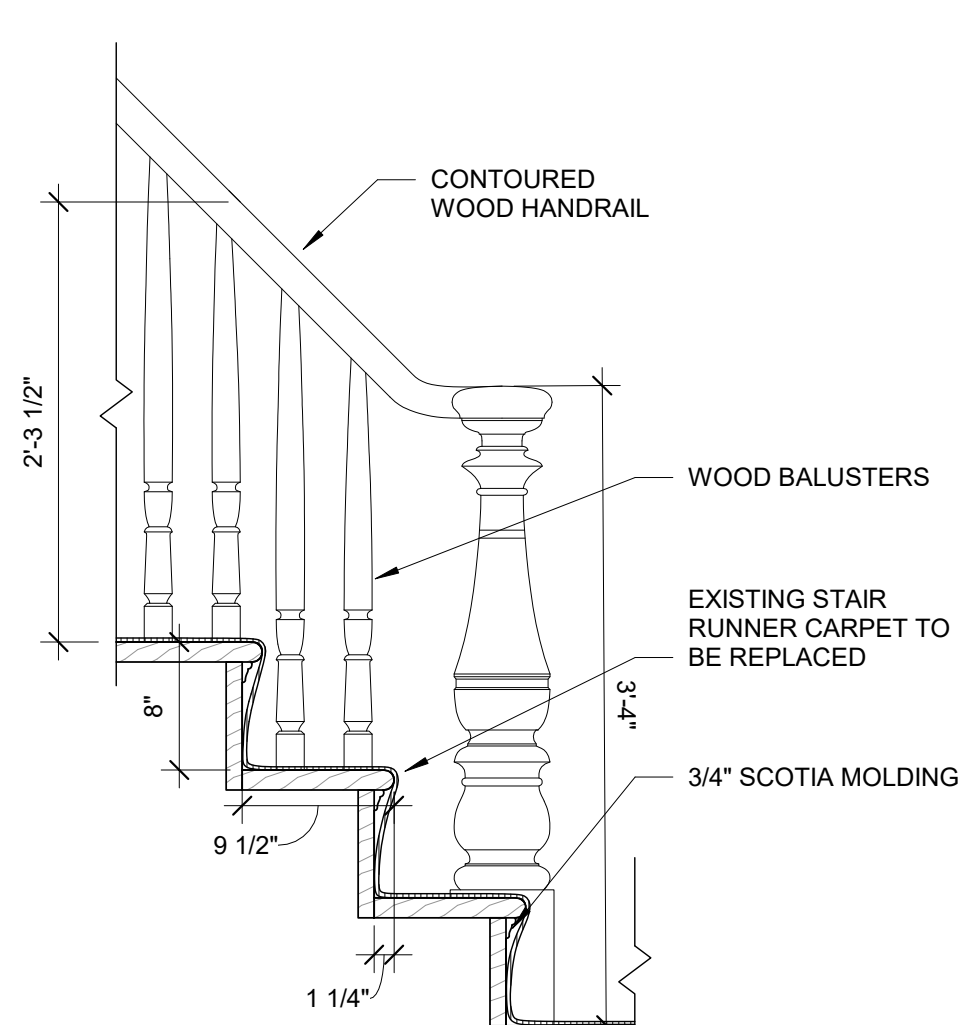


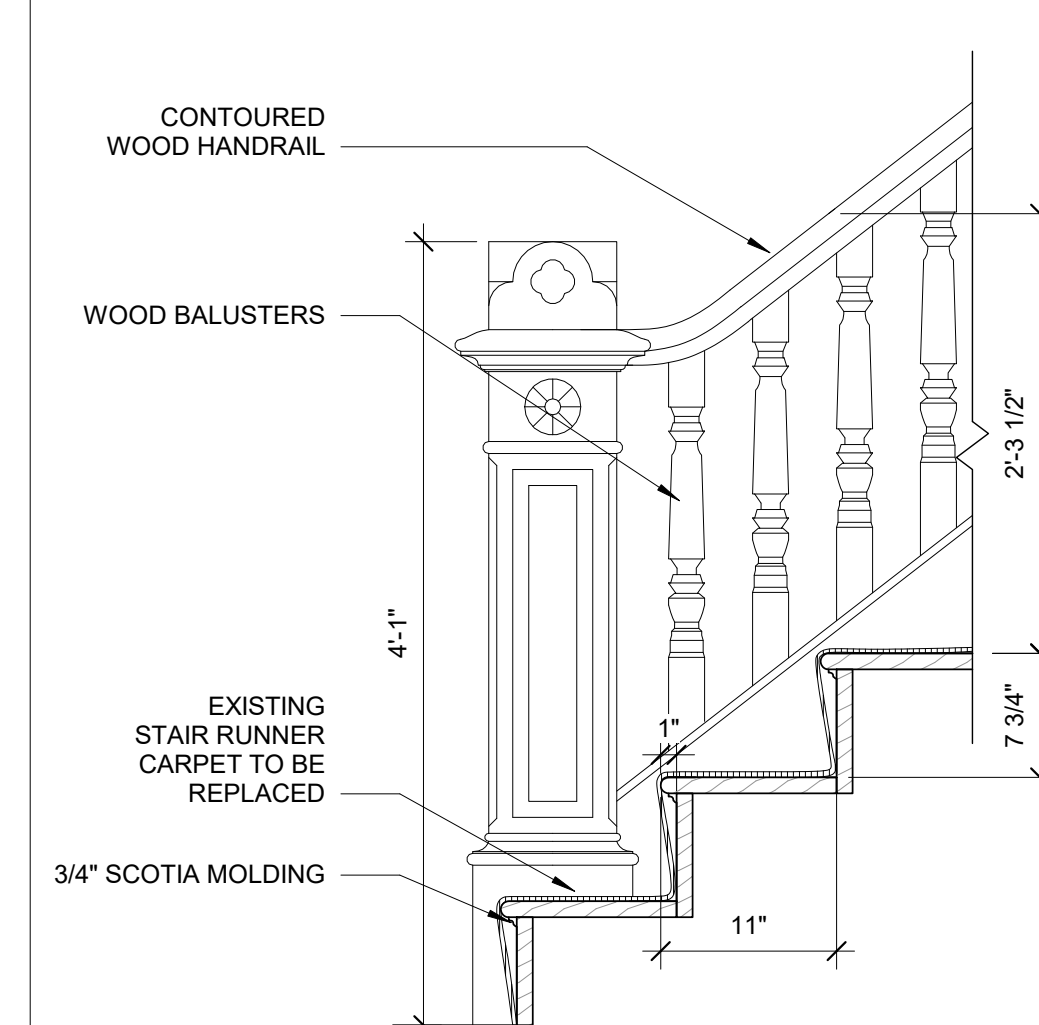
13 BASEBOARD DETAILS
3" = 1'-0"



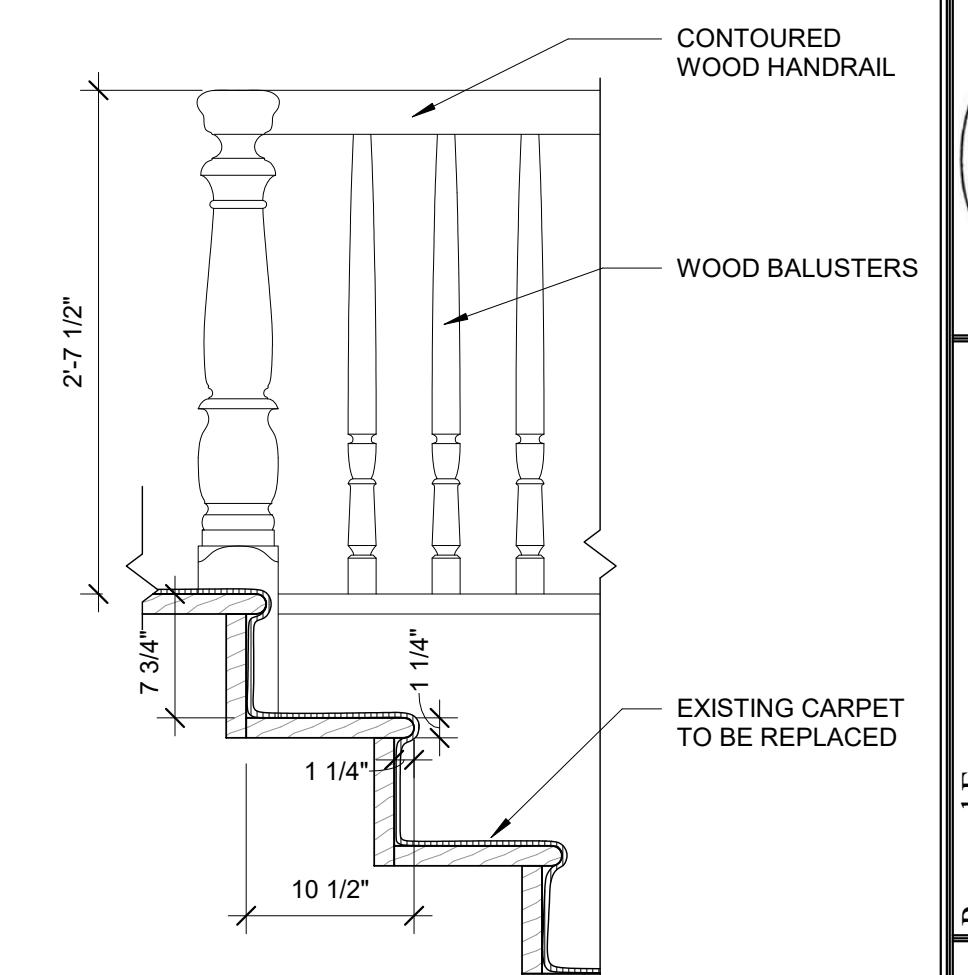
9 EXISTING STAIR A
1" = 1'-0"



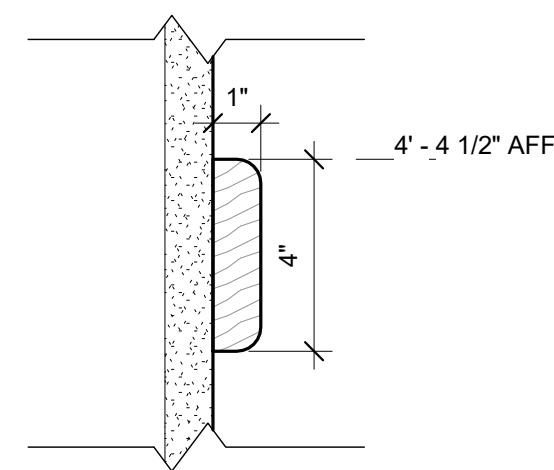
7 EXISTING STAIR B
1" = 1'-0"



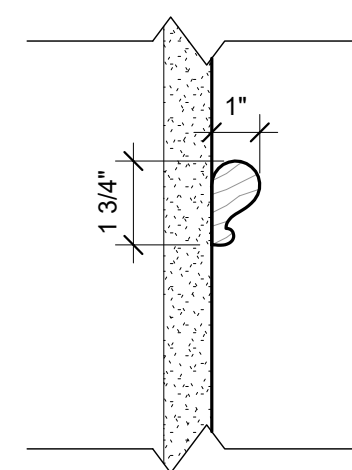
5 EXISTING STAIR C
1" = 1'-0"



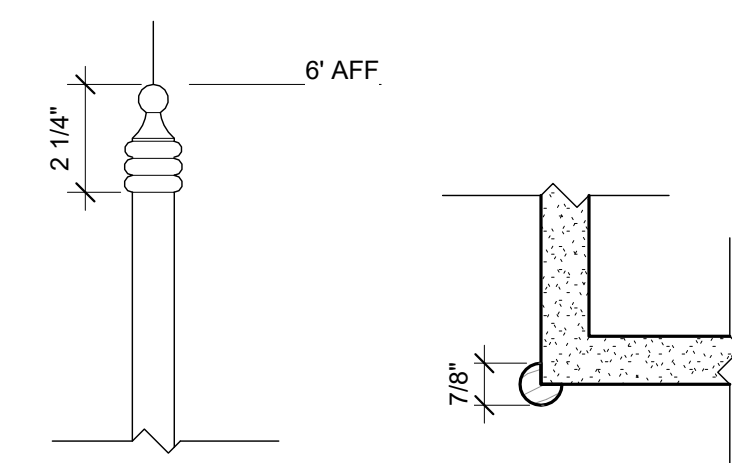
3 EXISTING STAIR D
1" = 1'-0"



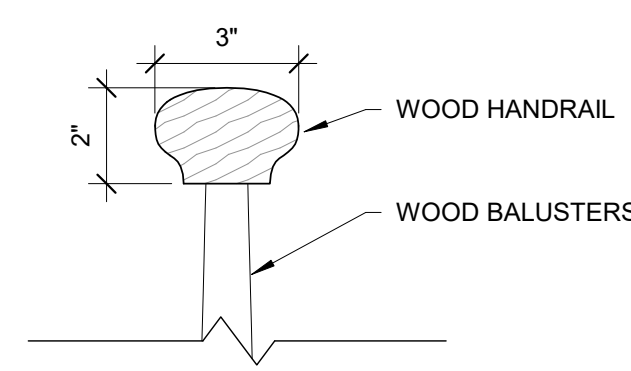
12 CHAIR RAIL
3" = 1'-0"



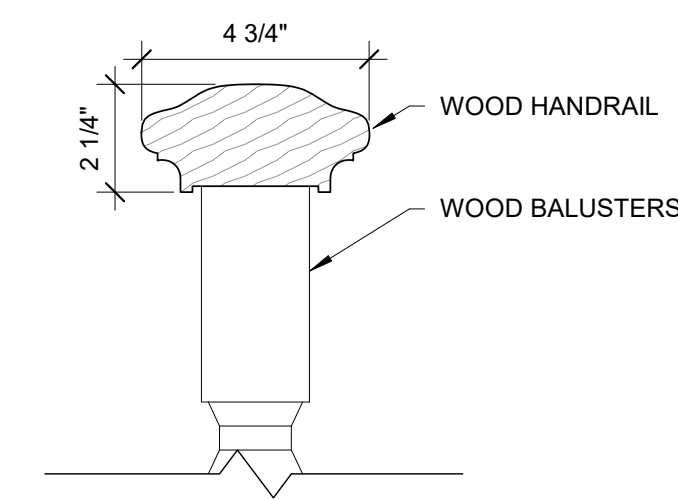
11 PICTURE RAIL
3" = 1'-0"



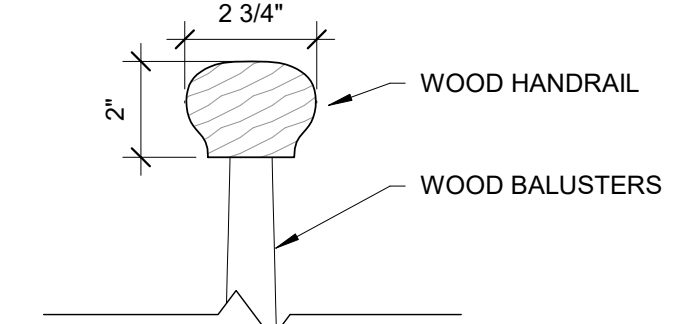
8 CORNER GUARDS
3" = 1'-0"



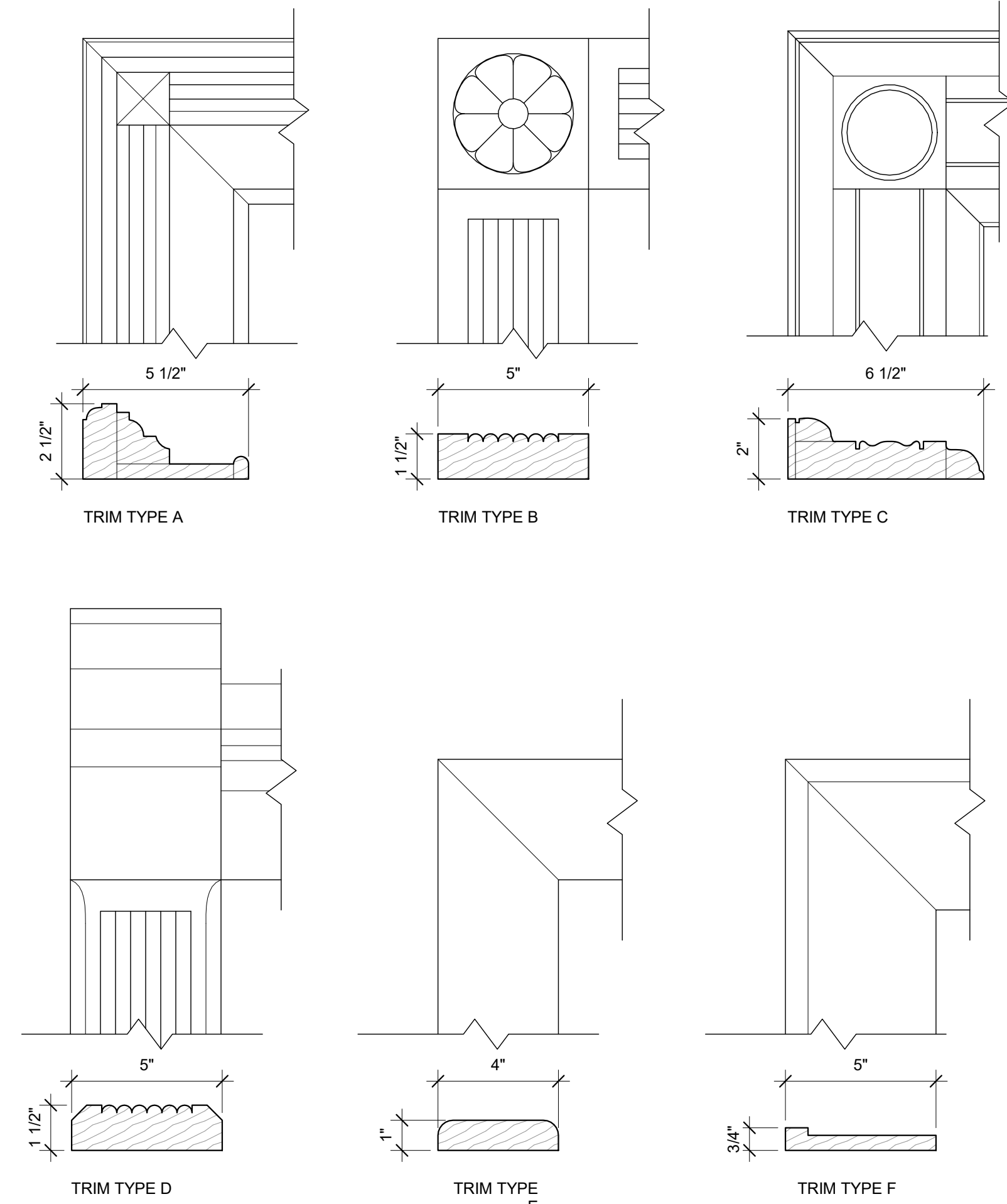
6 STAIR B HANDRAIL DETAIL
3" = 1'-0"



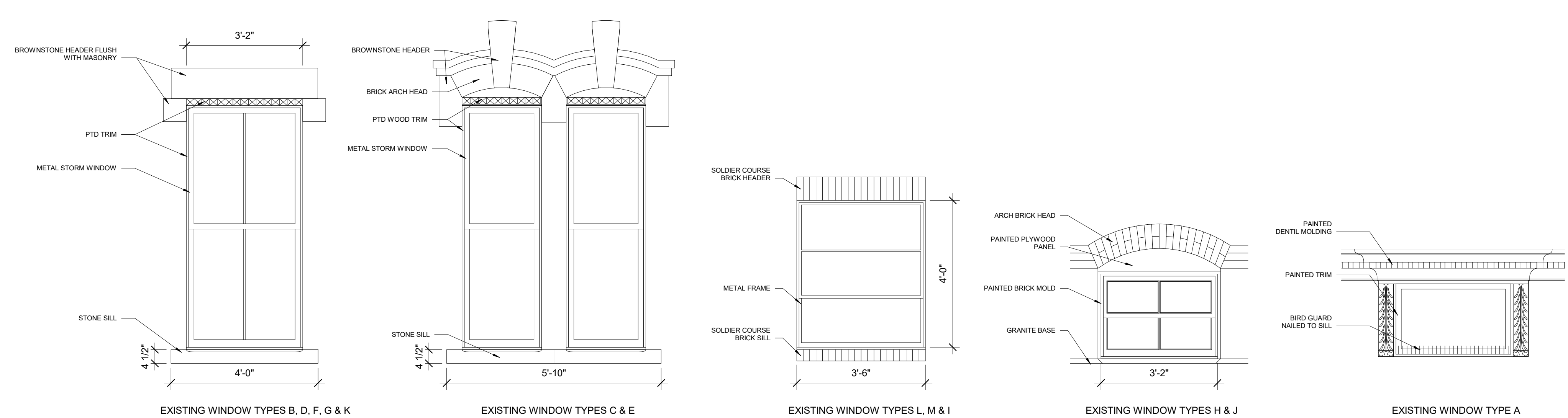
4 STAIR C HANDRAIL DETAIL
3" = 1'-0"



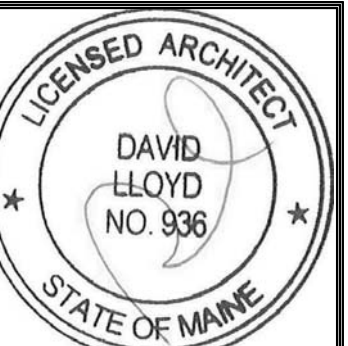
2 STAIR D HANDRAIL DETAIL
3" = 1'-0"



10 HISTORIC CASING DETAILS
3" = 1'-0"



1 TYPICAL WINDOW ELEVATIONS
1/2" = 1'-0"



Prepared For:
747 CONGRESS LLC

Consultant:
ARCHETYPE architects
48 Union Wharf Portland, Maine 04101
(207) 772-6022 ARCHETYPE@ARCHETYPEPA.COM

Project:
THE FRANCIS
749 CONGRESS ST
PORTLAND, ME 04102

Date: **03 AUG 2016**
Scale: **As indicated**
Revisions:
EXISTING DETAILS

A0.07