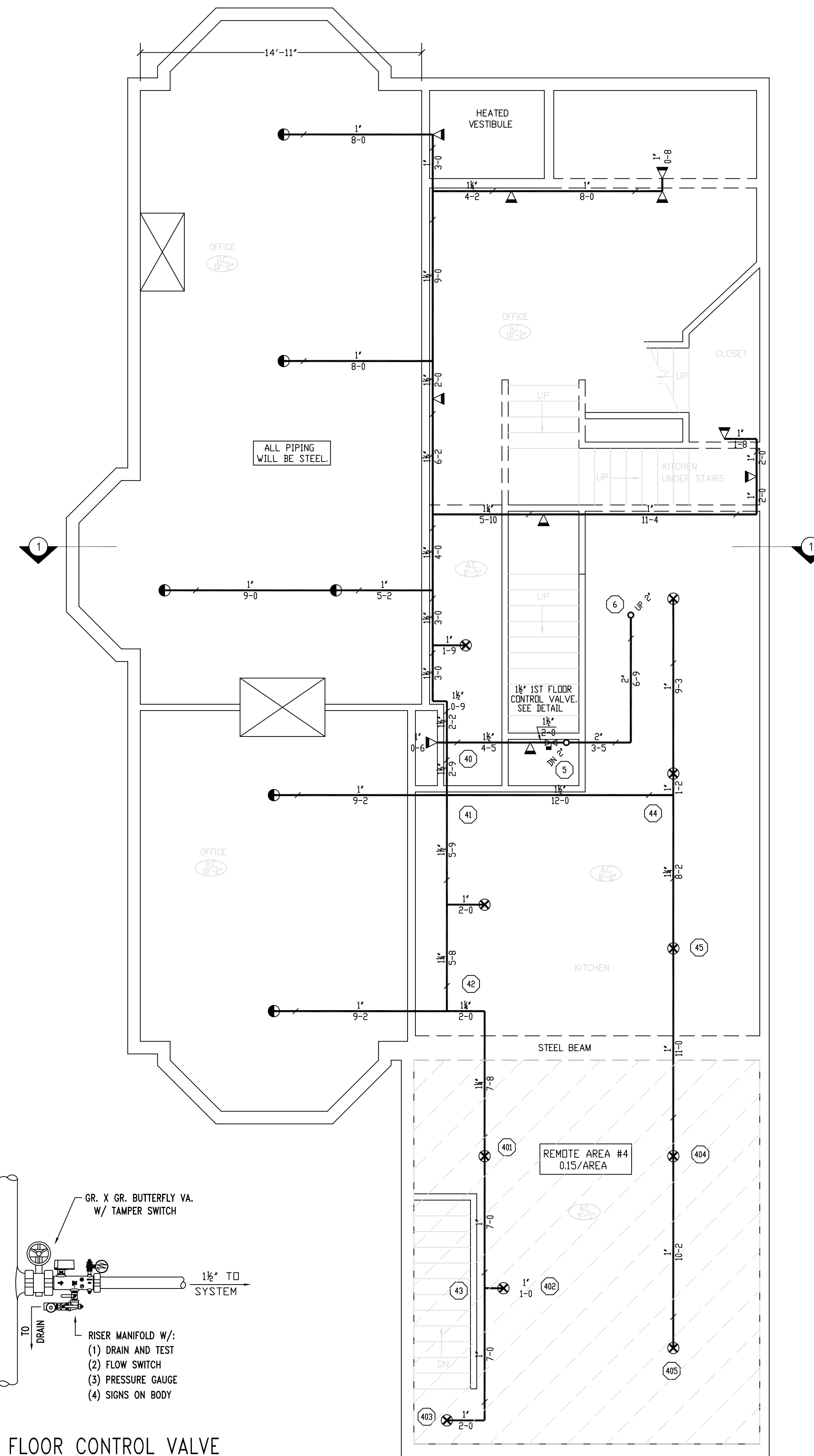
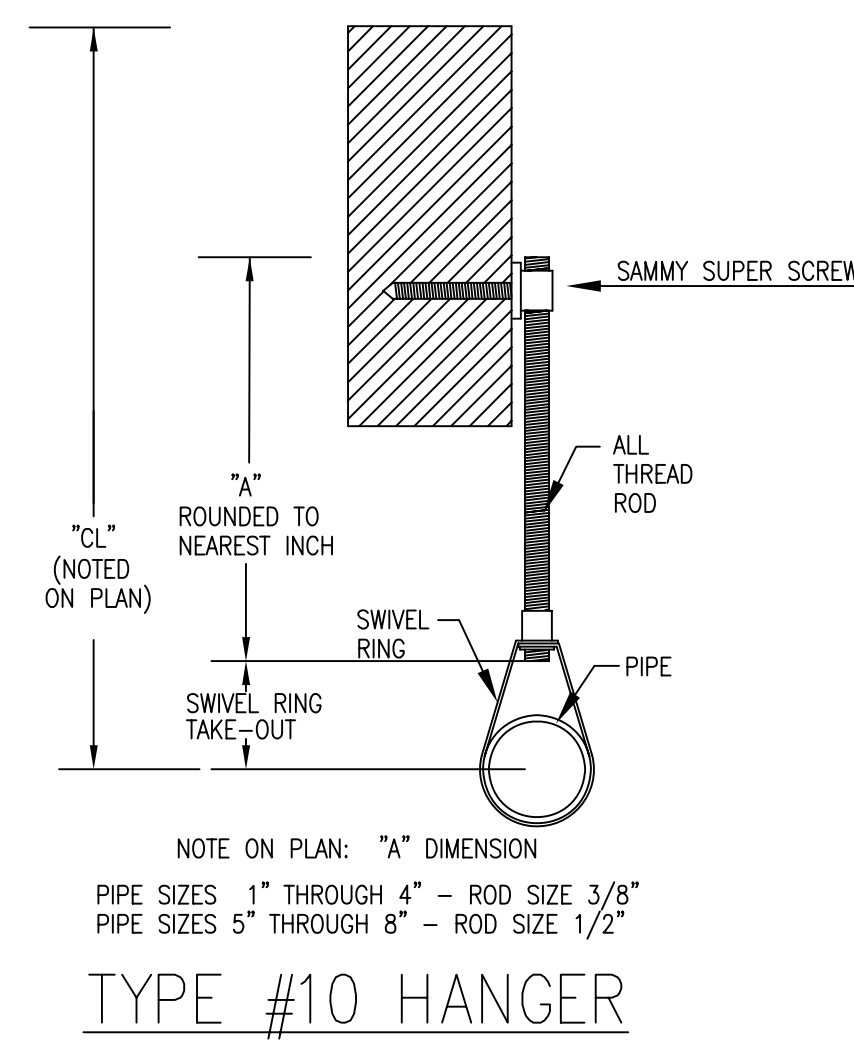
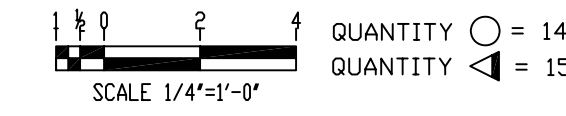
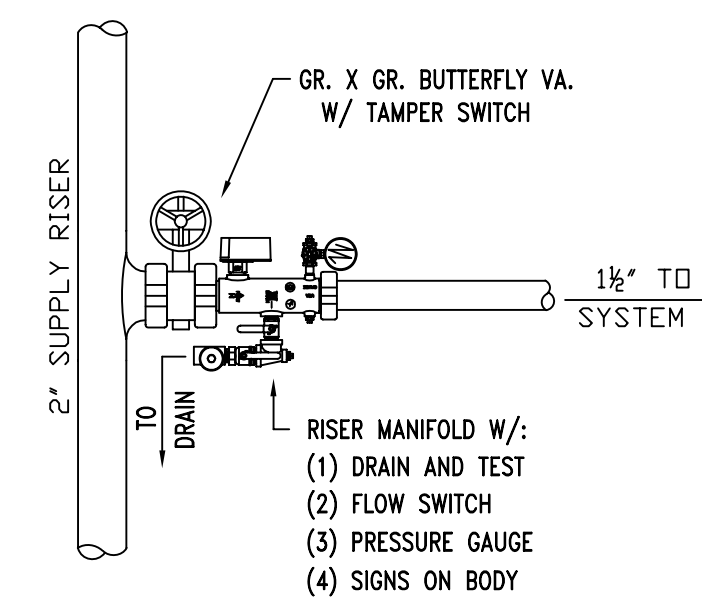


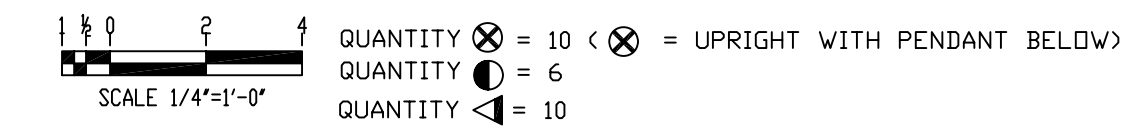
BASEMENT FIRE PROTECTION



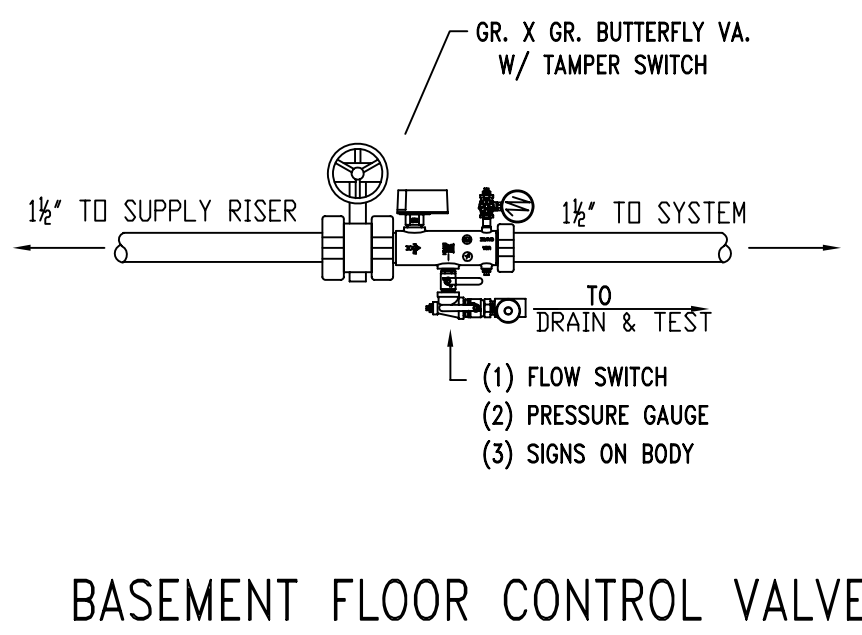
FIRST FLOOR CONTROL VALVE



FIRST FLOOR FIRE PROTECTION



HYDRAULIC DESIGN DATA	
System # & Area	#1 - #4
No. of Sprinklers	5
Density	0.15 GPM
Designed Area	AREA
Hose Allowance	250 GPM
Water Flow Rate	356 GPM
Residual Pressure at Base of Riser	41 PSI
Safety Factor at Base of Riser	8.40 PSI



BASEMENT FLOOR CONTROL VALVE

REVISIONS	NOTES	SPRINKLER TYPE	IDENTIFICATION NO.	MFG.	ESC.	MODEL	FINISH	ORIFICE	TEMP.	SYMBOL	QUANT.
	K-5.6 UPRIGHT & PENDANT SPRINKLER COVERAGE: 15'X15'	QUICK RESP. UPRIGHT K= 5.6	TY3131	TYCO	N/A	TY-FRB	BRASS	1/2"	155°	○	24
	K-5.6 SIDEWALL SPRINKLER COVERAGE: 14'X14'	QUICK RESP. PENDANT K= 5.6	TY3231	TYCO	2 PIECE	TY-FRB	WHITE	1/2"	155°	◊	10
		QUICK RESP. PENDANT K= 5.6	TY3231	TYCO	N/A	TY-FRB	WHITE	1/2"	155°	◊	6
		QUICK RESP. SIDEWALL K= 5.6	TY3331	TYCO	N/A	TY-FRB	WHITE	1/2"	155°	◊	25
TOTAL SPRINKLERS THIS DRAWING											65

STANDARD SYMBOLS	
○	- POST INDICATOR VALVE
◊	- KEY VALVE
◊	- FIRE HYDRANT
◊	- FIRE DEPT. CONNECTION
○	- O.S. & Y GATE VALVE
◊	- SWING CHECK VALVE
◊	- NEW UNDERGROUND
◊	- EXIST UNDERGROUND

STANDARD SYMBOLS	
◊	- ALARM CHECK VALVE
◊	- RISER W/ALARM VALVE
◊	- RISER W/DRY VALVE
◊	- RISER W/ELEC. FLOW SWITCH
◊	- RISER W/DELUGE VALVE
◊	- WATER MOTOR BELL
◊	- ELECTRIC BELL
◊	- FLUSH FIRE DEPT. CONNECTION

INSPECTIONS	
1.	
2.	
3.	
4.	
5.	

767 CONGRESS STREET
 PORTLAND, MAINE 04102

FIRE PROTECTION PLAN

FREEDOM FIRE PROTECTION, INC.
 209 QUAKER RIDGE ROAD
 CASCO, MAINE 04015

JOB No. M0168
 DATE 5/8/14
 DRAWN BY MJN
 SCALE AS NOTED
 SHEET No. FP-2of3