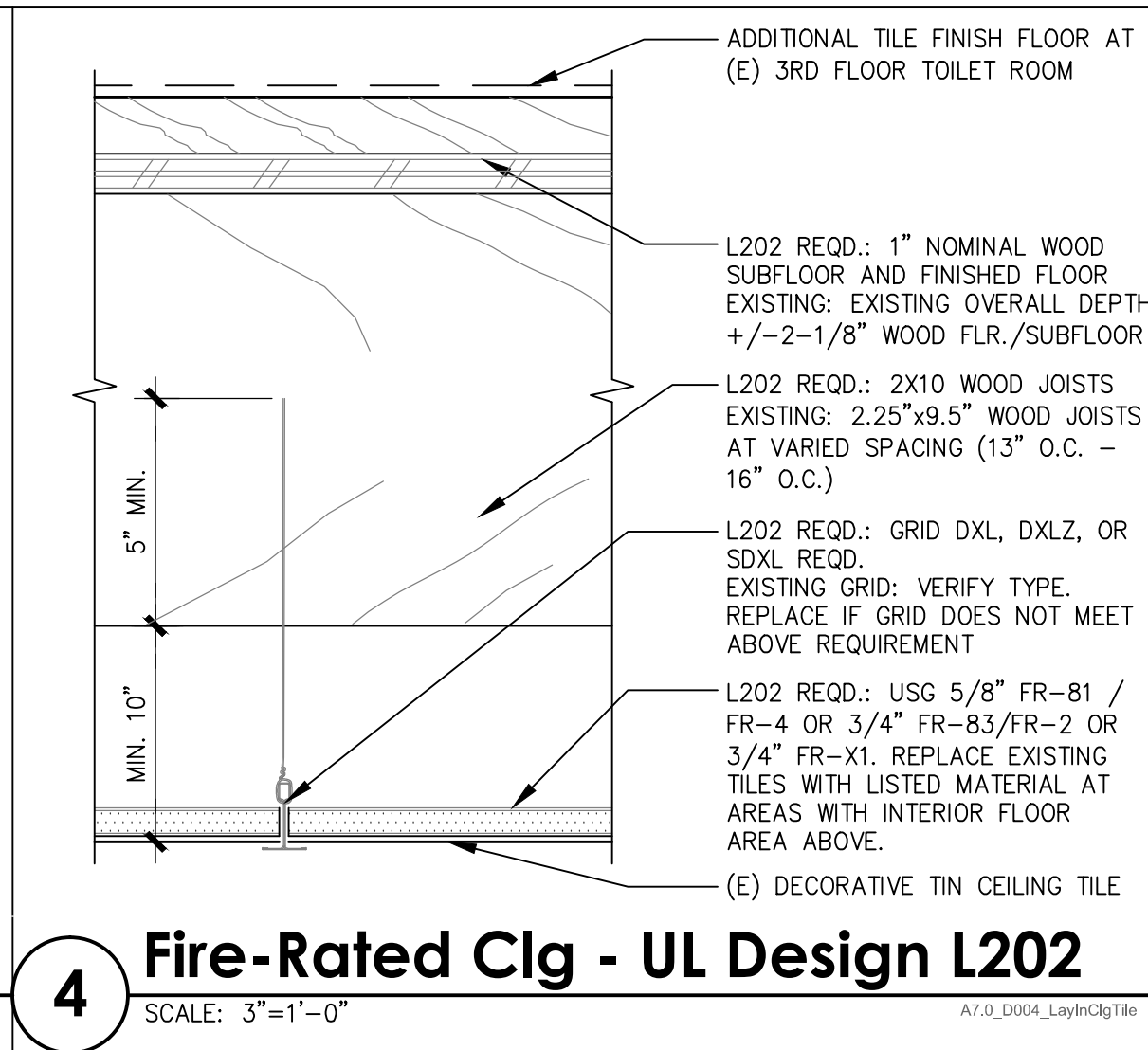
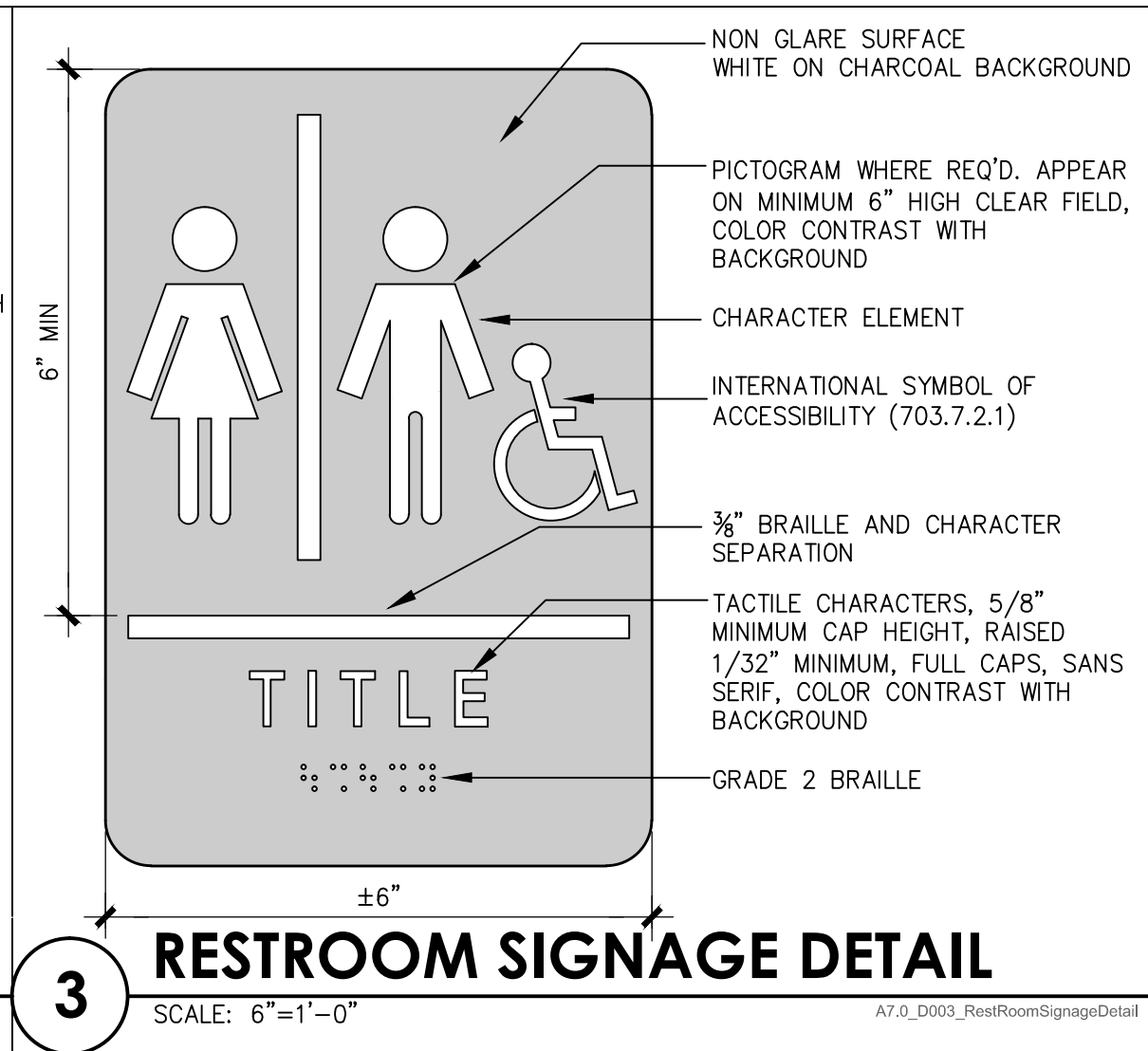


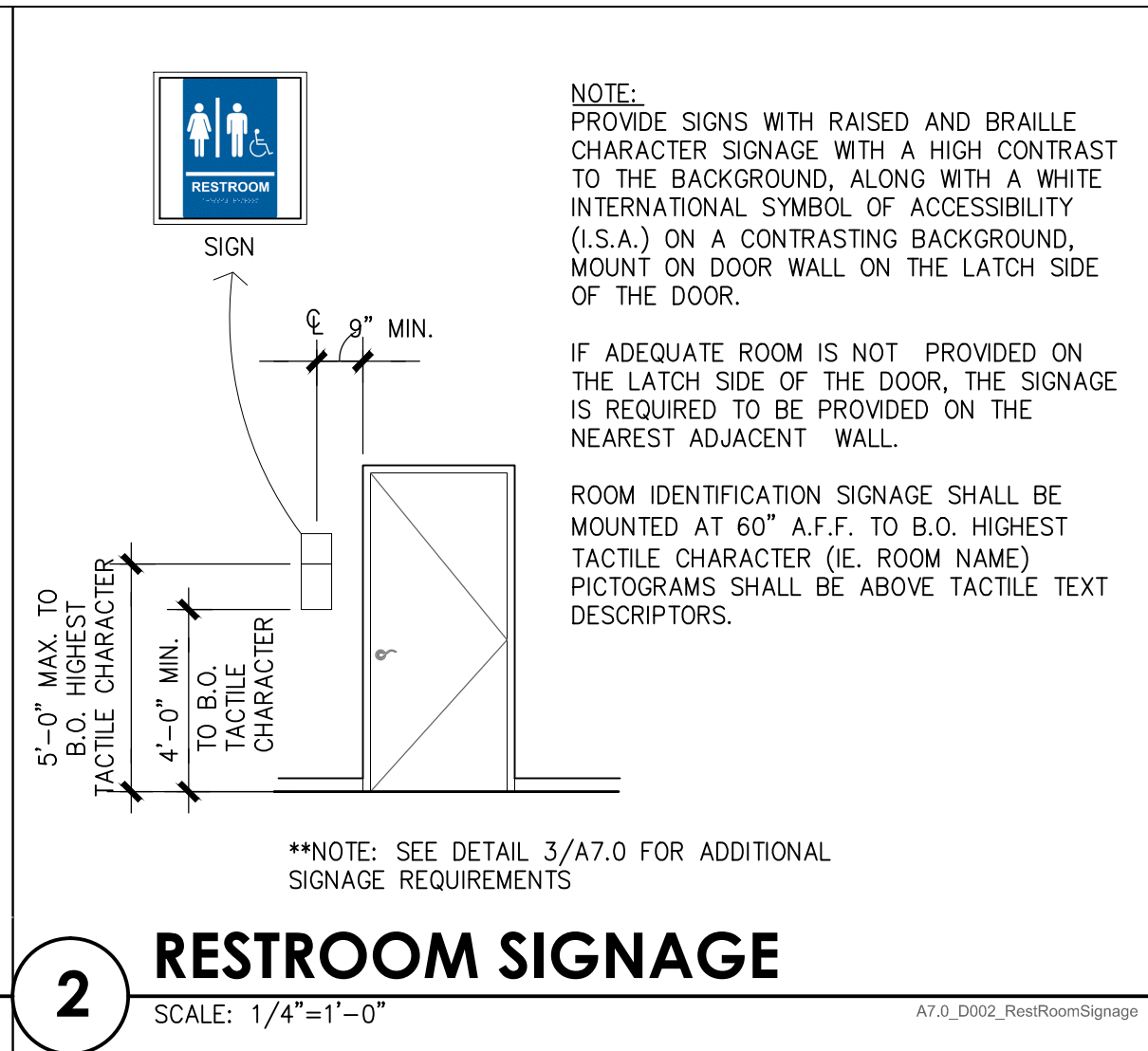
5 Fire-Rated Clg - GA FC 5406
SCALE: 3"=1'-0"



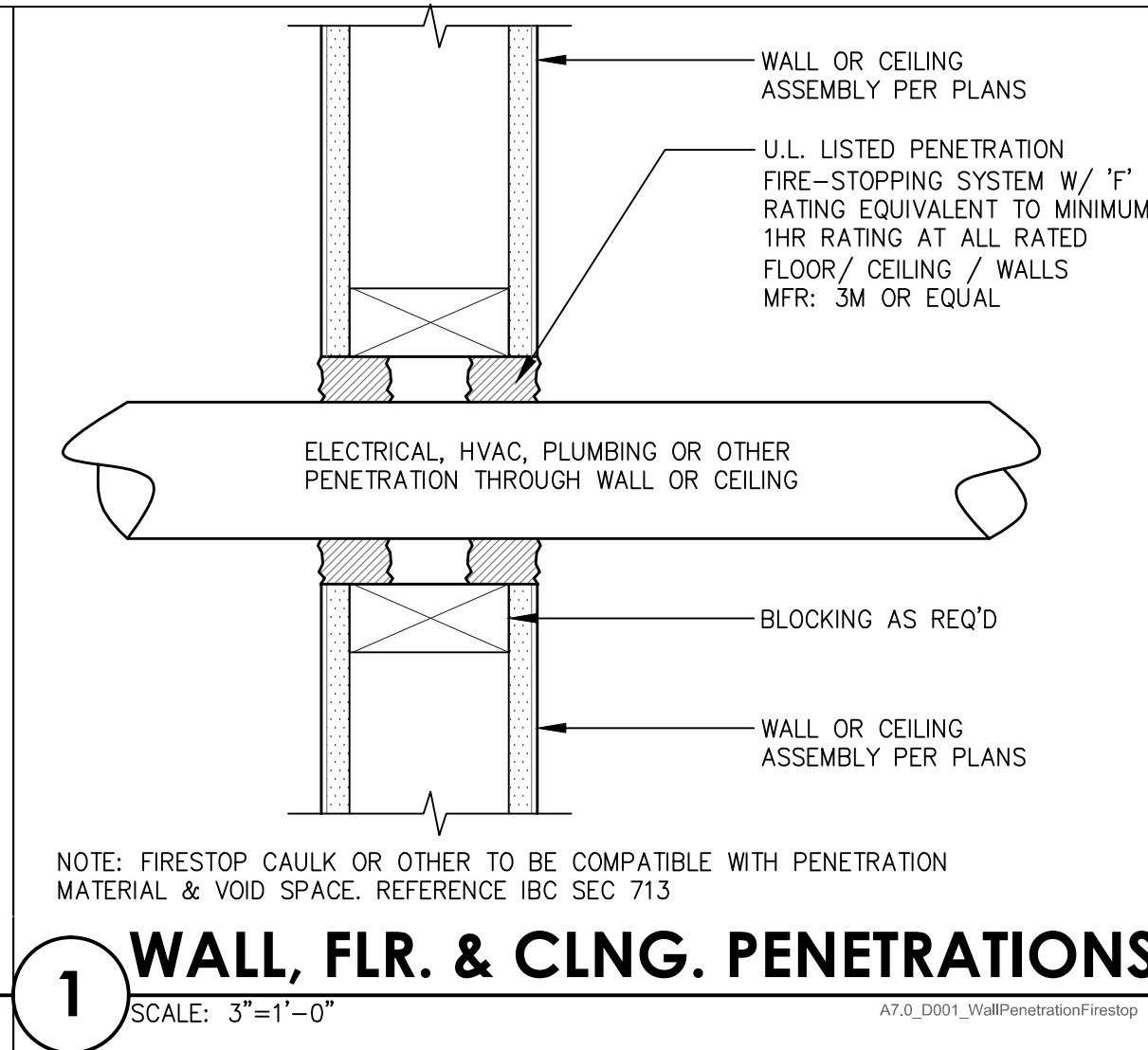
4 Fire-Rated Clg - UL Design L202
SCALE: 3"=1'-0"



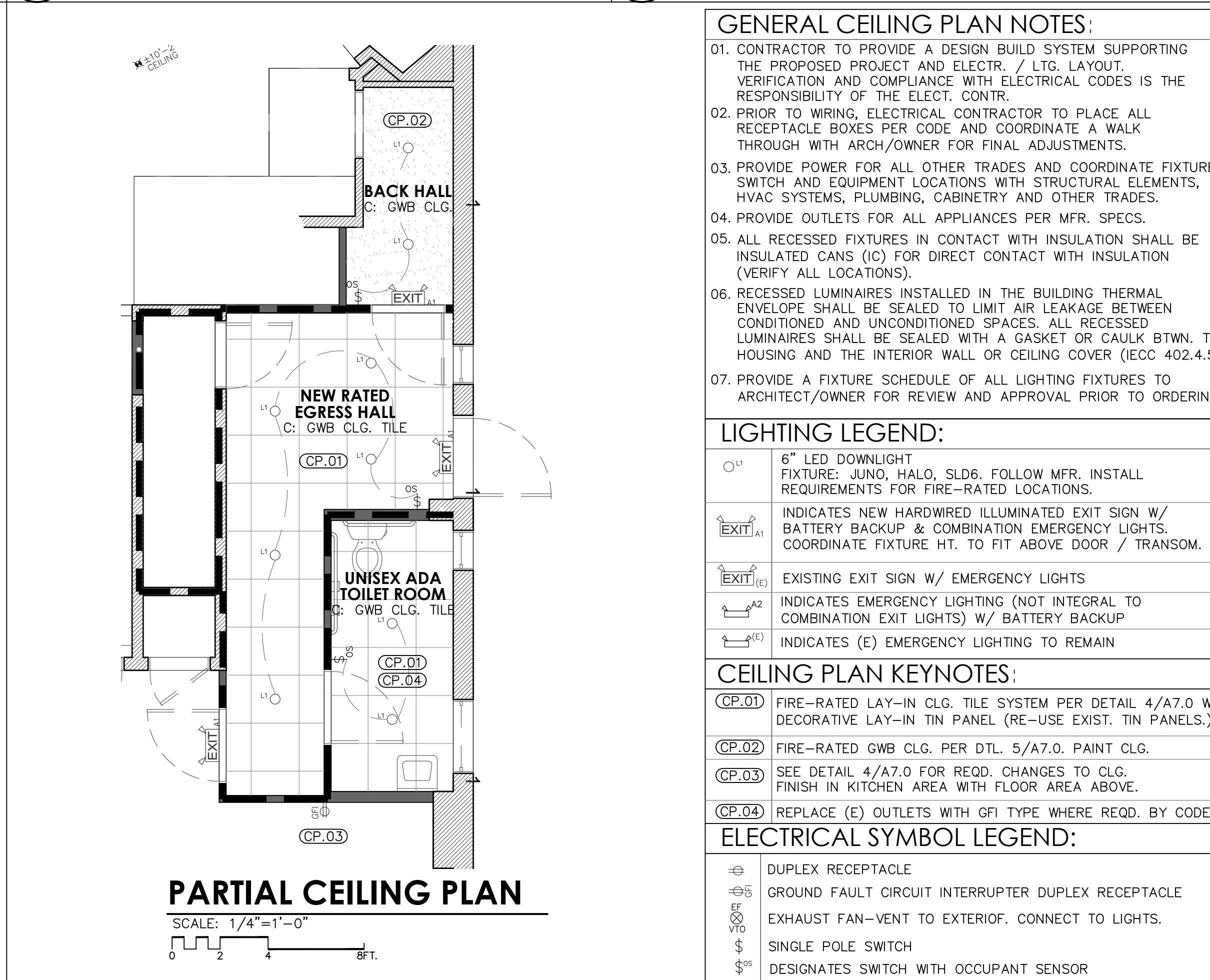
3 RESTROOM SIGNAGE DETAIL
SCALE: 6"=1'-0"



2 RESTROOM SIGNAGE
SCALE: 1/4"=1'-0"



1 WALL, FLR. & CLNG. PENETRATIONS
SCALE: 3"=1'-0"



PARTIAL CEILING PLAN
SCALE: 1/4"=1'-0"

GENERAL CEILING PLAN NOTES:

- CONTRACTOR TO PROVIDE A DESIGN BUILD SYSTEM SUPPORTING THE PROPOSED PROJECT AND ELECTR. / LTG. LAYOUT. VERIFICATION AND COMPLIANCE WITH ELECTRICAL CODES IS THE RESPONSIBILITY OF THE ELECT. CONTR.
- PRIOR TO WIRING, ELECTRICAL CONTRACTOR TO PLACE ALL RECEPTACLE BOXES PER CODE AND COORDINATE A WALK THROUGH WITH ARCH/OWNER FOR FINAL ADJUSTMENTS.
- PROVIDE POWER FOR ALL OTHER TRADES AND COORDINATE FIXTURE, SWITCH AND EQUIPMENT LOCATIONS WITH STRUCTURAL ELEMENTS, HVAC SYSTEMS, PLUMBING, CABINETRY AND OTHER TRADES.
- PROVIDE OUTLETS FOR ALL APPLIANCES PER MFR. SPECS.
- ALL RECESSED FIXTURES IN CONTACT WITH INSULATION SHALL BE INSULATED CANS (IC) FOR DIRECT CONTACT WITH INSULATION (VERIFY ALL LOCATIONS).
- RECESSED LUMINAIRES INSTALLED IN THE BUILDING THERMAL ENVELOPE SHALL BE SEALED TO LIMIT AIR LEAKAGE BETWEEN CONDITIONED AND UNCONDITIONED SPACES. ALL RECESSED LUMINAIRES SHALL BE SEALED WITH A GASKET OR CAULK BTWN. THE HOUSING AND THE INTERIOR WALL OR CEILING COVER (IECC 402.4.5)
- PROVIDE A FIXTURE SCHEDULE OF ALL LIGHTING FIXTURES TO ARCHITECT/OWNER FOR REVIEW AND APPROVAL PRIOR TO ORDERING.

LIGHTING LEGEND:

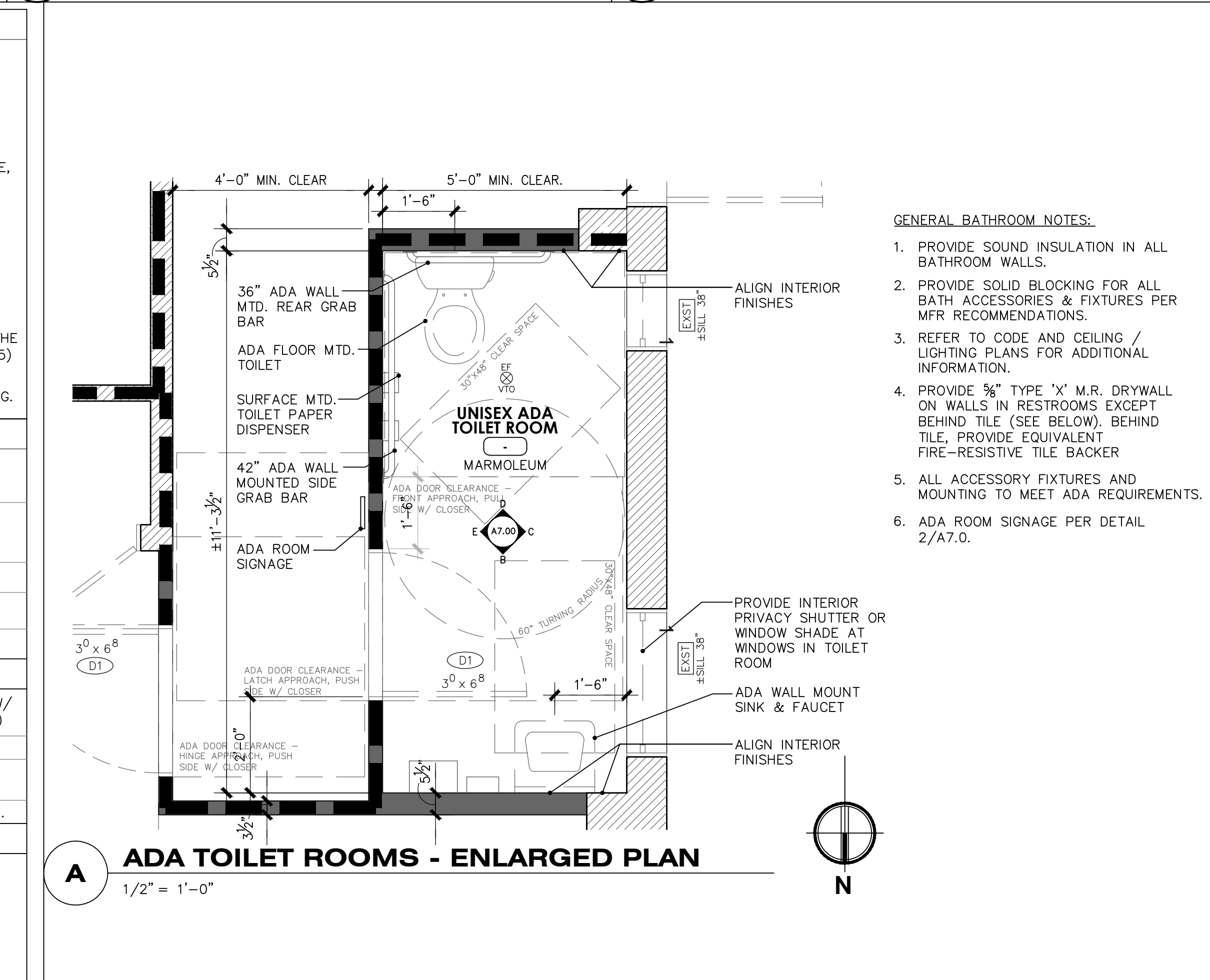
- 6" LED DOWNLIGHT FIXTURE: JUNO, HALO, SLD6. FOLLOW MFR. INSTALL REQUIREMENTS FOR FIRE-RATED LOCATIONS.
- INDICATES NEW HARDWIRED ILLUMINATED EXIT SIGN W/ BATTERY BACKUP & COMBINATION EMERGENCY LIGHTS. COORDINATE FIXTURE HT. TO FIT ABOVE DOOR / TRANSOM.
- EXISTING EXIT SIGN W/ EMERGENCY LIGHTS
- INDICATES EMERGENCY LIGHTING (NOT INTEGRAL TO COMBINATION EXIT LIGHTS) W/ BATTERY BACKUP
- INDICATES (E) EMERGENCY LIGHTING TO REMAIN

CEILING PLAN KEYNOTES:

- CP.01 FIRE-RATED LAY-IN CLG. TILE SYSTEM PER DETAIL 4/A7.0 W/ DECORATIVE LAY-IN TIN PANEL (RE-USE EXIST. TIN PANELS.)
- CP.02 FIRE-RATED GWB CLG. PER DTL. 5/A7.0. PAINT CLG.
- CP.03 SEE DETAIL 4/A7.0 FOR REQ'D. CHANGES TO CLG. FINISH IN KITCHEN AREA WITH FLOOR AREA ABOVE.
- CP.04 REPLACE (E) OUTLETS WITH GFI TYPE WHERE REQ'D. BY CODE.

ELECTRICAL SYMBOL LEGEND:

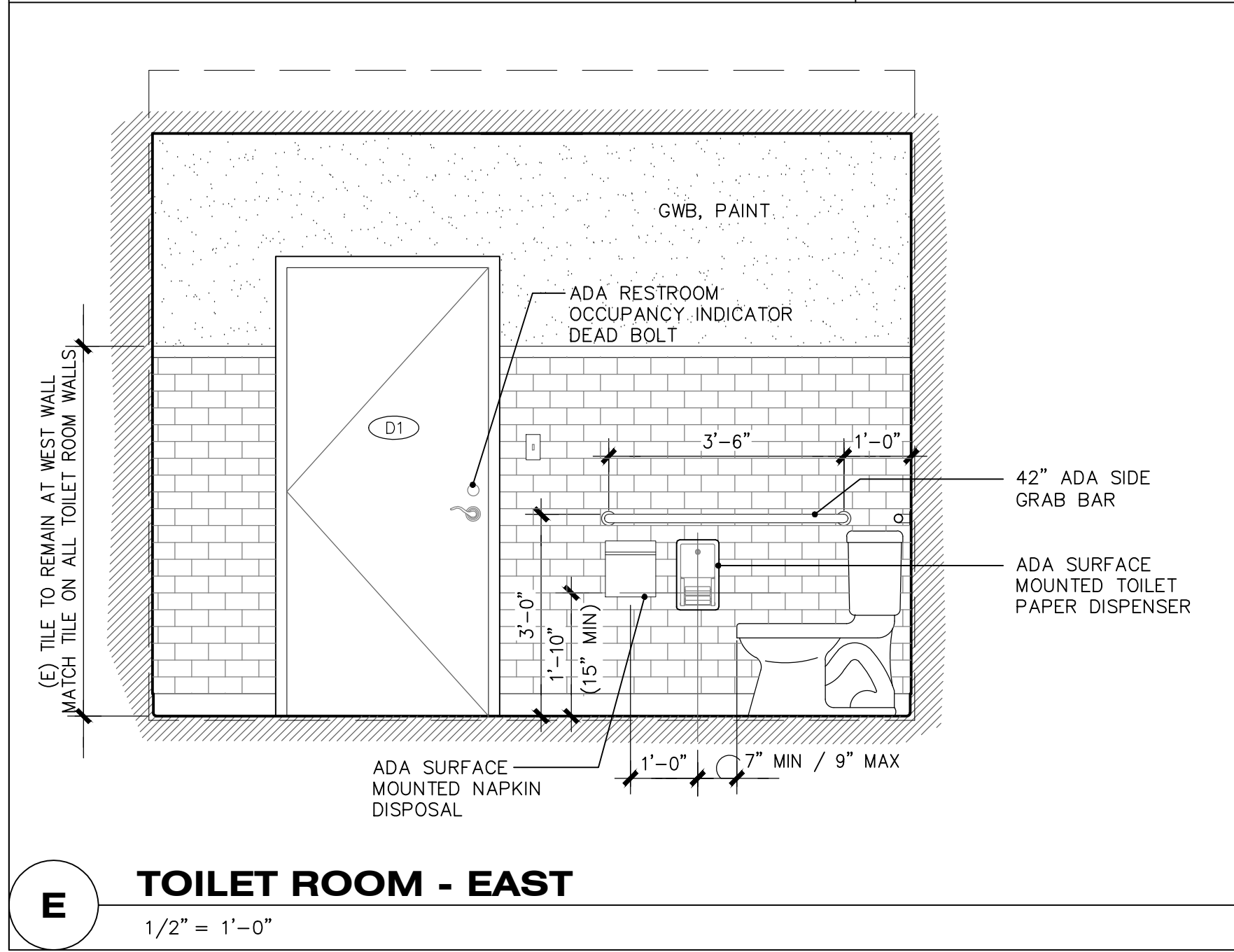
- DUPLEX RECEPTACLE
- GROUND FAULT CIRCUIT INTERRUPTER DUPLEX RECEPTACLE
- EXHAUST FAN-VENT TO EXTERIOR. CONNECT TO LIGHTS.
- SINGLE POLE SWITCH
- DESIGNATES SWITCH WITH OCCUPANT SENSOR



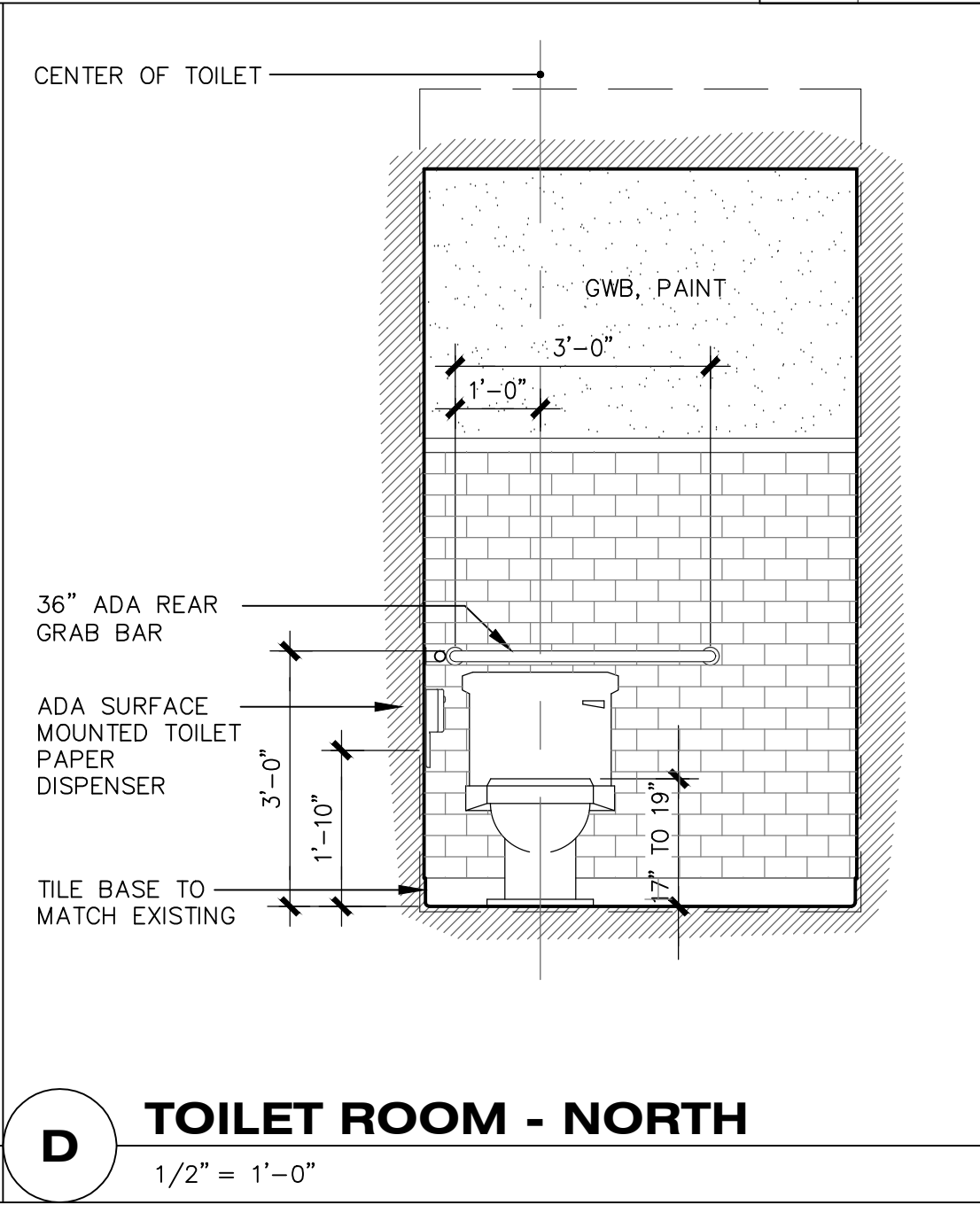
ADA TOILET ROOMS - ENLARGED PLAN
SCALE: 1/2"=1'-0"

GENERAL BATHROOM NOTES:

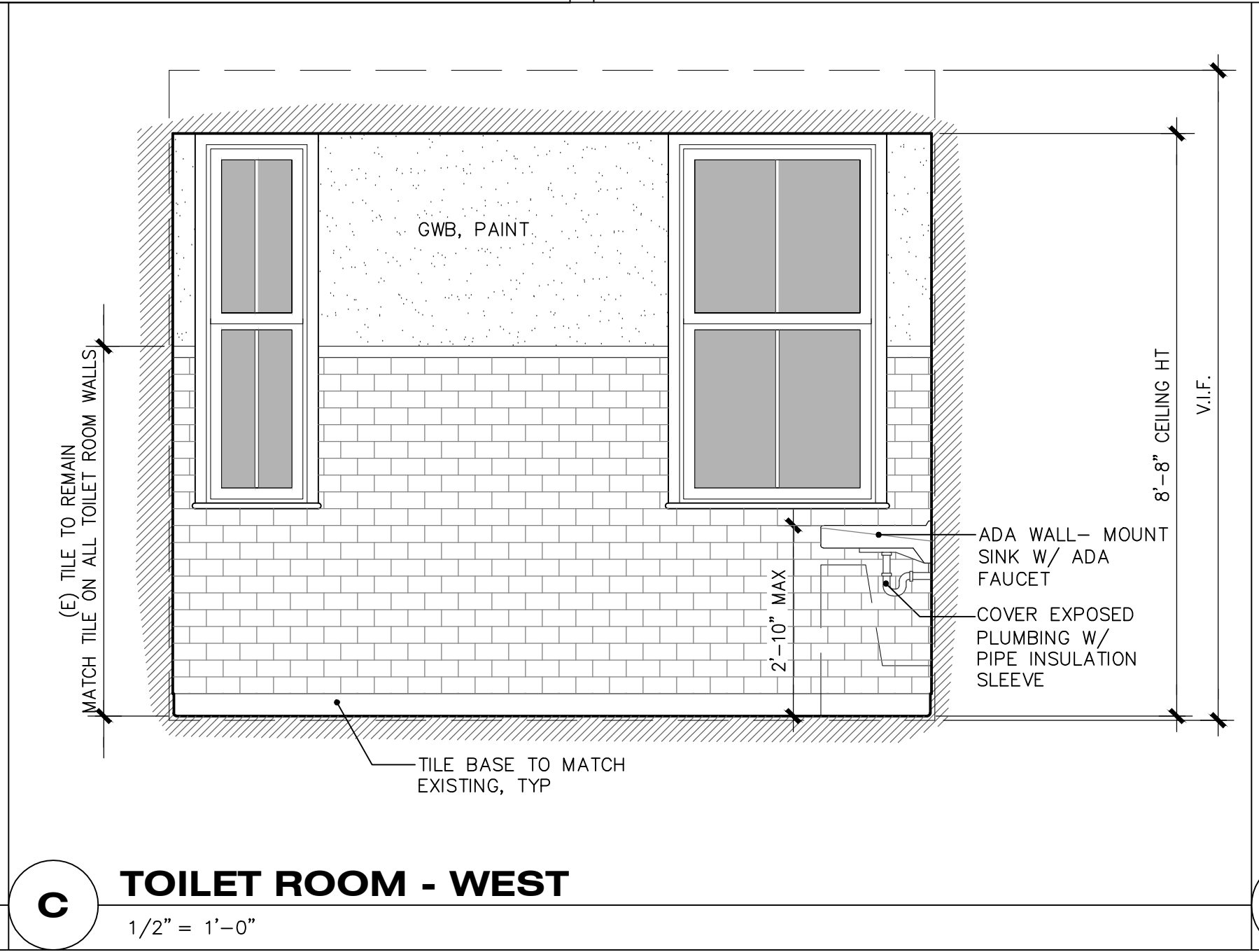
- PROVIDE SOUND INSULATION IN ALL BATHROOM WALLS.
- PROVIDE SOLID BLOCKING FOR ALL BATH ACCESSORIES & FIXTURES PER MFR RECOMMENDATIONS.
- REFER TO CODE AND CEILING / LIGHTING PLANS FOR ADDITIONAL INFORMATION.
- PROVIDE 5/8" TYPE 'X' M.R. DRYWALL ON WALLS IN RESTROOMS EXCEPT BEHIND TILE (SEE BELOW). BEHIND TILE, PROVIDE EQUIVALENT FIRE-RESISTIVE TILE BACKER.
- ALL ACCESSORY FIXTURES AND MOUNTING TO MEET ADA REQUIREMENTS.
- ADA ROOM SIGNAGE PER DETAIL 2/A7.0.



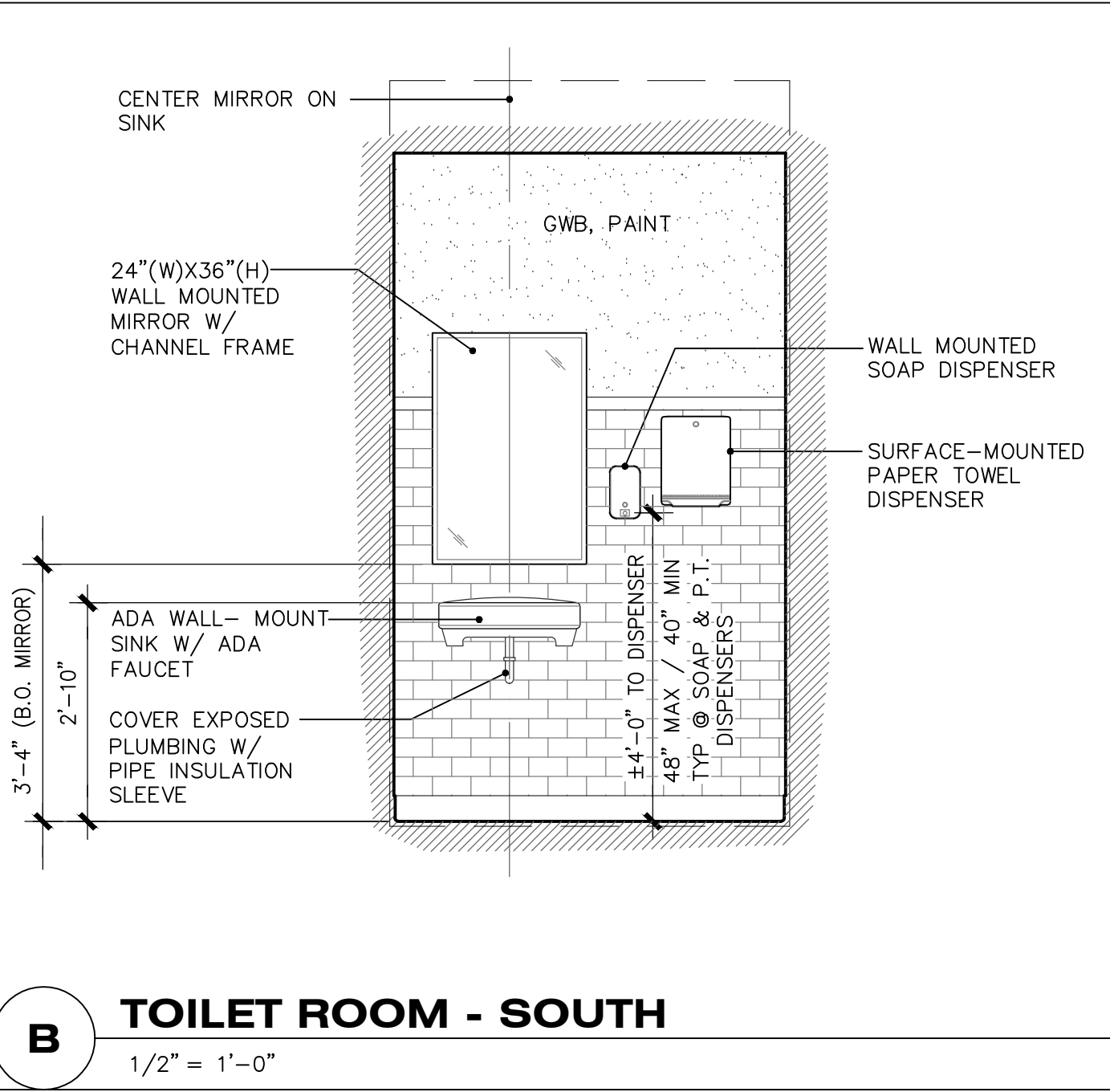
E TOILET ROOM - EAST
SCALE: 1/2"=1'-0"



D TOILET ROOM - NORTH
SCALE: 1/2"=1'-0"



C TOILET ROOM - WEST
SCALE: 1/2"=1'-0"



B TOILET ROOM - SOUTH
SCALE: 1/2"=1'-0"