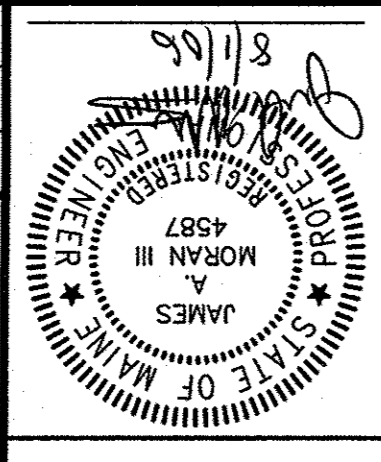
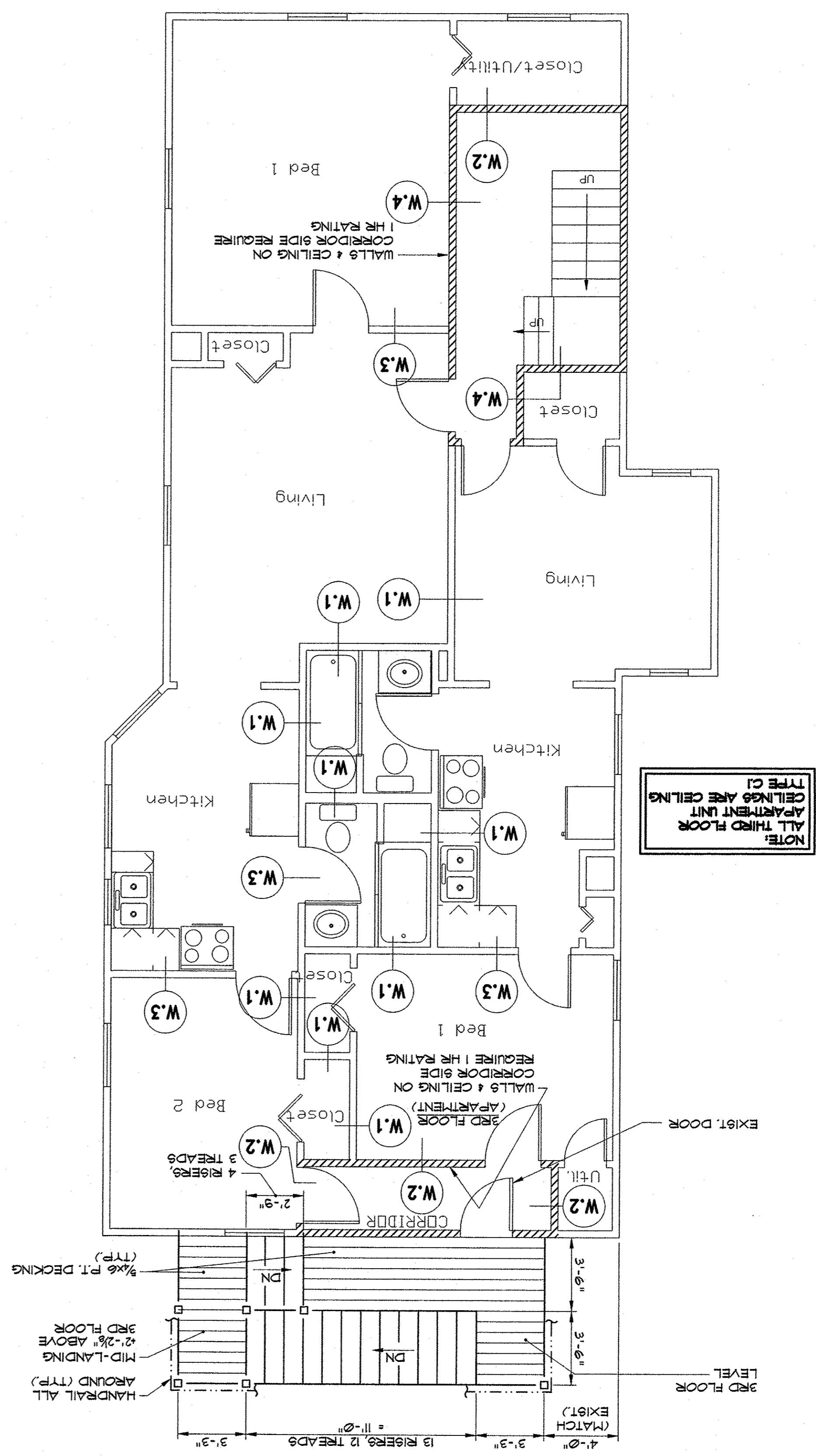


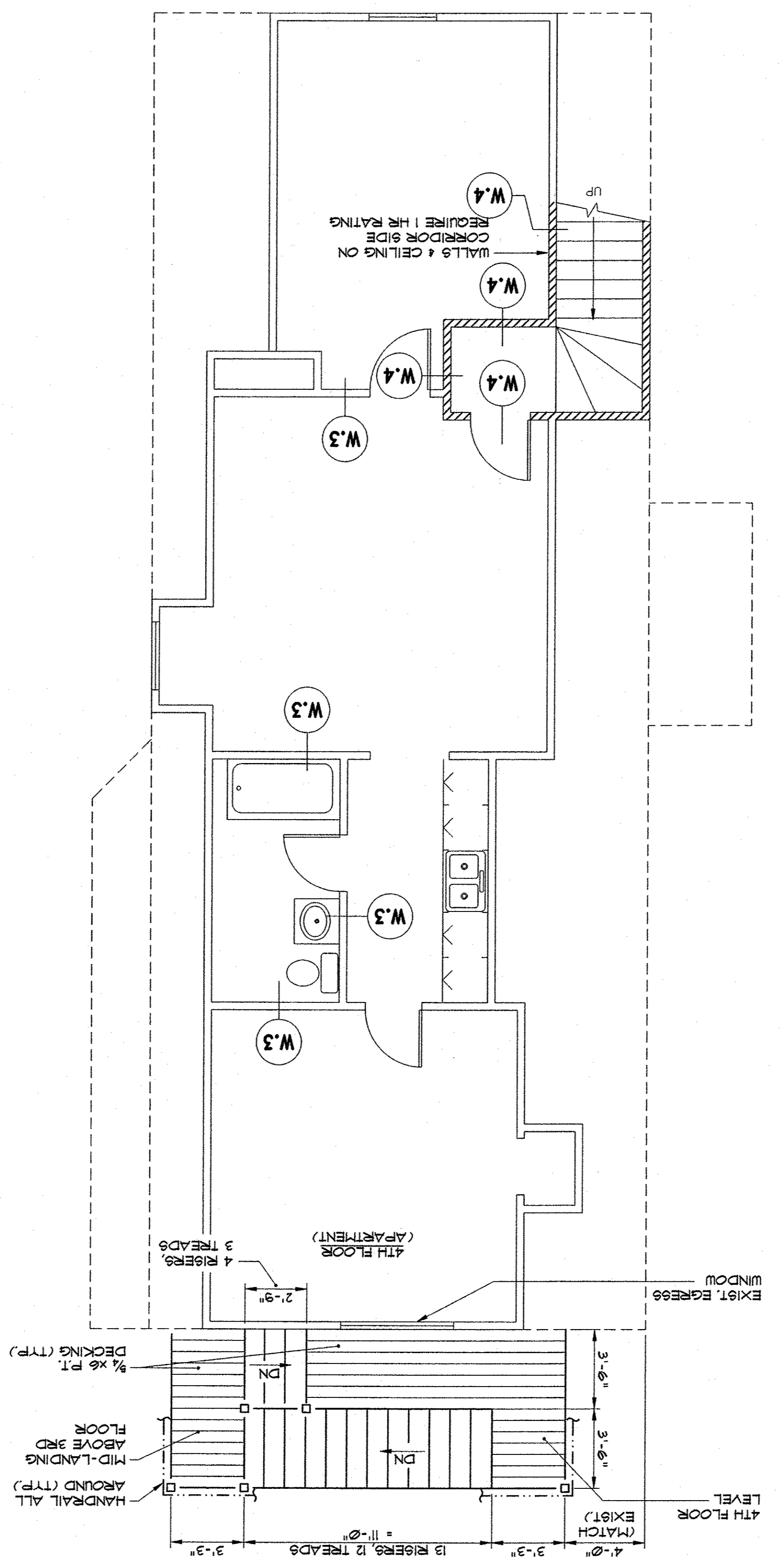
SS	PROJECT: 05347	CHK BY:
	DATE: FEBRUARY, 2006	DESIGN BY: JAM III
	SCALE: AS SHOWN	DRN BY: RJS/MJB
THIRD & FOURTH FLOOR PLANS CONSULTING ENGINEERS, INC. PINKHAM & GREER PORTLAND, MAINE 785 CONGRESS STREET BEN PALMER		
REV.	DATE	DESCRIPTION
A	02/22/06	PERMITS
B	03/20/06	ADDED EXTERIOR STAIRWAY, REAR ELEVATION
C	01/06	ADDED RATED WALL/CEILING DETAILS



THIRD FLOOR PLAN



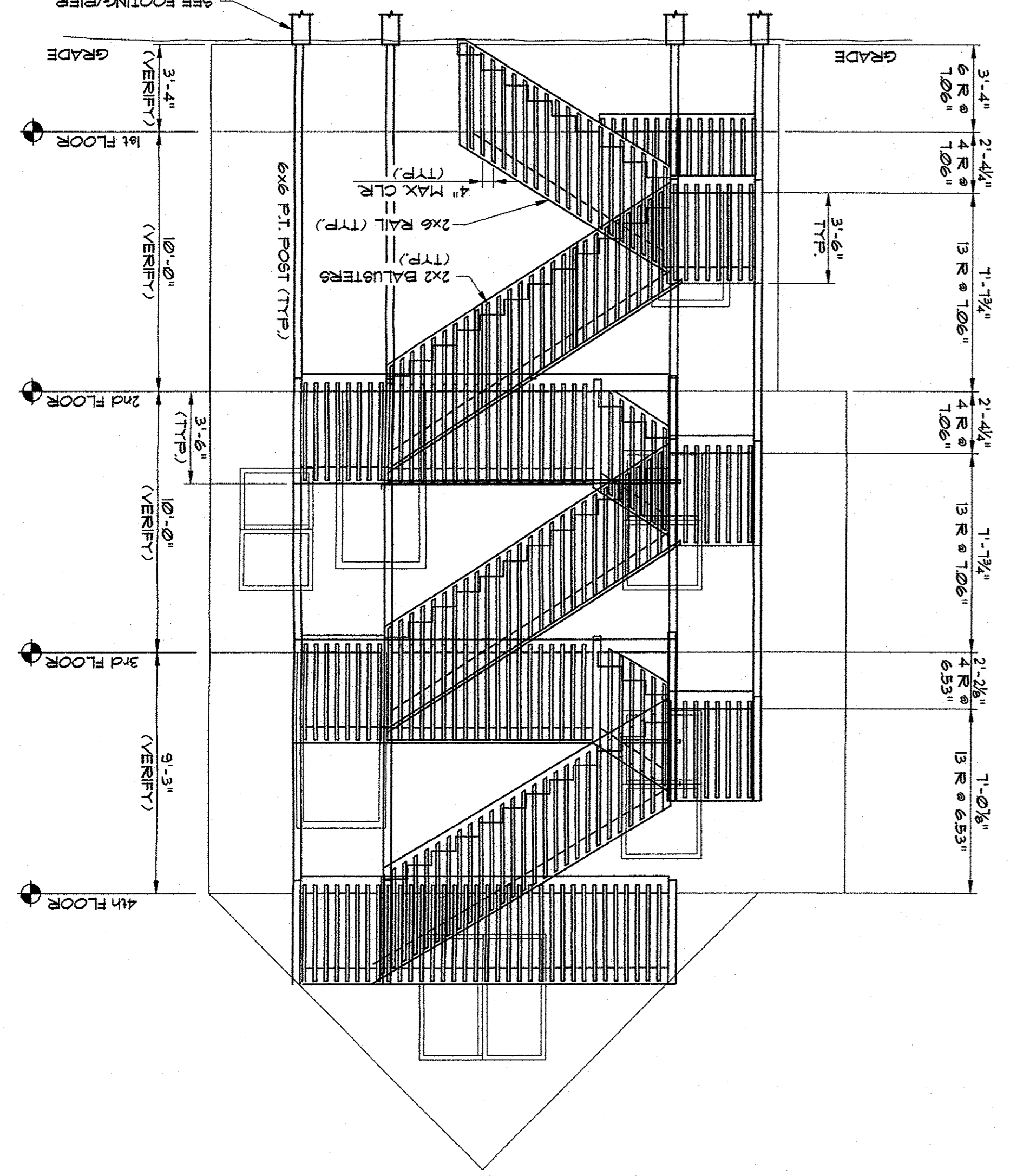
FOURTH FLOOR PLAN

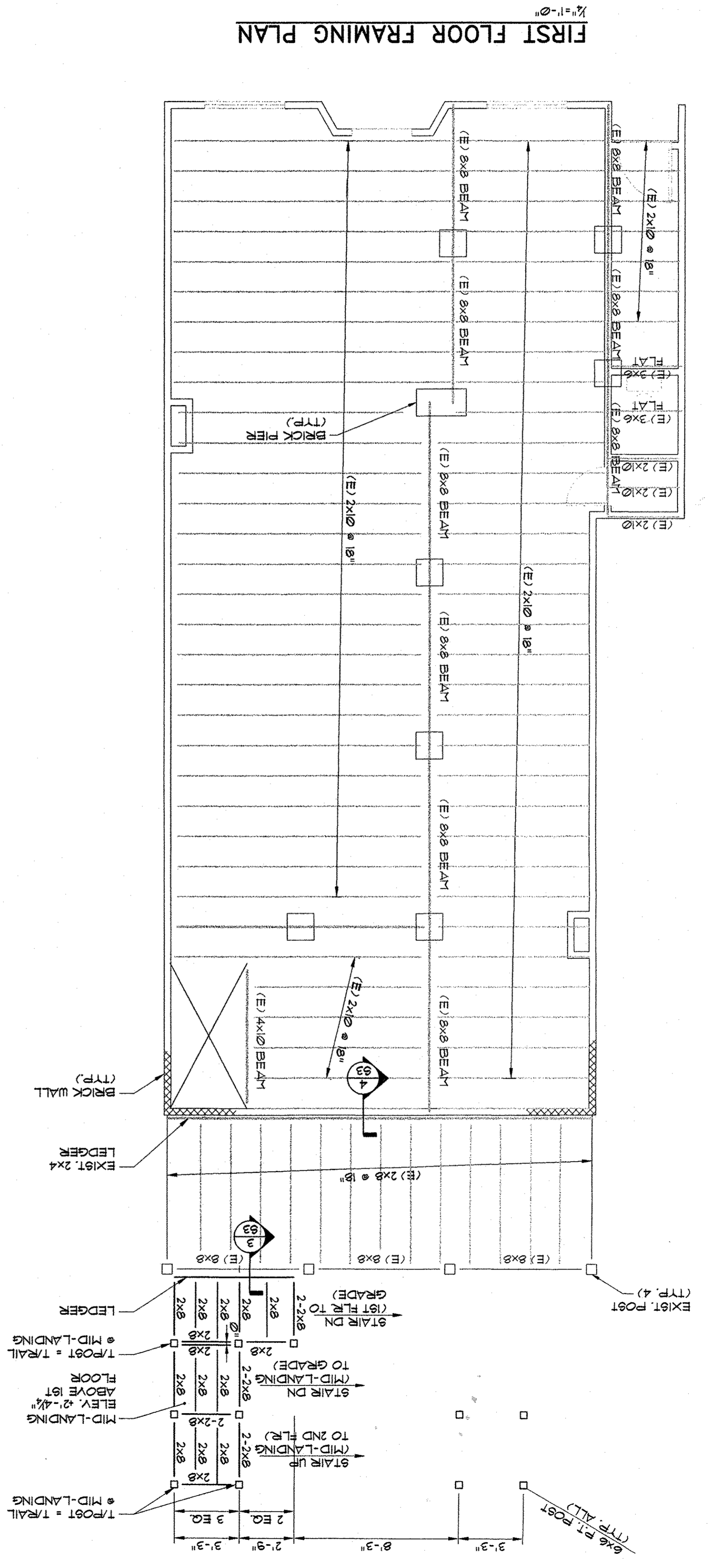


NOTES:

1. ALL LUMBER FOR EXTERIOR STAIR AND RAILINGS/HANDRAILS TO BE PRESSURE-TREATED (P.T.) SOUTHERN-PINE (MIN. 2 GRADES).
2. DECKING FOR PLATFORMS, STAIR TREADS: 3/4" P.T.
3. STAIR STRINGERS: 4-2X12 NOTCHED AND REINFORCED ON BOTTOM EDGE W/ 2X6 P.T. NAILED AT 12" O.C.
4. HANDRAIL POSTS @ 4'-0" O.C. MAX. SPACING (4X4 P.T.) - CARRIAGE BOLT TO FRAMING/STRINGERS W/ 2-1/2" GALV. BOLTS. INSTALL P.T. BLOCKING TO ADJACENT JOIST POSTS.
5. BOLT PRIMARY FRAMING MEMBERS TO 6X6 POSTS WITH 2-1/2" GALV. CARRIAGE BOLTS.

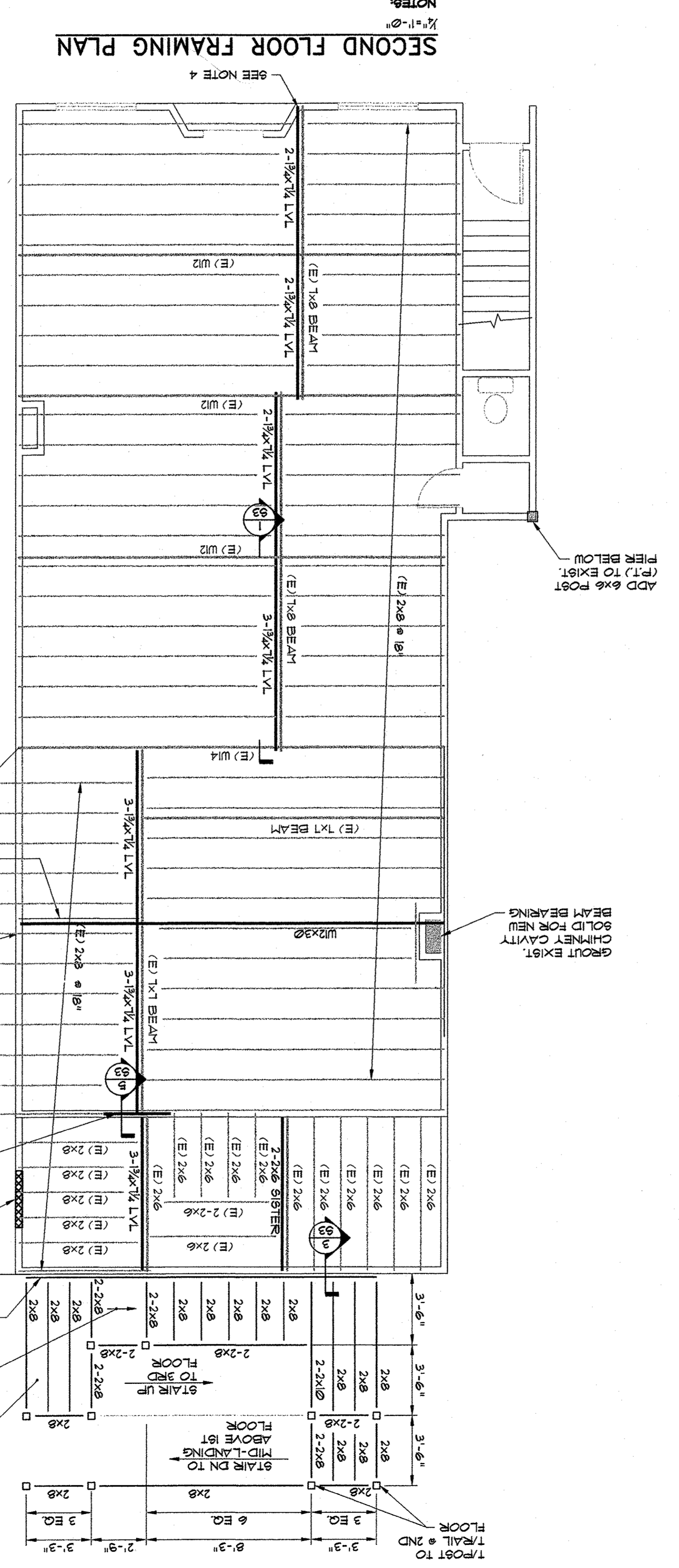
REAR ELEVATION





FIRST FLOOR FRAMING PLAN
1/4" = 1'-0"

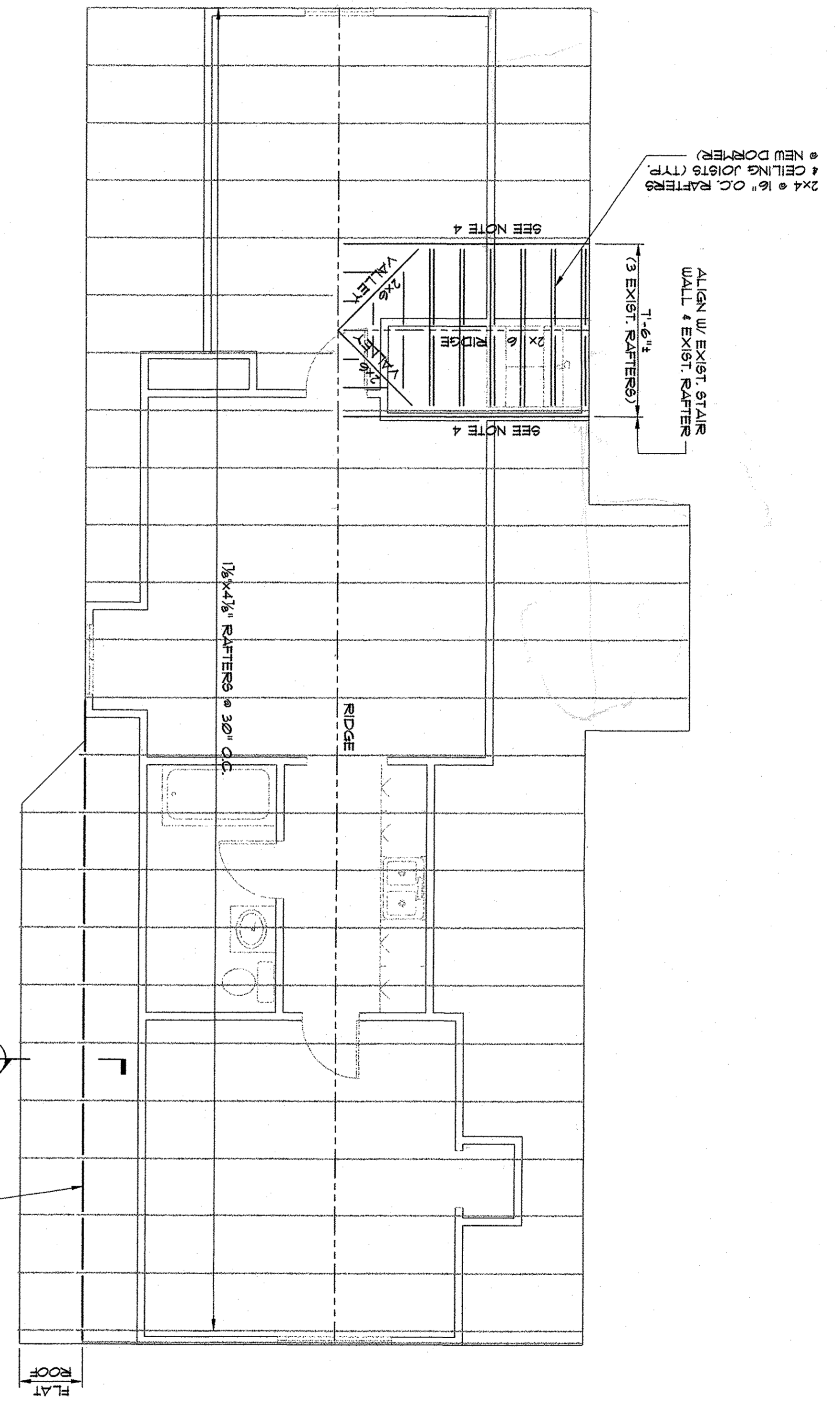
- NOTES:**
1. ALL FRAMING IS EXISTING UNLESS NOTED OTHERWISE.
 2. ADD JOIST HANGERS TO ALL EXISTING FLUSH OTHERWISE.
 3. ALL NEW EXTERIOR STAIR FRAMING IS SOUTHERN-PINE PRESURE TREATED.



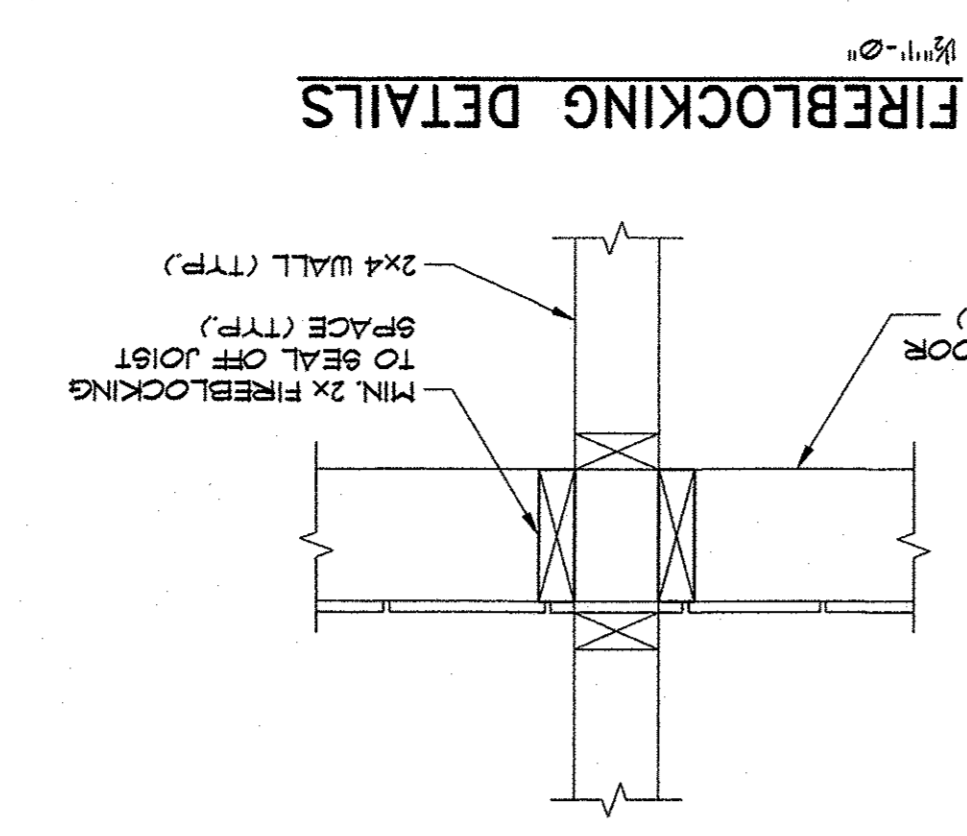
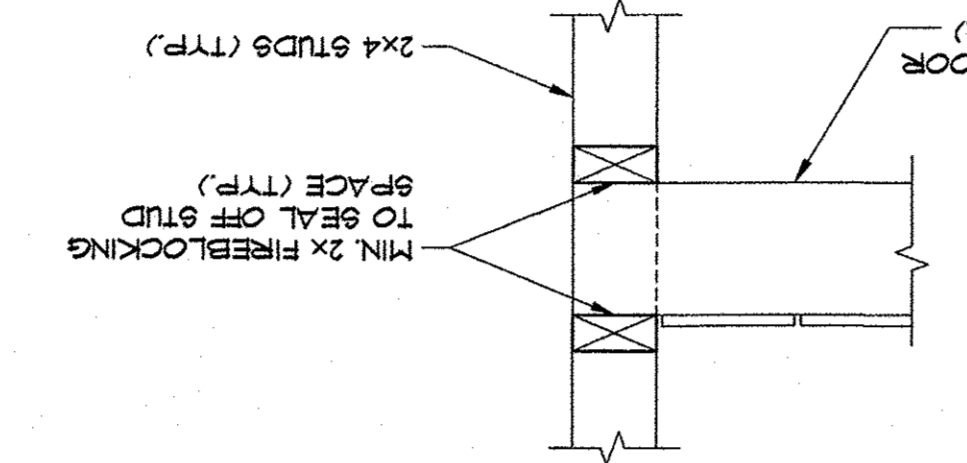
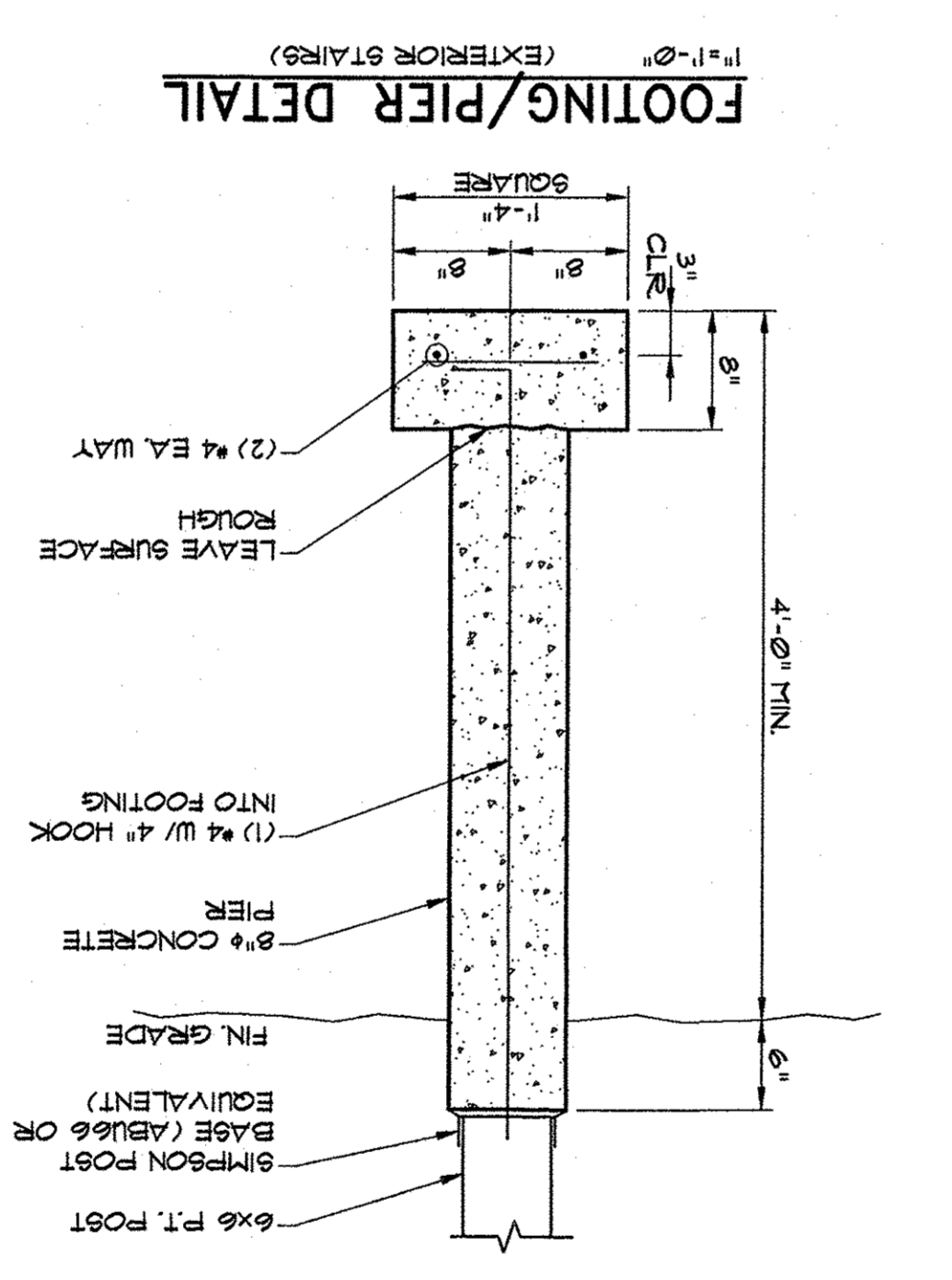
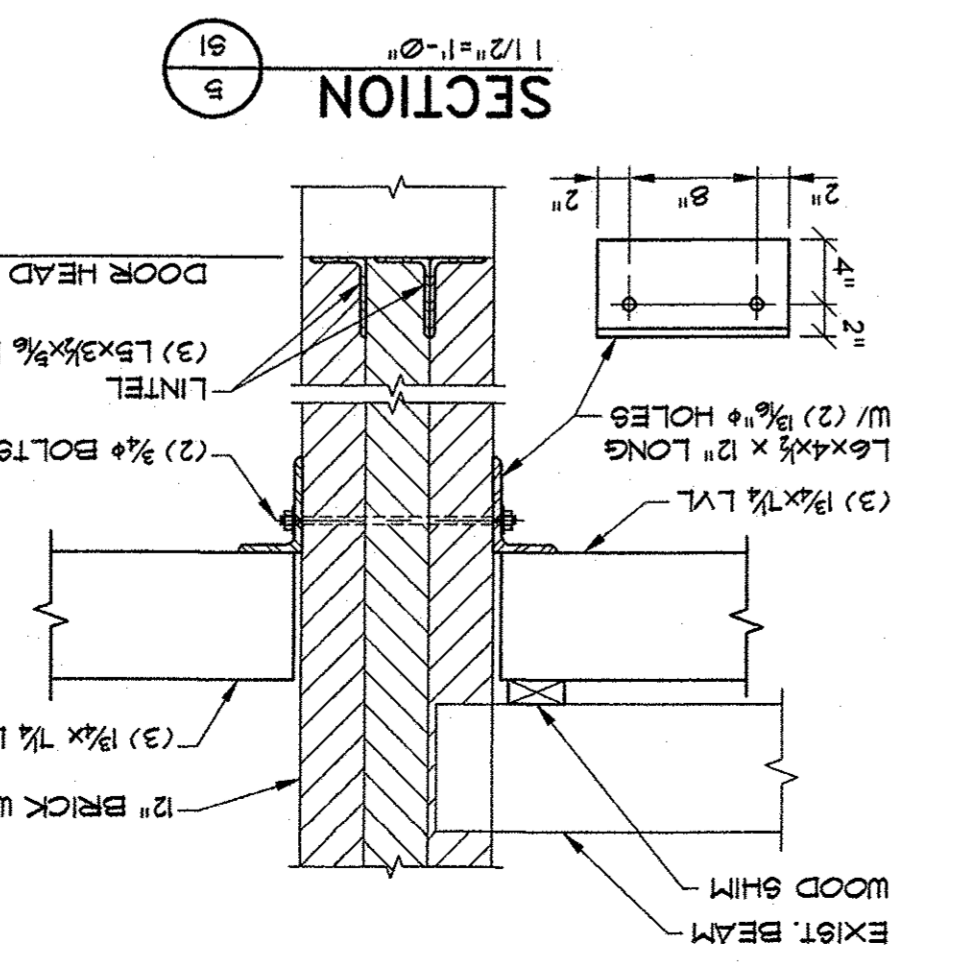
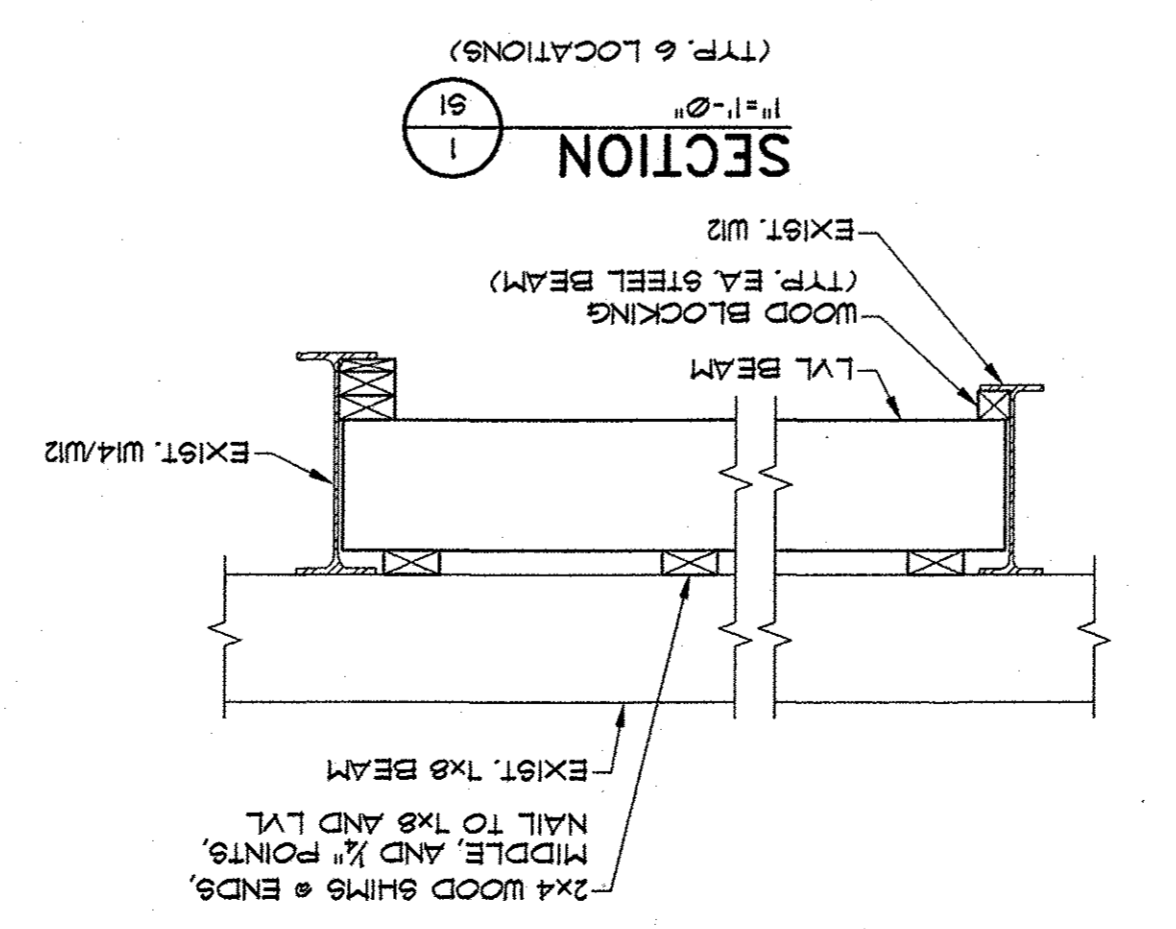
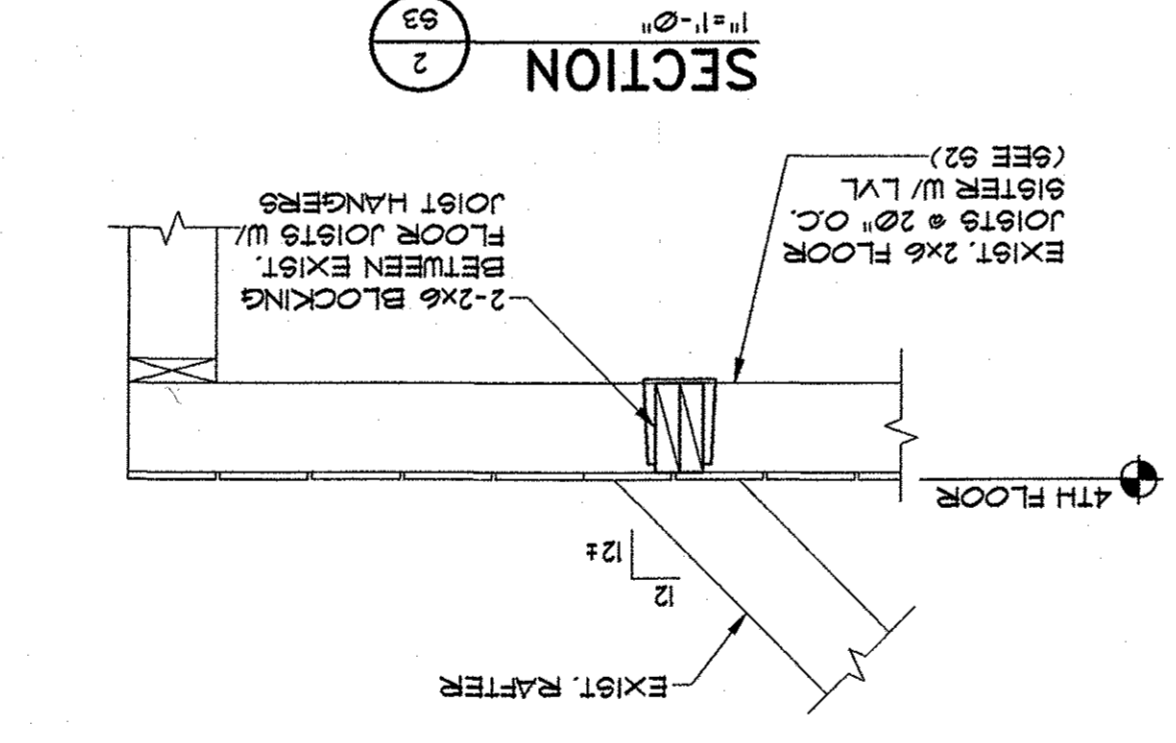
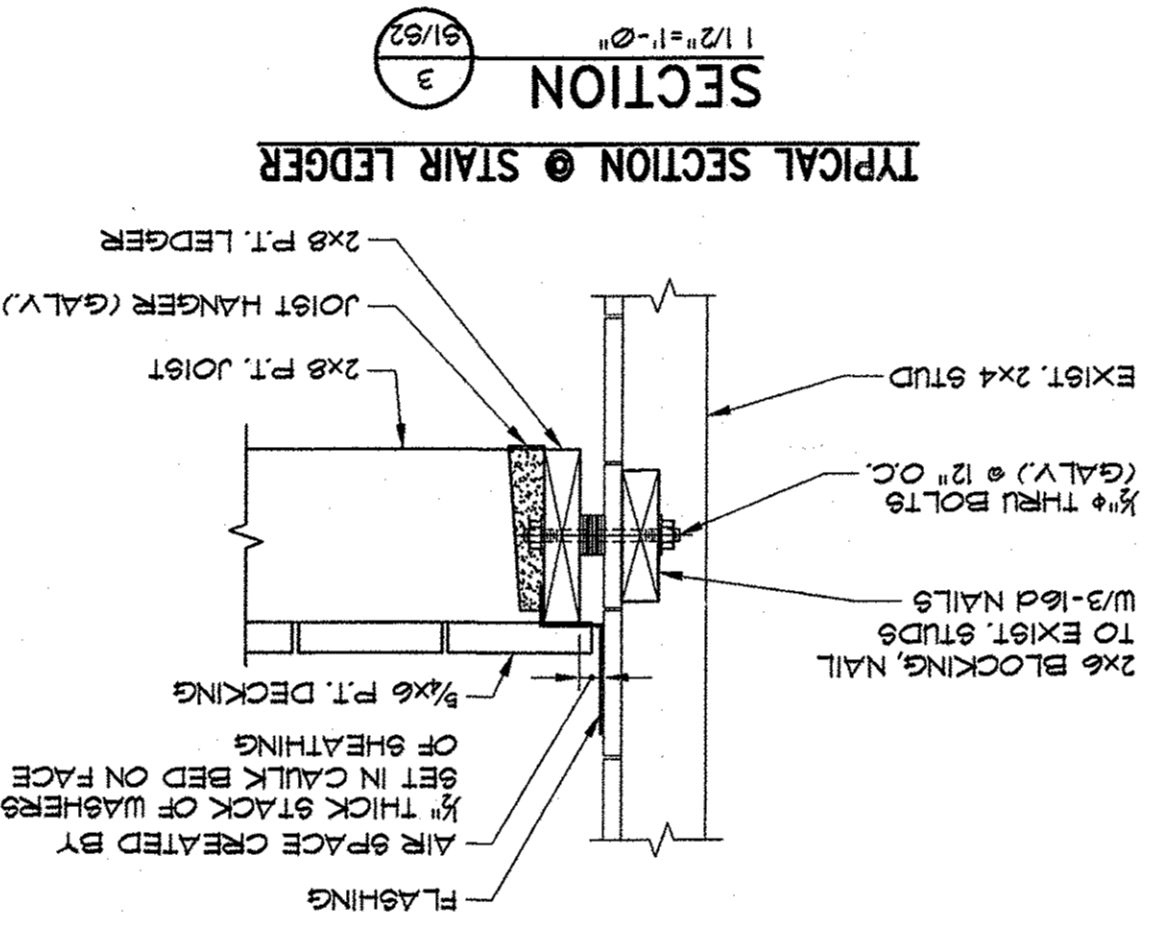
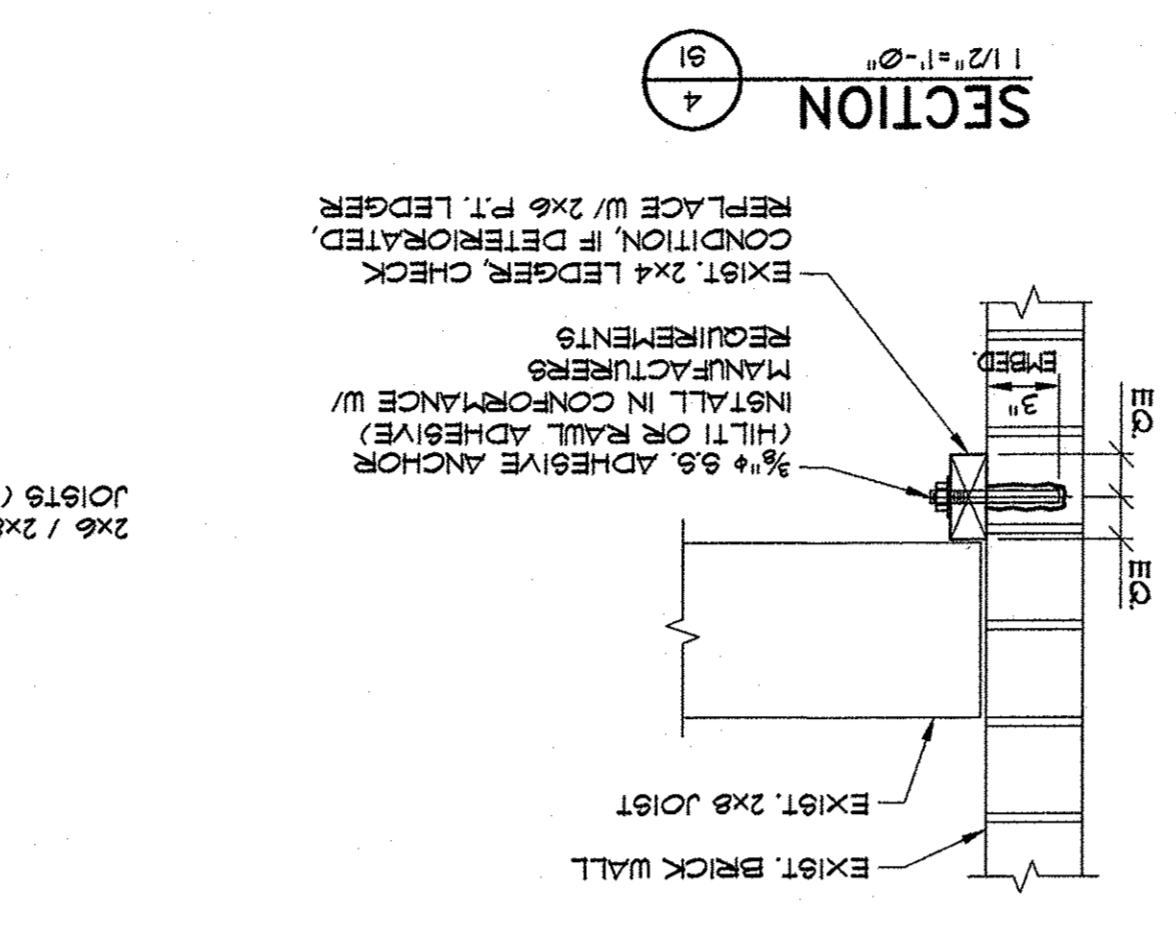
SECOND FLOOR FRAMING PLAN
1/4" = 1'-0"

- NOTES:**
1. ALL FRAMING IS EXISTING UNLESS NOTED OTHERWISE.
 2. ADD JOIST HANGERS TO ALL EXISTING FLUSH OTHERWISE.
 3. ALL NEW EXTERIOR STAIR FRAMING IS SOUTHERN-PINE PRESURE TREATED.
 4. USE 4x4 P.T. POST (BLOCK SOLID FRAMING BELOW) OR BEAM ON BRICK WALL 4" (USE P.T. 2x4 PLATE UNDER 6x6).

PINKHAM & GREER CONSULTING ENGINEERS, INC. PORTLAND, MAINE 785 CONGRESS STREET	
SCALE: AS SHOWN DATE: FEBRUARY, 2006 PROJECT: 05347	
CHK BY:	
DRN BY: RJS/MJB DESG BY: JAM III PROJECT: 05347	
BEN PALMER 785 CONGRESS STREET PORTLAND, MAINE PINKHAM & GREER CONSULTING ENGINEERS, INC. PORTLAND, MAINE 785 CONGRESS STREET SCALE: AS SHOWN DATE: FEBRUARY, 2006 PROJECT: 05347	
REV. DATE DESCRIPTION B 6/20/06 ADDED EXTERIOR EGRESS STAIRWAY	A 2/24/06 PER-116



- ROOF FRAMING PLAN**
- NOTES:**
- EXISTING KNEE WALLS.
 - ALL FRAMING IS EXISTING UNLESS NOTED OTHERWISE.
 - ADD JOIST HANGERS TO ALL EXISTING FLUSH FRAMED CONNECTIONS.
 - EXISTING RAFTER W/ 1-1/2" x 1/2" LVL OR 2-1/2" x 5/8" LVL.



<p>BEN PALMER 785 CONGRESS STREET PORTLAND, MAINE PINKHAM & GREER CONSULTING ENGINEERS, INC. PLANNING, ARCHITECTURE, ELEVATION & DETAILS</p>		<p>PROJECT: 05347 DATE: FEBRUARY, 2006 SCALE: AS SHOWN</p>	
<p>CHK BY:</p>		<p>DRN BY: RJS/MAJB DESIGN BY: JAM III</p>	
<p>REV. DATE DESCRIPTION</p>		<p>STATE OF MAINE LICENSED PROFESSIONAL ENGINEER JAMES A. MORAN III NO. 4587</p>	
<p>B 6/30/06 ADDED SECTION 4 DETAILS</p>		<p>A 1/24/06 PERMITS</p>	

