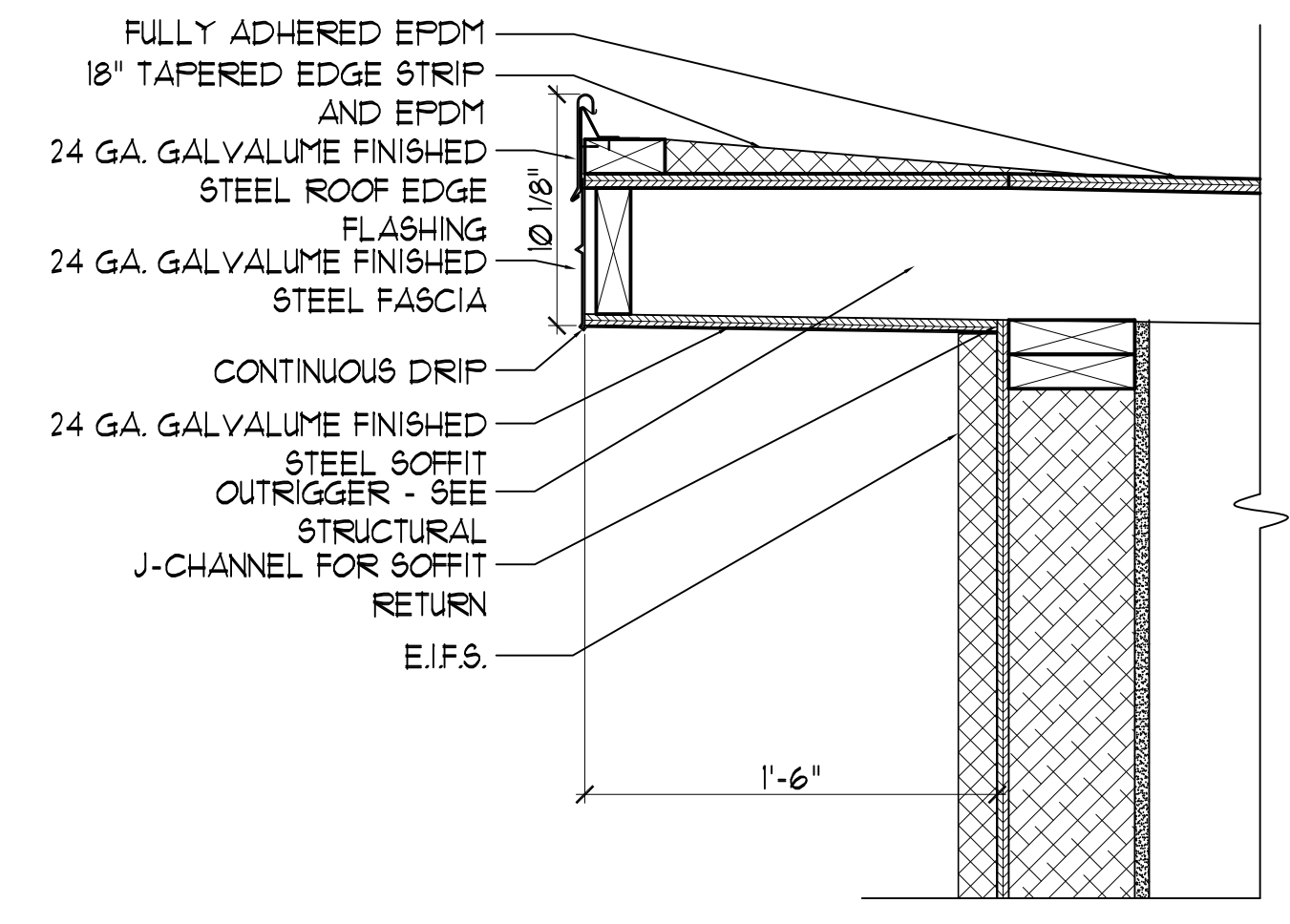
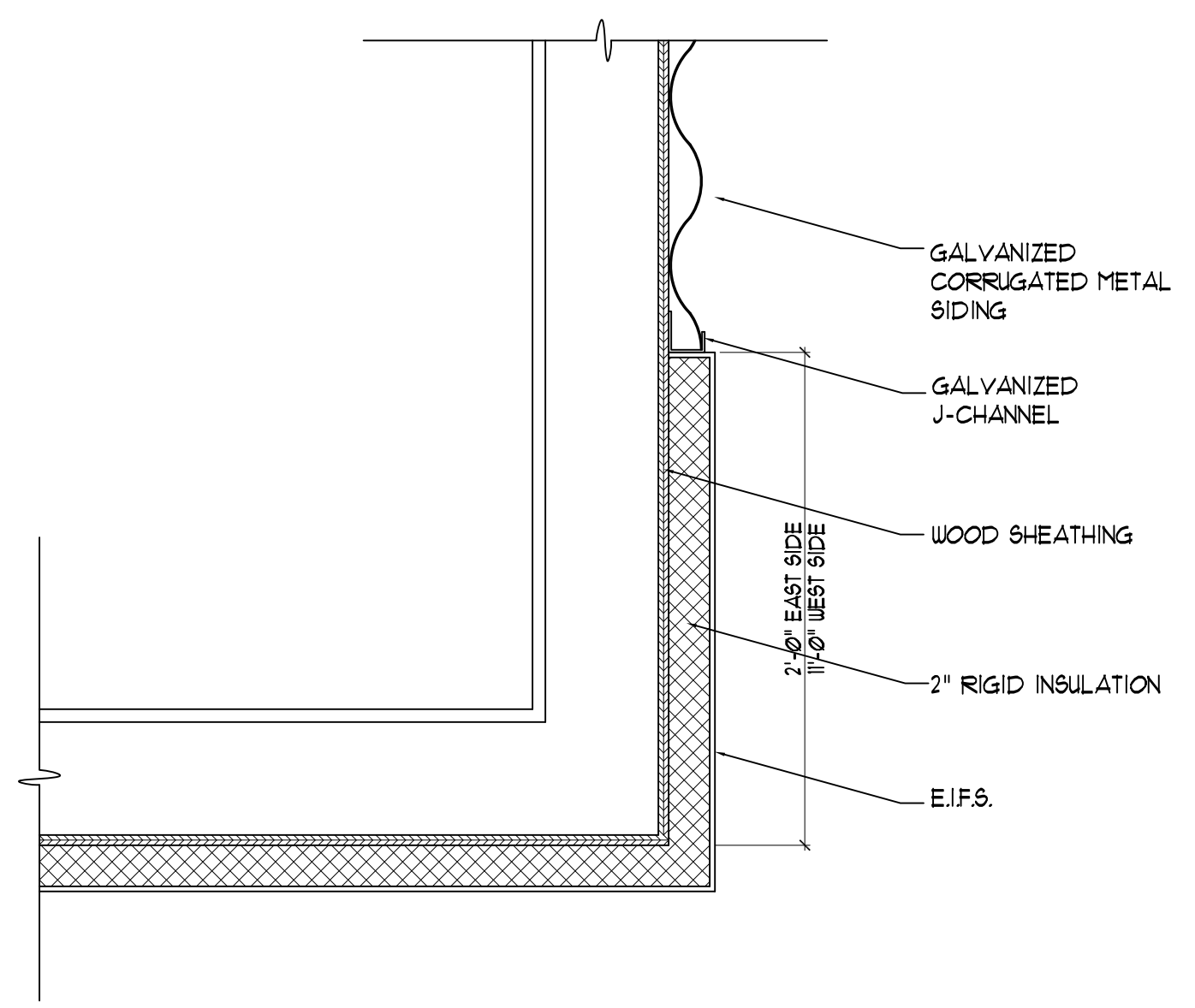


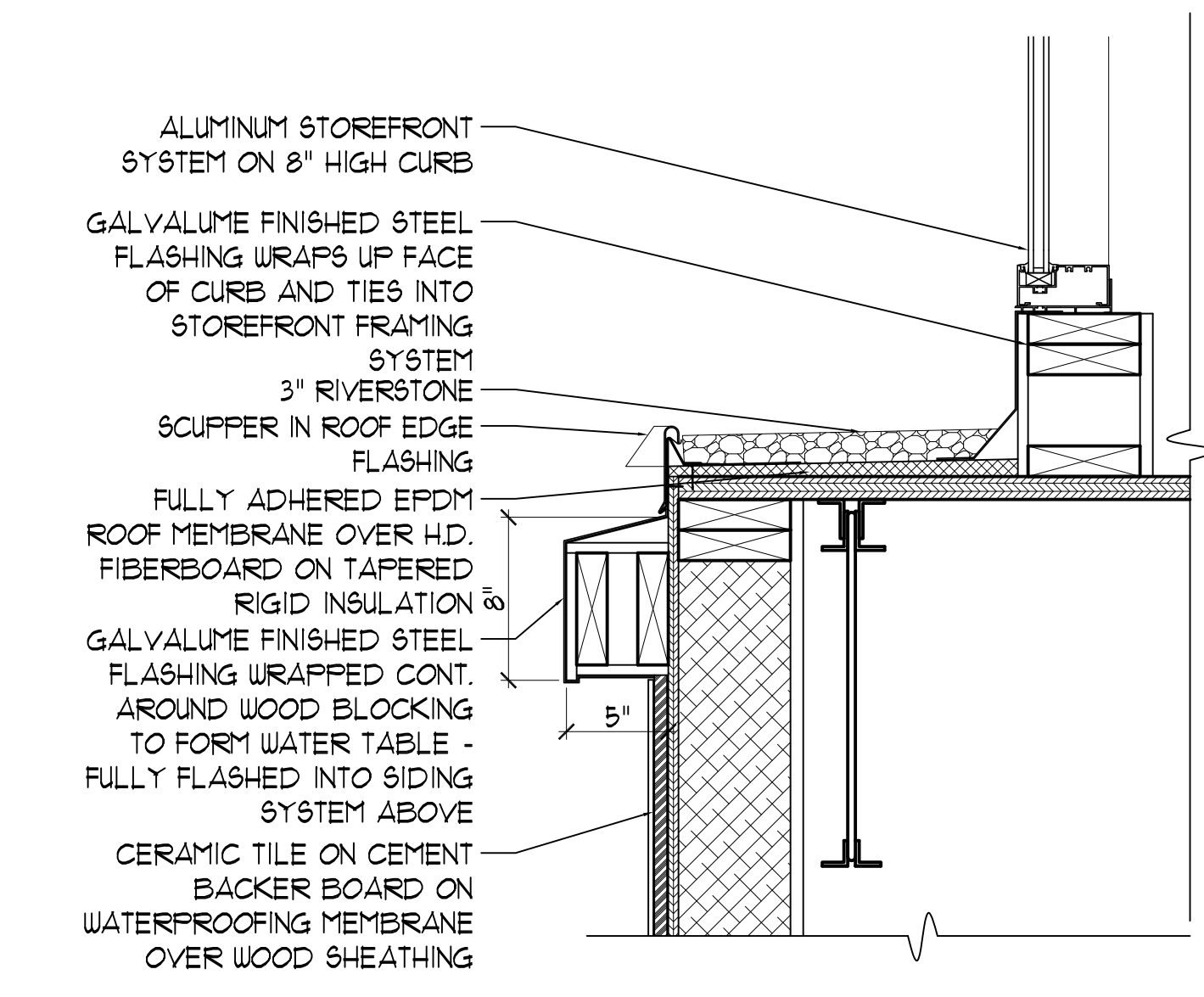
**04** FIRST FLOOR - CORNER PLAN DETAIL  
SCALE: 1 1/2" = 1'-0"



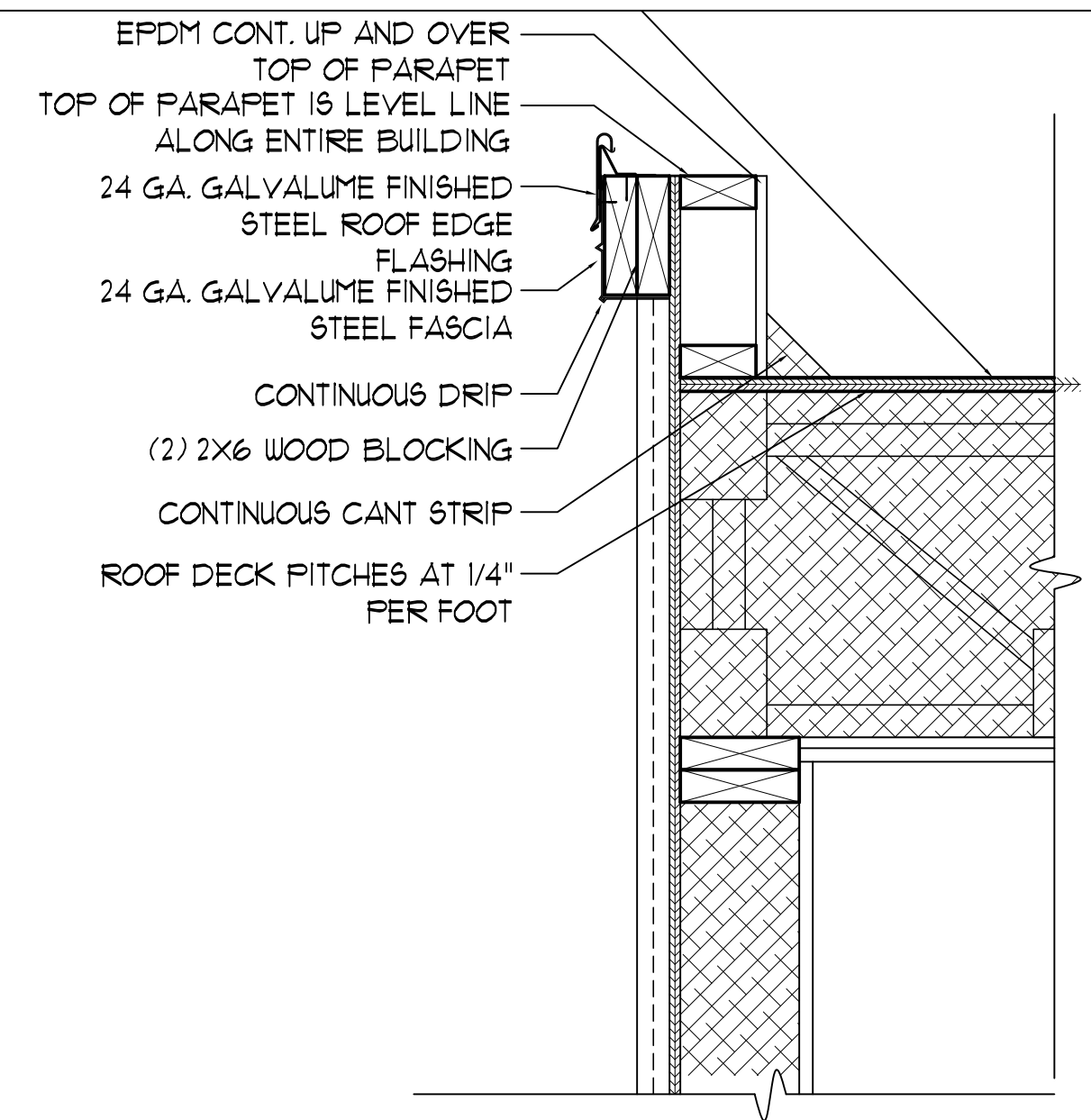
**01** TYPICAL ROOF EAVE DETAIL  
SCALE: 1 1/2" = 1'-0"



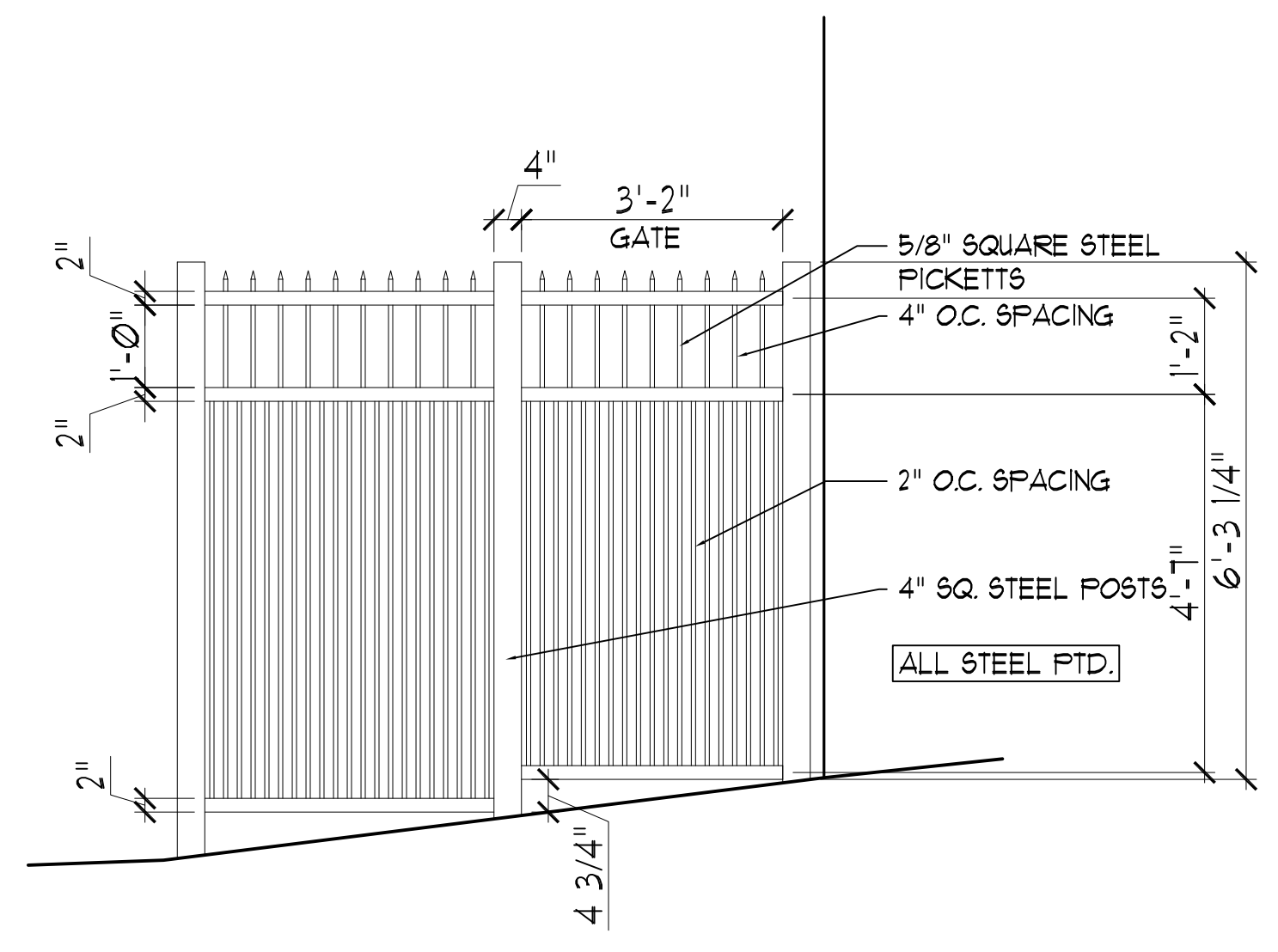
**05** SECOND FLOOR - CORNER PLAN DETAIL  
SCALE: 1 1/2" = 1'-0"



**2** TYPICAL WATER TABLE DETAIL  
SCALE: 1 1/2" = 1'-0"



**06** PARAPET DETAIL - TYPICAL  
SCALE: 1 1/2" = 1'-0"



**03** FENCE DETAIL  
SCALE: 1/2" = 1'-0"

Prepared For:  
**RANDOM ORBIT, LLC**  
17 Chestnut St  
Portland, ME

Consulting Engineer:  
**ARCHETYPE architects**  
48 Union Wharf Portland, Maine 04101  
(207) 772-6022 Fax (207) 772-4056

Project:  
**PELONET BUILDING**  
BRAMHALL SQUARE  
PORTLAND, ME

Revisions:  
Issued for Permit 23 July 2010

Date: 23 July 2010  
Scale: VARIES

**A5.01**

DETAILS