

Prepared For:
RANDOM ORBIT, LLC
 17 Chestnut St
 Portland, ME

Consulting Engineer:
STRUCTURAL DESIGN CONSULTING
 22 Calhoun Circle
 Old Orchard Beach, ME 04064-1121
 Tel: 207.934.8038
 Fax: 207.934.8039

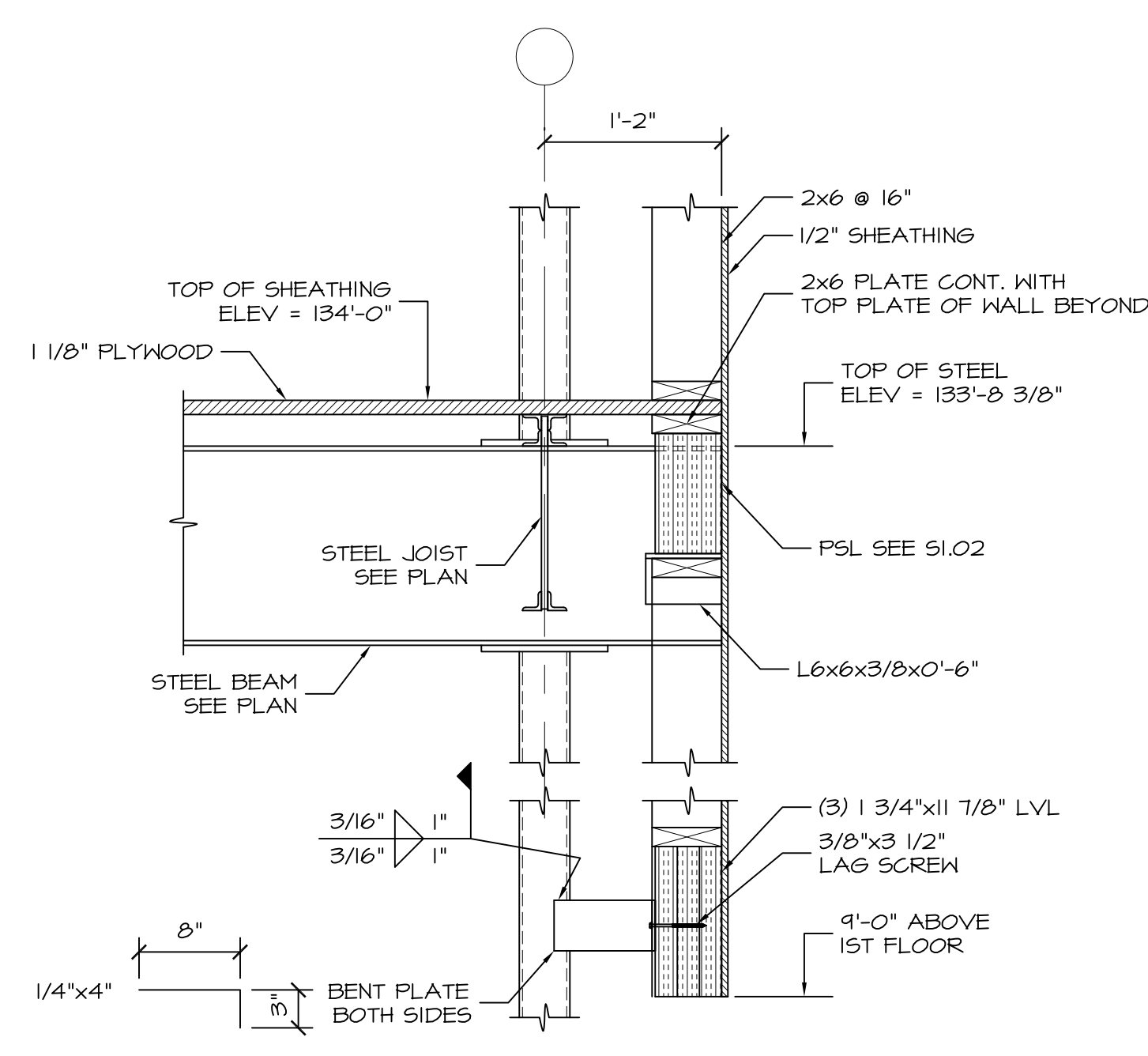
Architect:
ARCHETYPE architects
 48 Union Wharf Portland, Maine 04101
 (207) 772-6022 Fax (207) 772-4056

Project:
PELOTON BUILDING
 BRAMHALL SQUARE
 PORTLAND, ME

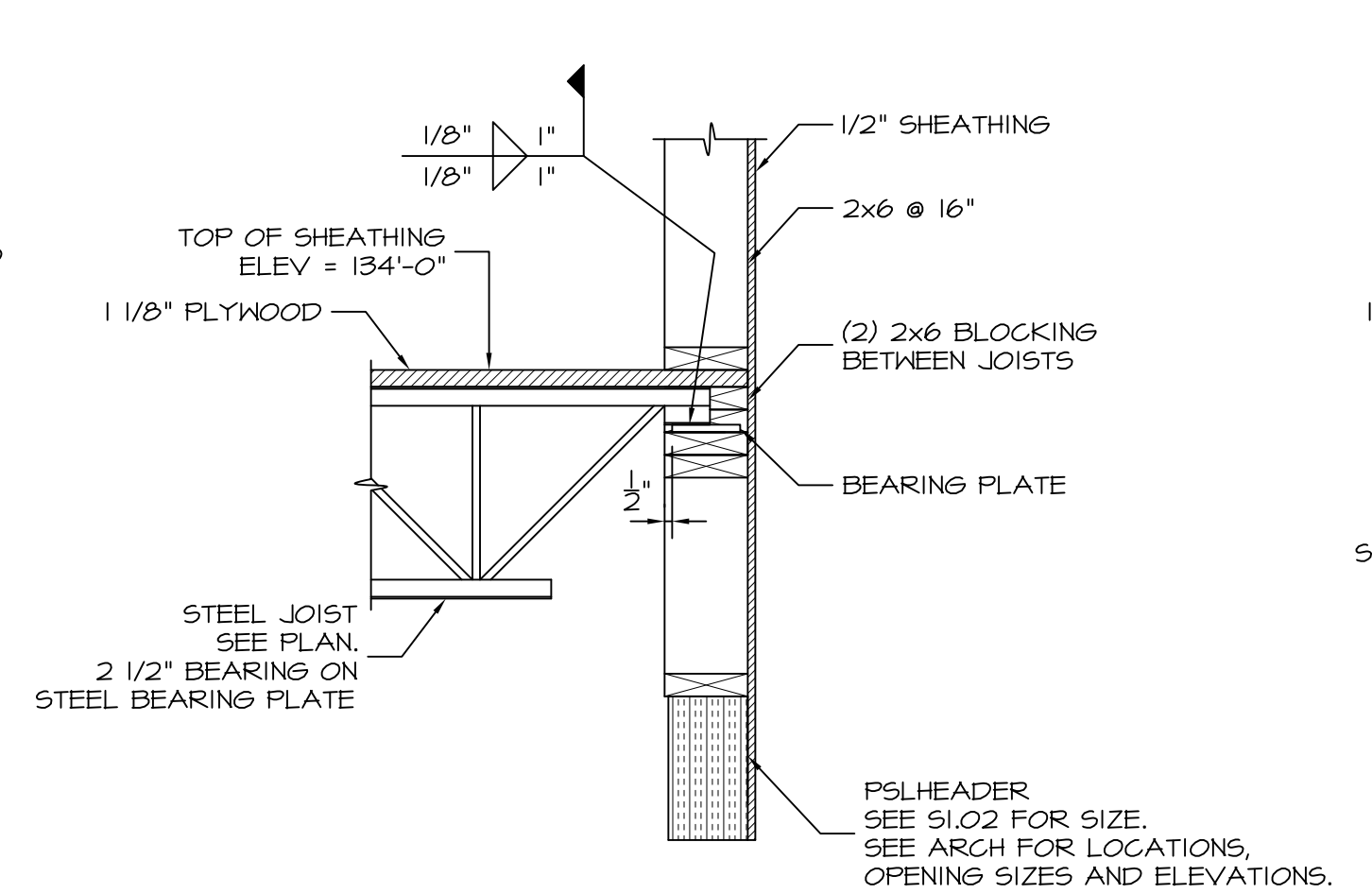
Revisions:

Scale: As Noted
 Date:

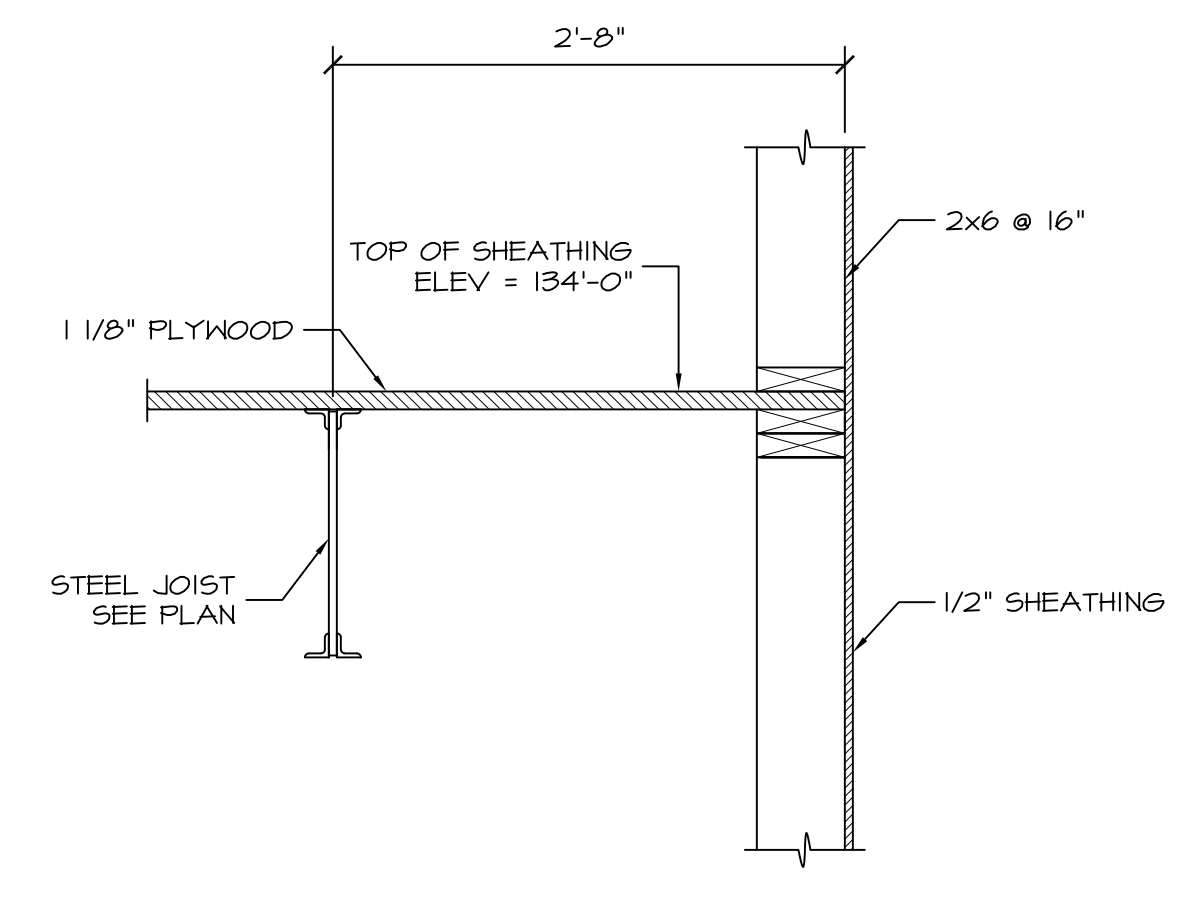
FRAMING SECTIONS
S2.02



SECTION 1
 1"=1'-0" S1.02
 OMIT BENT PLATE CONNECTION AT SIM.
 SEE PLAN FOR LOWER COL LOCATION AT SIM.

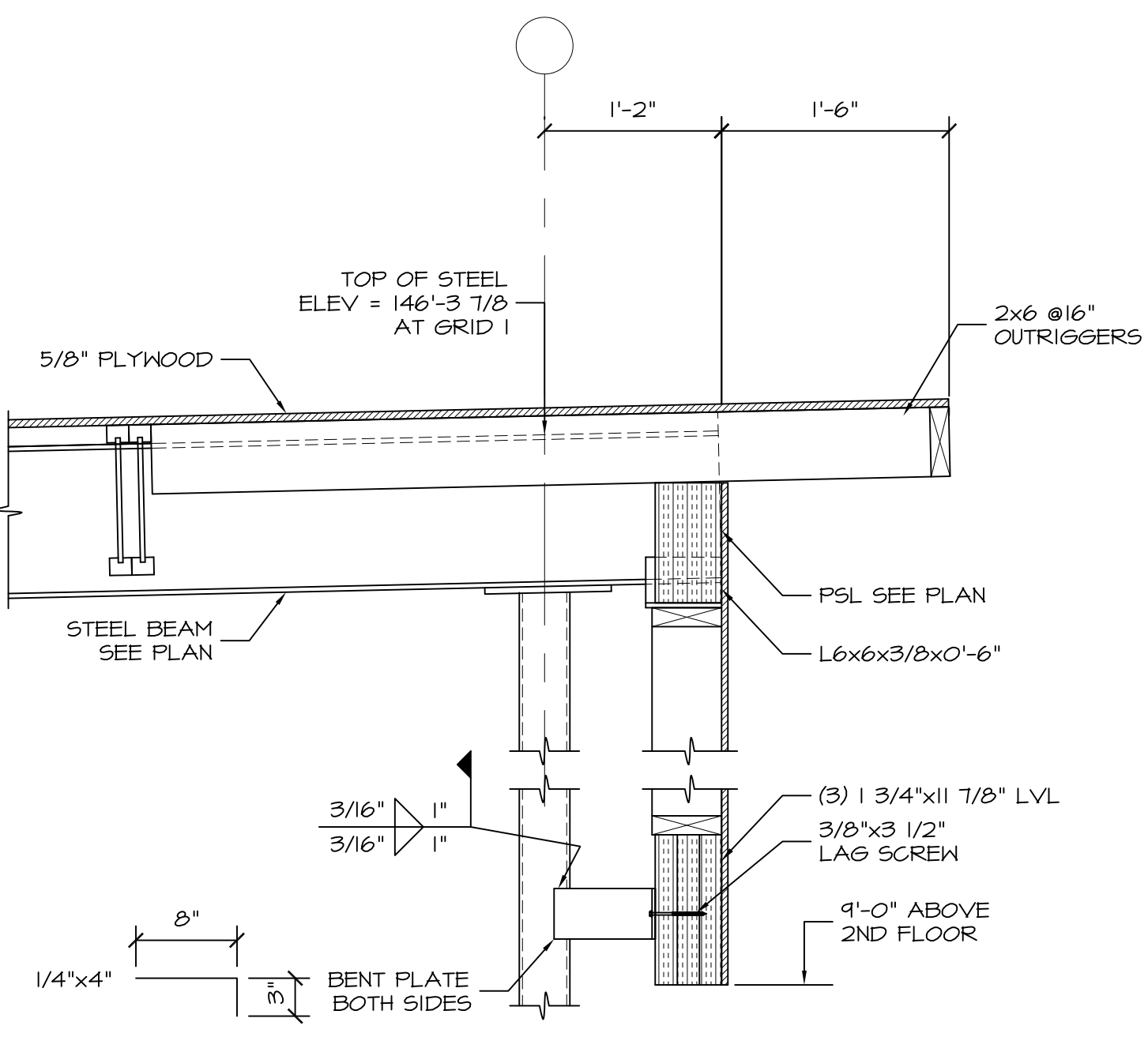
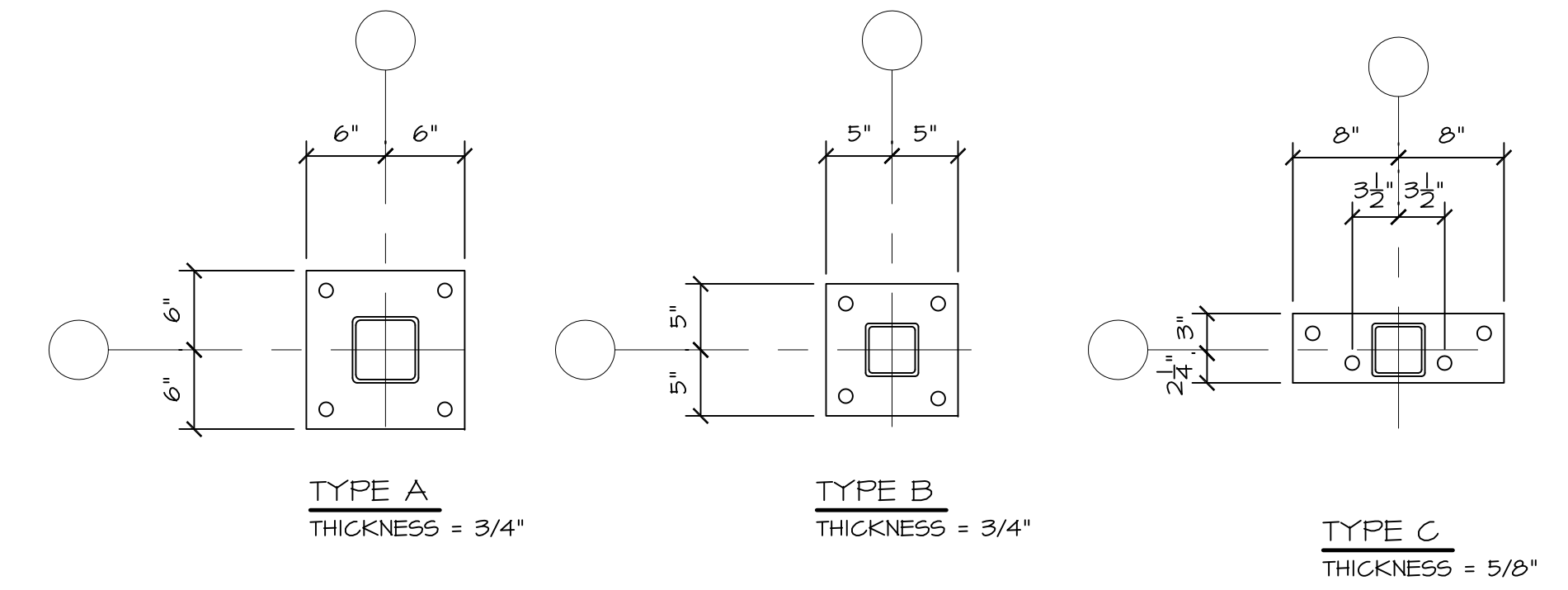


SECTION 2
 1"=1'-0" S1.02

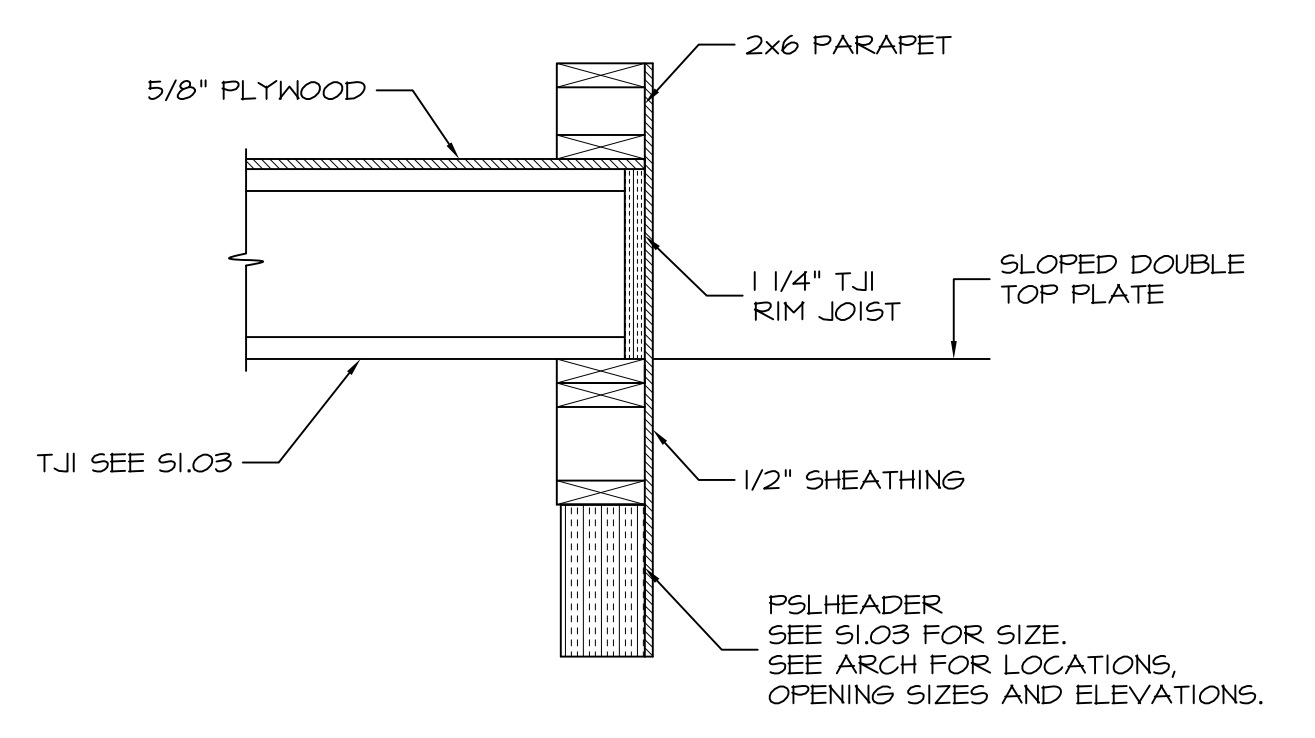


SECTION 3
 1"=1'-0" S1.02

COLUMN SCHEDULE				
COLUMN MARK	SIZE	BOT. OF BASE PL ELEV.	BASE PL TYPE	TOP OF COL ELEV.
A-1	H554x4x0.25	133'-8 3/8"	PL 1/2"x6 1/2"x0'-10"	145'-0 1/8"
A-1.4	H555x5x0.25	120'-1"	A	132'-4 1/2"
A-3.2	H555x5x0.25	119'-7"	A	145'-8 3/8"
B-1 LOWER	H554x4x0.25	120'-1"	PL 1/2"x5"x0'-10"	132'-4 5/8"
B-1 UPPER	H554x4x0.25	133'-8 3/8"	B	145'-3 7/8"
B-2	H555x5x0.25	119'-7"	A	146'-1"
B-3	H555x5x0.25	119'-7"	A	145'-8 3/4"
B-4	H554x4x0.25	120'-1"	C	145'-3 7/8"

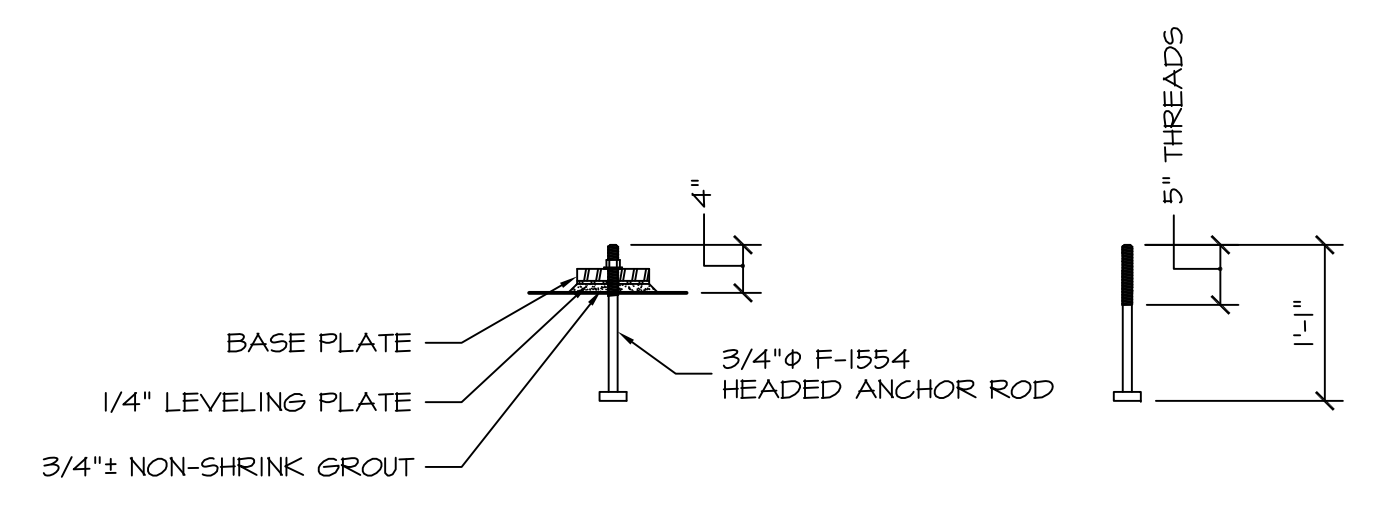


SECTION 4
 1"=1'-0" S1.03

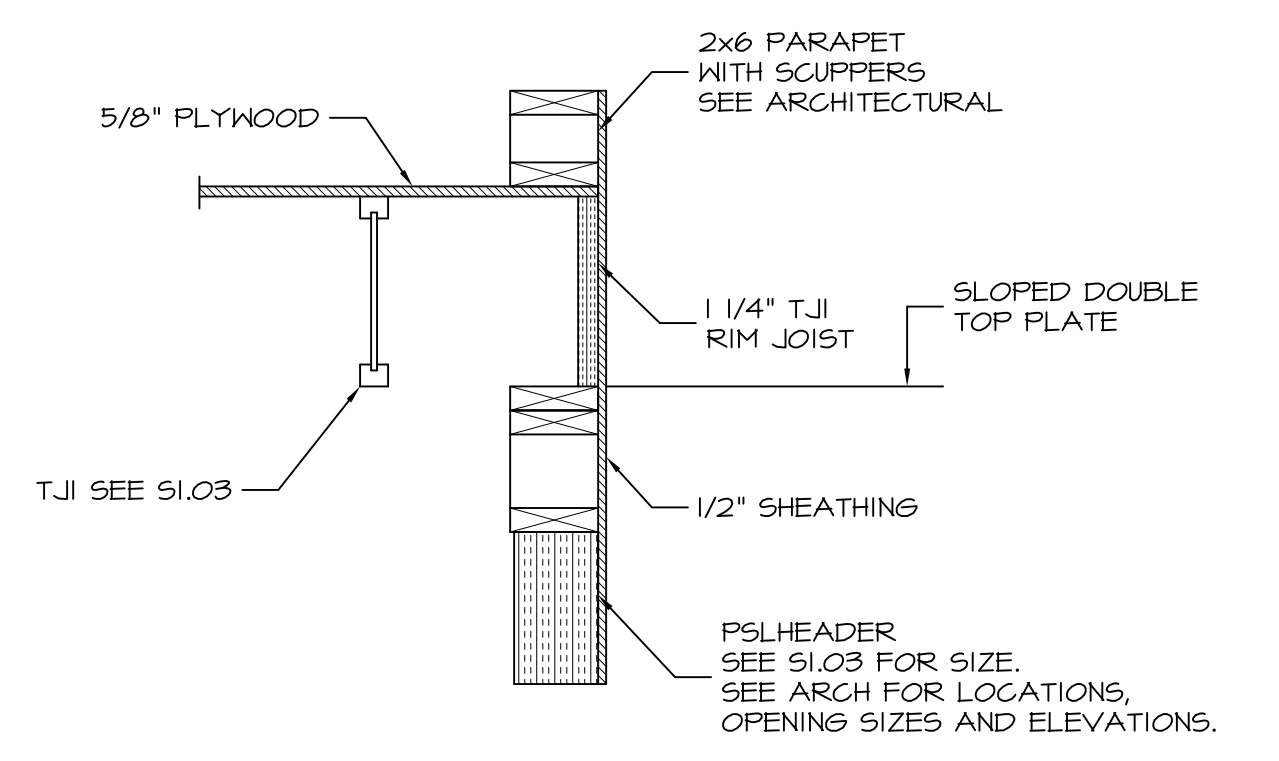


SECTION 5
 1"=1'-0" S1.03

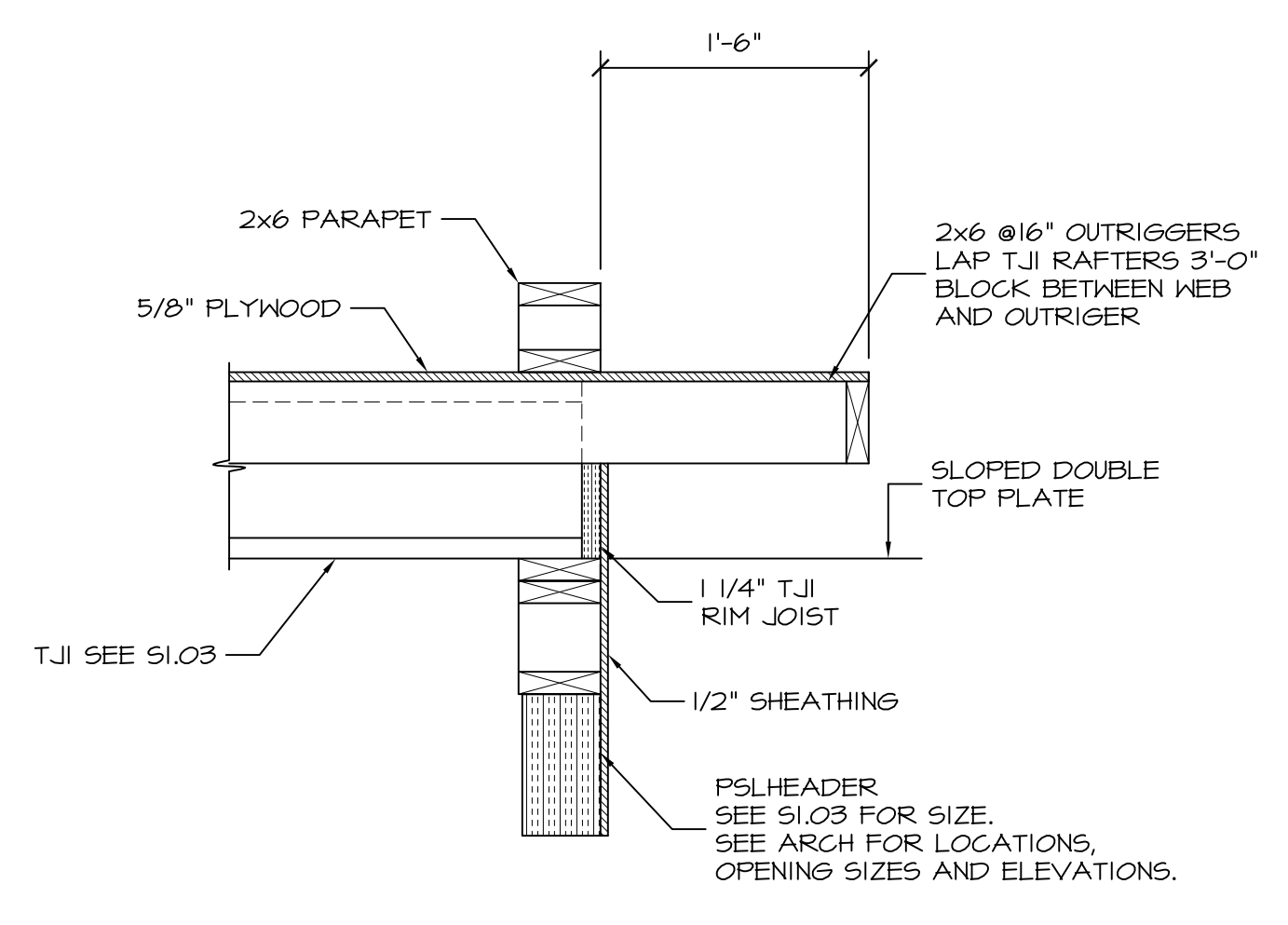
BASE PLATE DETAILS
 1"=1'-0"
 HOLE DIAMETER = 1 1/16"
 HOLE EDGE DISTANCE = 1 1/2" UNLESS NOTED.



TYPICAL ANCHOR ROD DETAILS
 3/4"=1'-0"



SECTION 6
 1"=1'-0" S1.03



SECTION 7
 1"=1'-0" S1.03