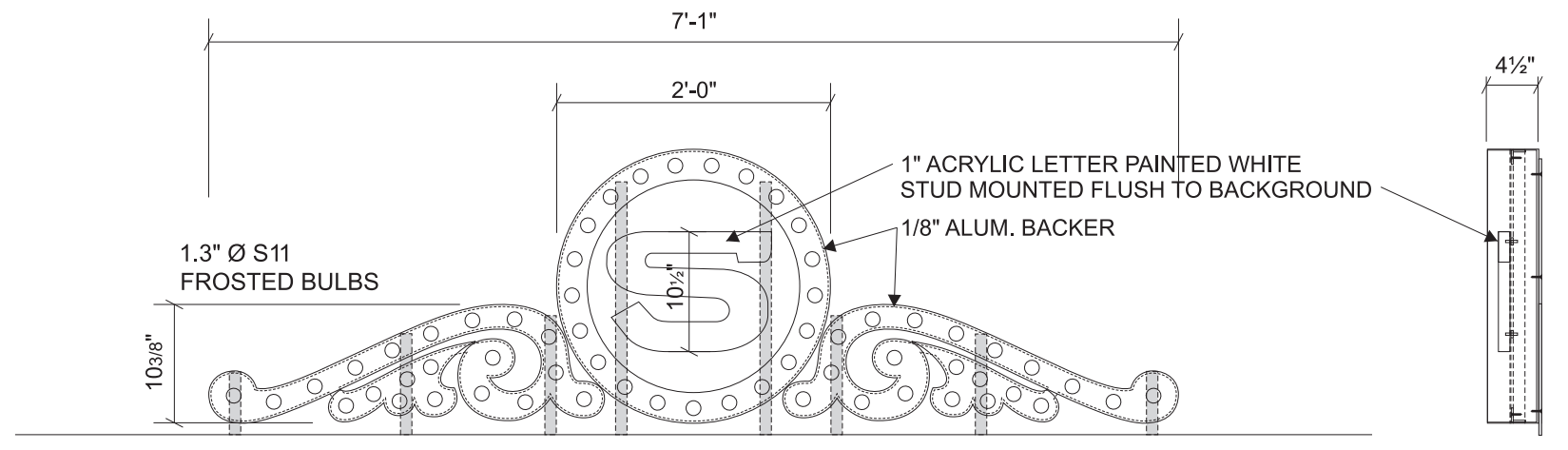
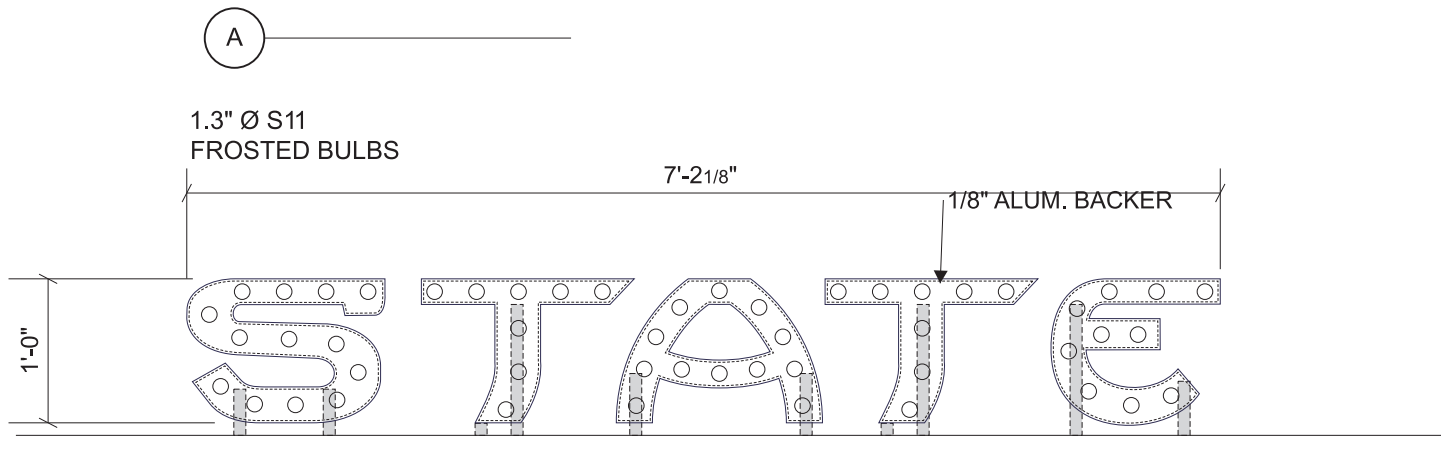


METAL LIGHTED MARQUEE LETTERS AND SCROLL: EXTERIOR FACE FACES TO BE PAINTED BLACK, ILLUMINATED INTERIOR FACES TO BE PAINTED WHITE, TYP. GAUGE AND ANCHORING METHOD TO BE DETERMINED BY SIGN FABRICATOR.

BULB SPACING SHOWN IS APPROXIMATE AVERAGE, LIGHTS ARE TO BE CENTERED WITHIN LETTER FRAME AND EVENLY SPACED, TYP.

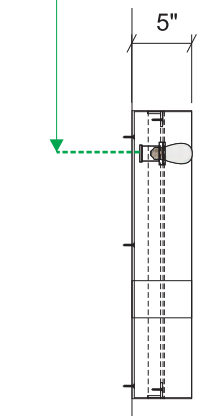


ACRYLIC LETTER
SCALE: 3/4"=1'-0"

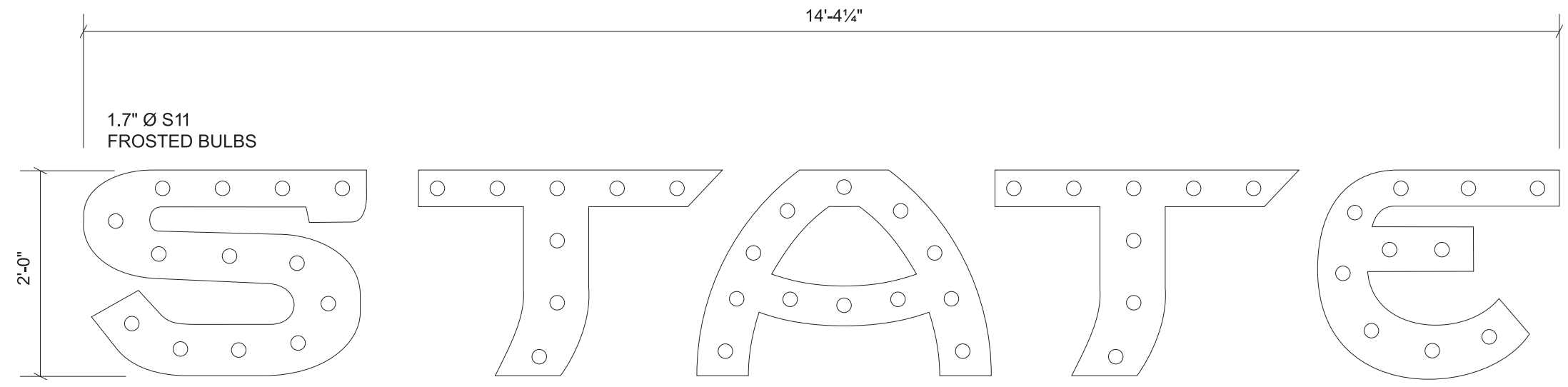


B

ELECTRICAL LOCATION (TBD)
SECONDARY WIRING TO BULBS FROM 'LED' POWER SUPPLIES



FACE LETTERS MOUNTING DETAIL
SCALE: 3/4"=1'-0"



C

8 ILLUMINATED METAL SIGN DETAILS
SCALE: 3/4" = 1'-0"

PERMIT DRAWING

STATE THEATER
3184.2

LOCATION:	609 CONGRESS STREET
	PORTLAND, MAINE
DRAWING NO.:	4 OF 5
DRAWN BY:	PFAT/BK REP:PB
DATE:	06.19.2017
QUOTE:	@1824
GEN REF.:	

NEOKRAFT
SIGNS

NEOKRAFT SIGNS INC. NEOKRAFT.COM
686 MAIN STREET T:207.782.9654 F:782.0009
LEWISTON, MAINE 04240 1.800.339.2258

© COPYRIGHT 2016, BY NEOKRAFT SIGNS, INC.