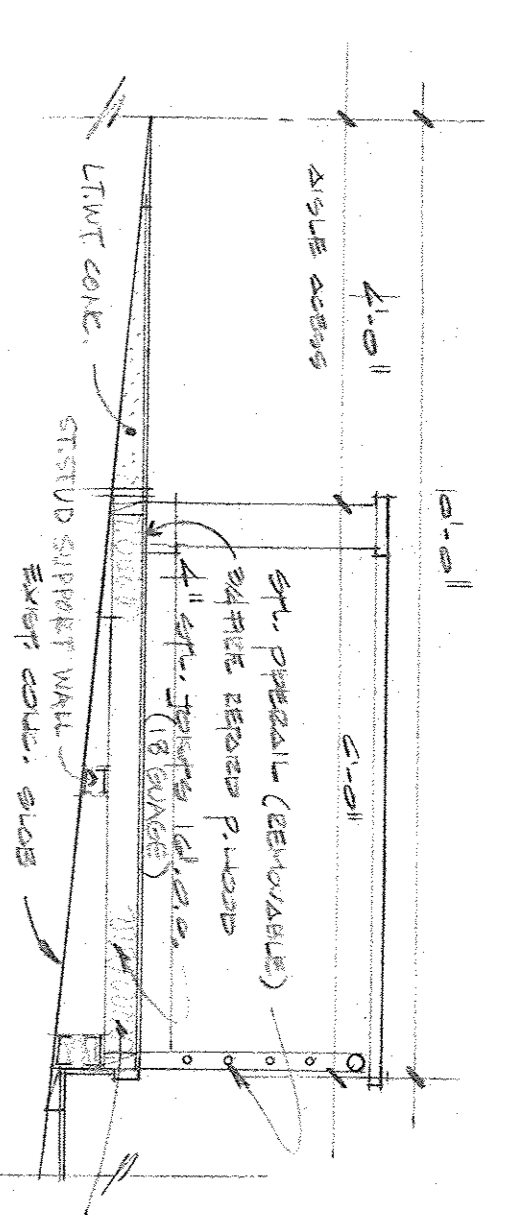
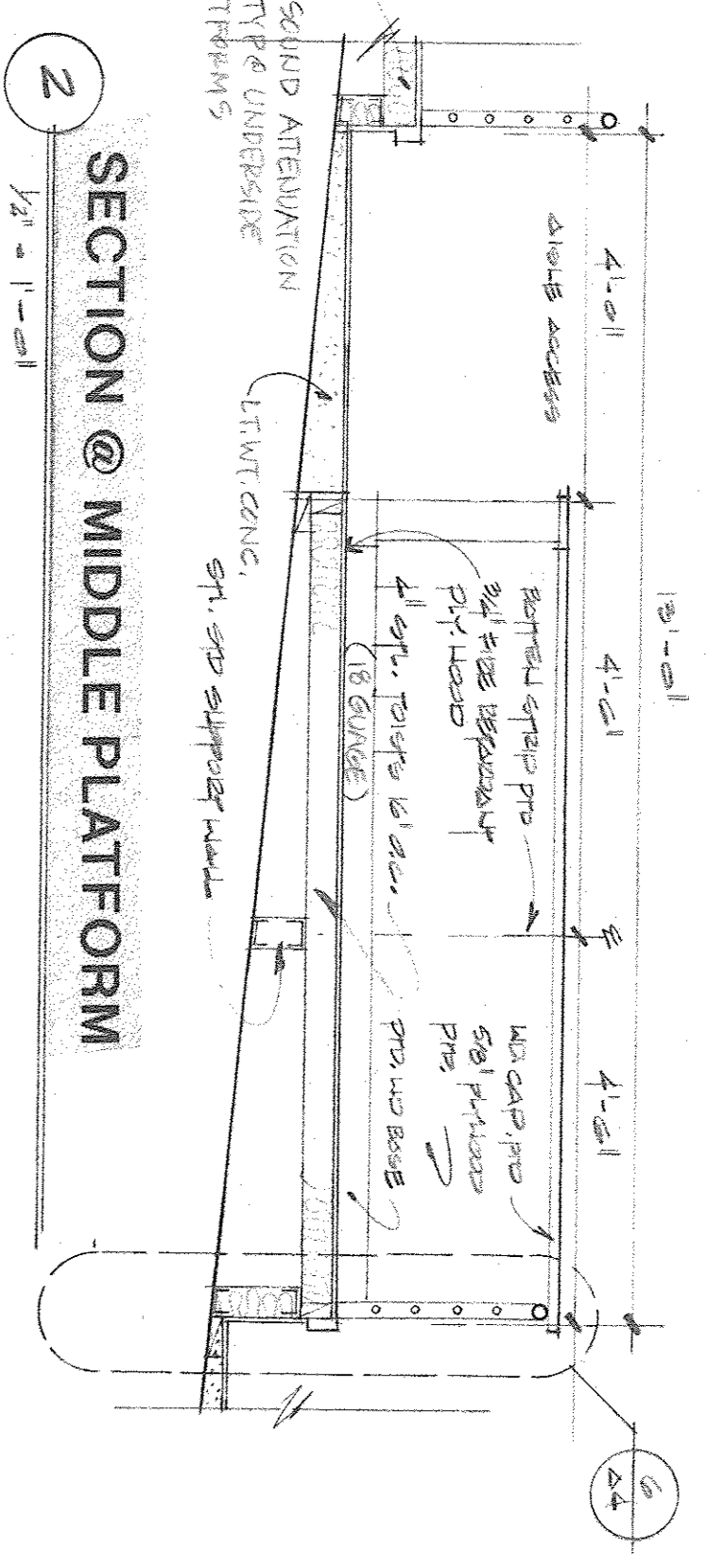


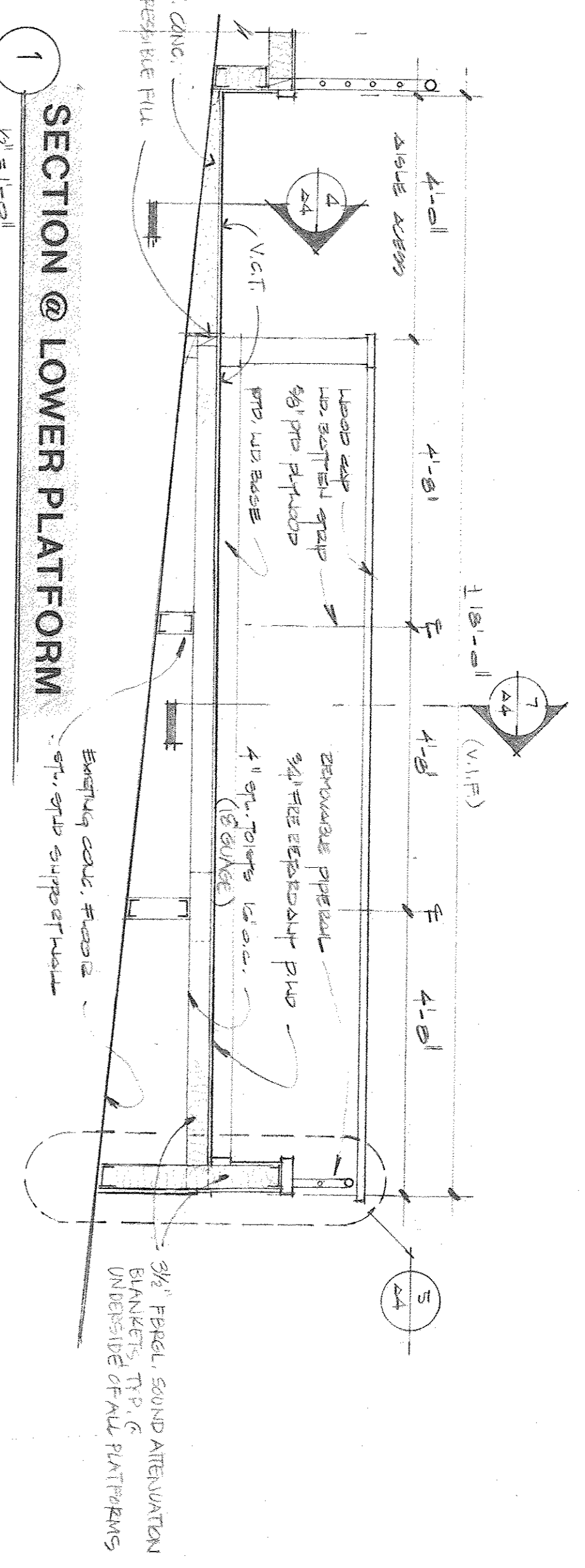
4 ELEVATION @ RAMP  
1/2" = 1'-0"



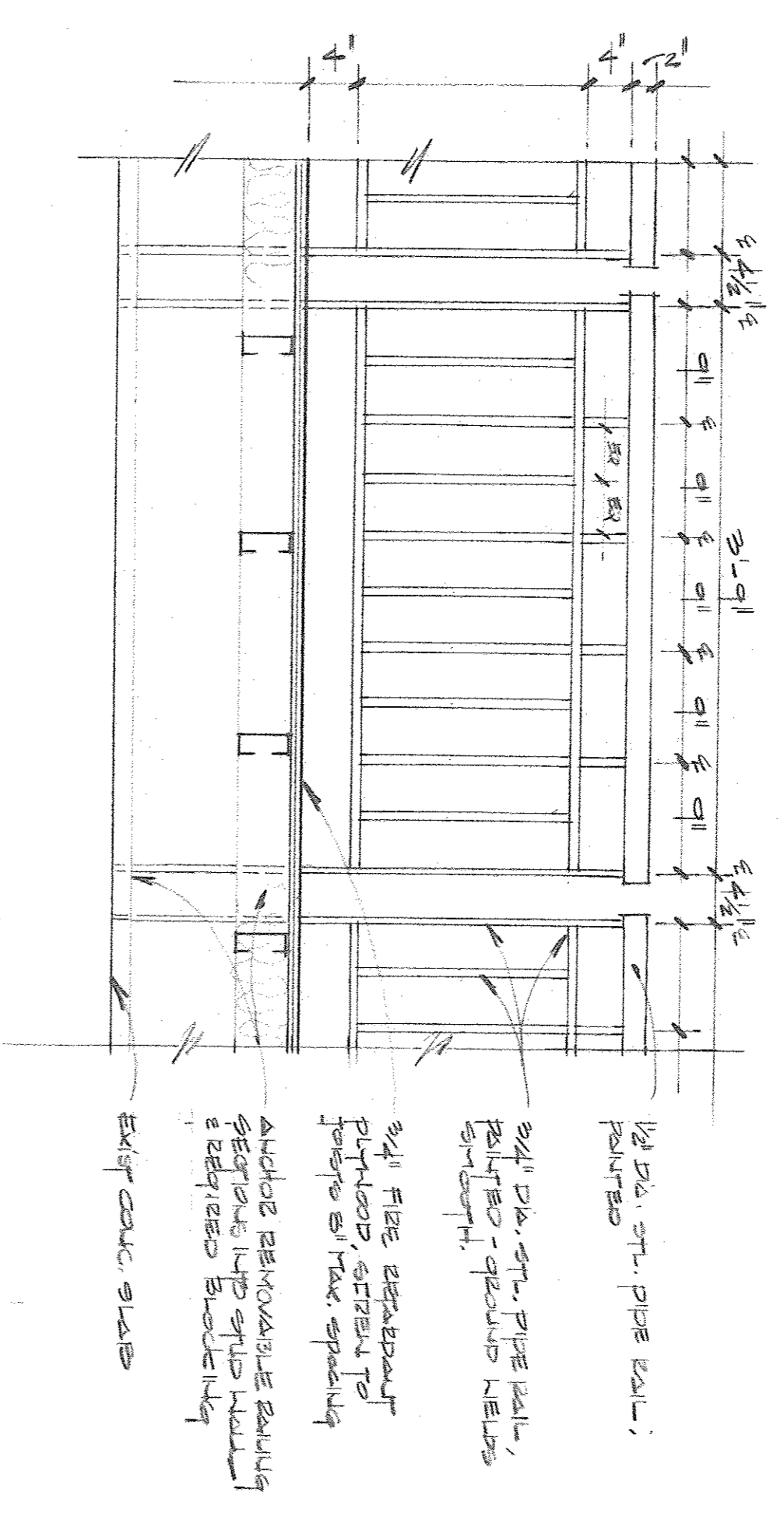
3 SECTION @ UPPER PLATFORM  
1/2" = 1'-0"



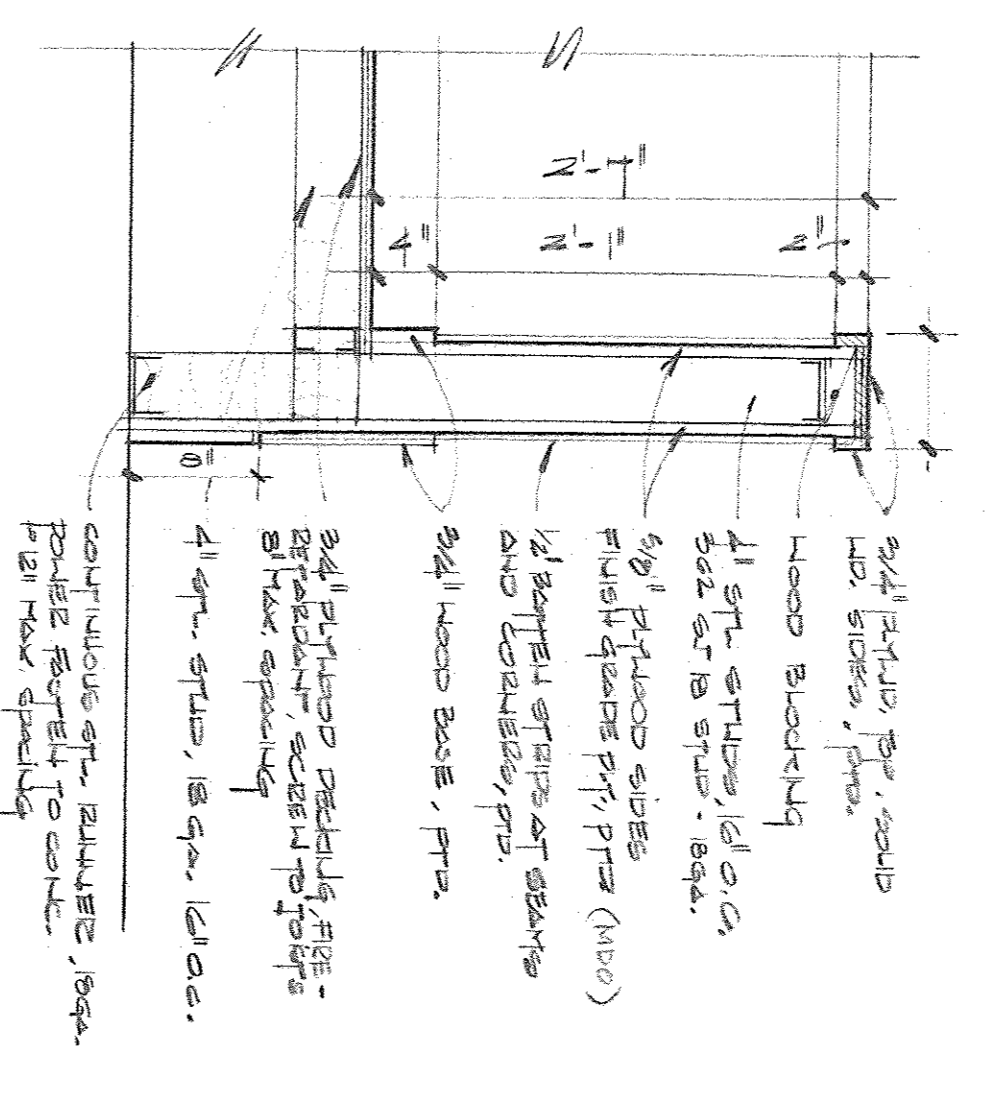
2 SECTION @ MIDDLE PLATFORM  
1/2" = 1'-0"



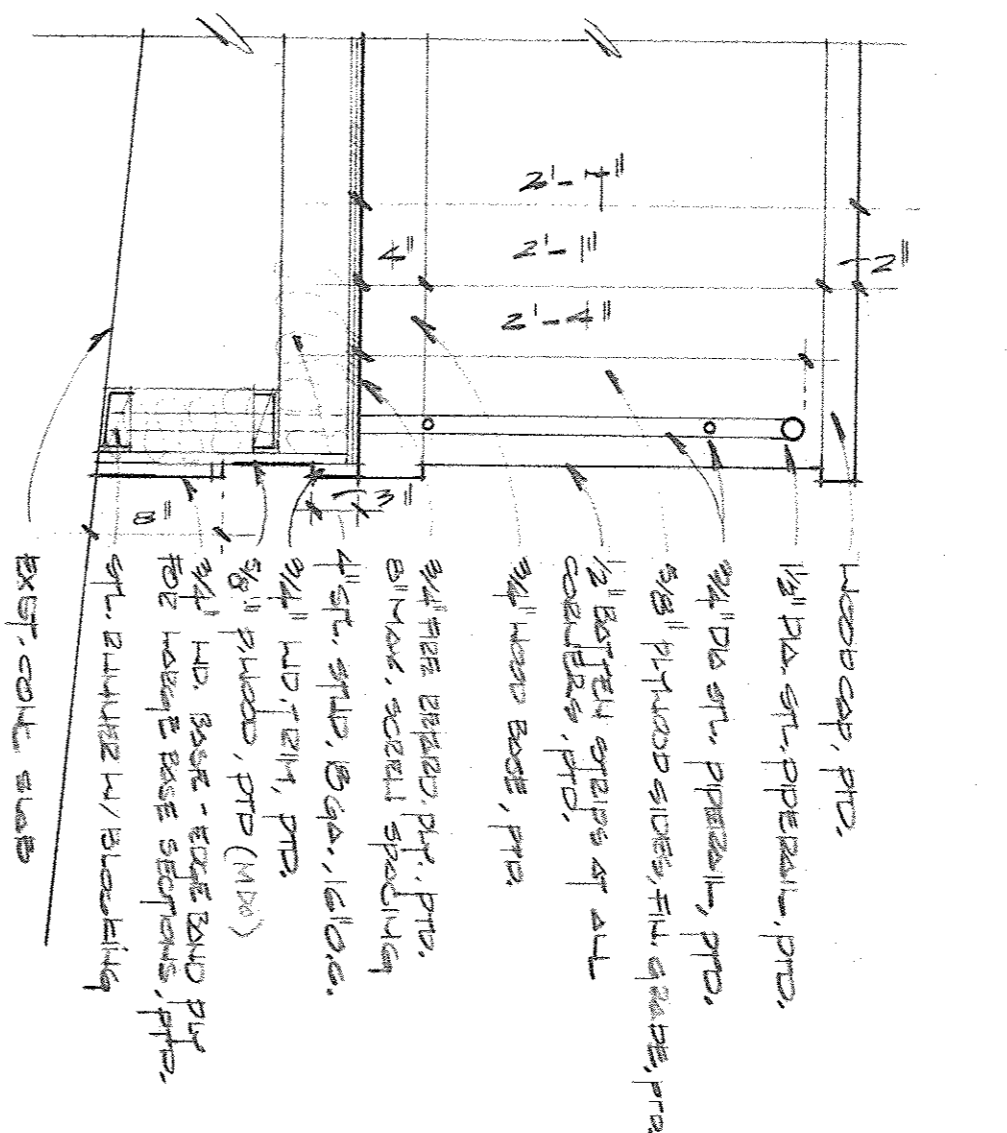
1 SECTION @ LOWER PLATFORM  
1/2" = 1'-0"



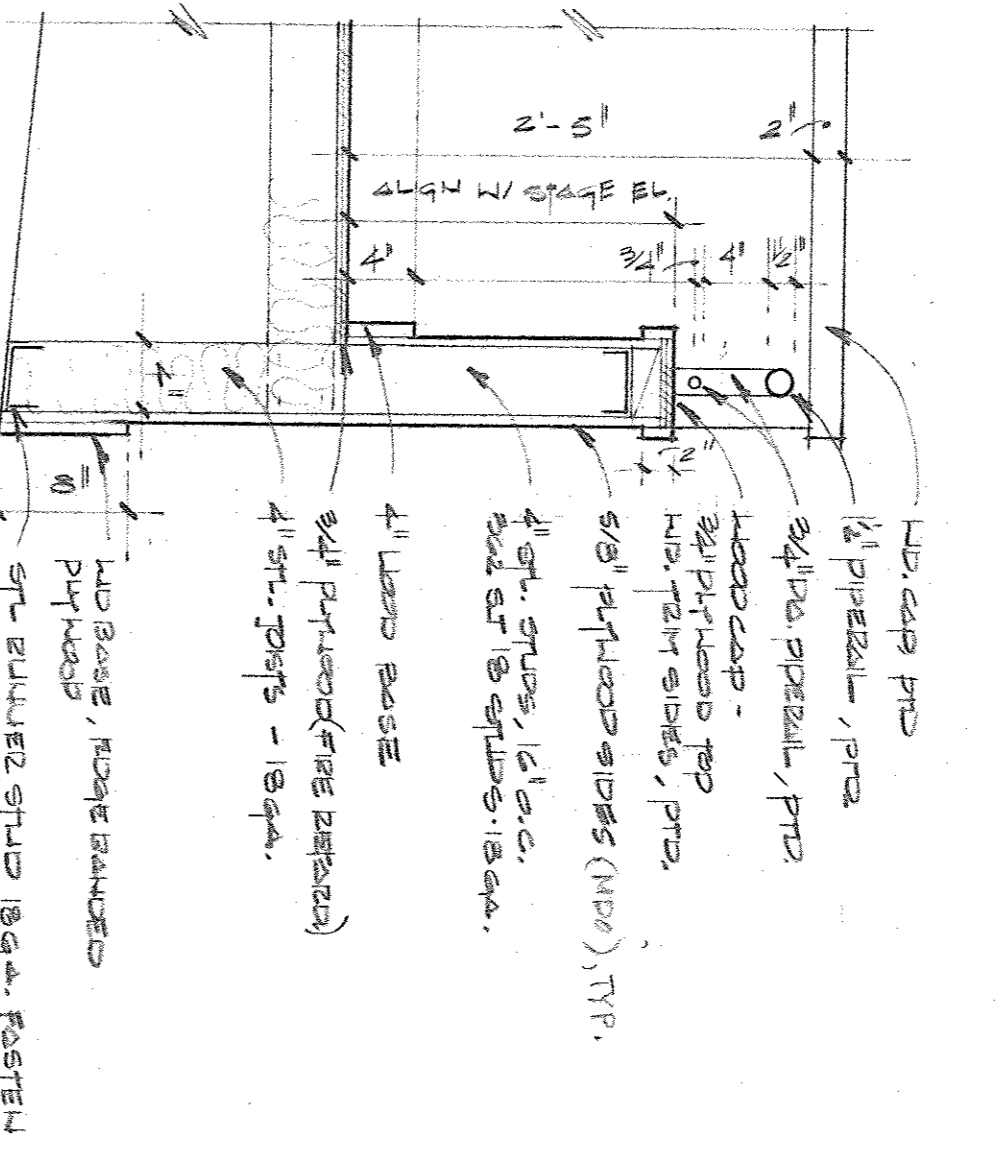
8 ELEVATION @ TYPICAL RAILING SECTION  
1/2" = 1'-0"



7 SECTION @ LOW WALL  
1/2" = 1'-0"



6 SECTION @ RAILING  
1/2" = 1'-0"



5 SECTION @ FRONT RAILING  
1/2" = 1'-0"

**ORCUTT SIMONS, P.A.**  
Planning / Architecture / Landscape Architecture  
Urban Design / Transportation Planning / Civil Engineering  
Environmental Services / Interior Design / Graphic Design  
100 Commercial Street, Suite 410, Portland, Maine 04101  
207.772.8173 Fax 207.879.0773

**STATE THEATER  
RENOVATIONS**

**ENLARGED PLANS  
SECTIONS DETAILS**

Scale: 1/2" = 1'-0"  
Date: 2/17/13  
Drawn By: H.L.L.  
Checked By: S.P.S.  
Approved By: [Signature]  
Project No.: 950001

DWG. NO. **A-4**