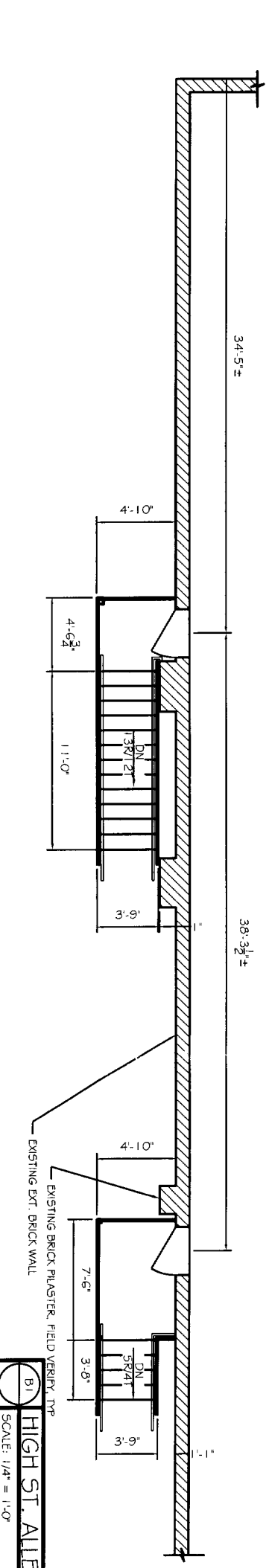
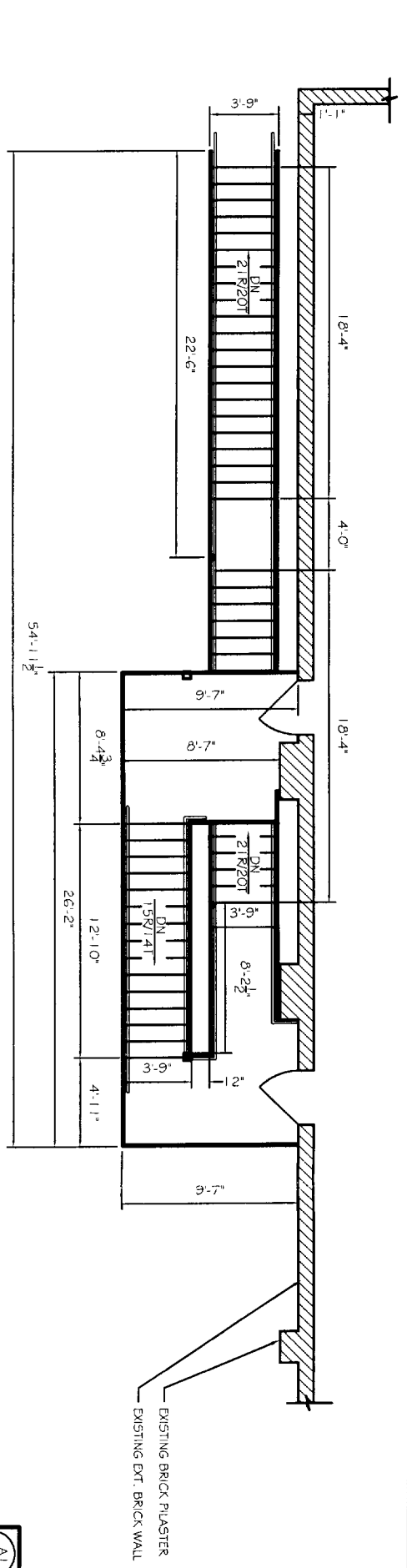


C1 HIGH ST. ALLEY EXTERIOR STAIR ELEVATION  
SCALE: 1/4" = 1'-0"



B1 HIGH ST. ALLEY EXTERIOR STAIR PLAN - LOWER LEVEL  
SCALE: 1/4" = 1'-0"



A1 HIGH ST. ALLEY EXTERIOR STAIR PLAN - UPPER LEVEL  
SCALE: 1/4" = 1'-0"

ALL STAIRS AT HIGH STREET ALLEY TO HAVE MIN. 11" TREAD AND MAX. 7" RISE

EXISTING BRICK PLASTER  
EXISTING EXT. BRICK WALL

EXISTING BRICK PLASTER, FIELD VERIFY, TYP  
EXISTING EXT. BRICK WALL

HSS COL.  
CONC. PIER  
CONC. FTG.

EXG. LOADING DOCK

No.	BY	DESCRIPTION	DATE
1	ASW	ISSUED FOR PERMITS	3/4/08
2	ASW	ISSUED FOR FIRE DEPARTMENT REVIEW	4/7/08
3	ASW	ISSUED FOR PERMITS	

PROJECT: **STATE THEATER**  
600 CONGRESS ST, PORTLAND ME  
FOR GRANT WILSON

SHEET TITLE:  
**REPLACEMENT FIRE ESCAPE  
PLANS AND ELEVATIONS**

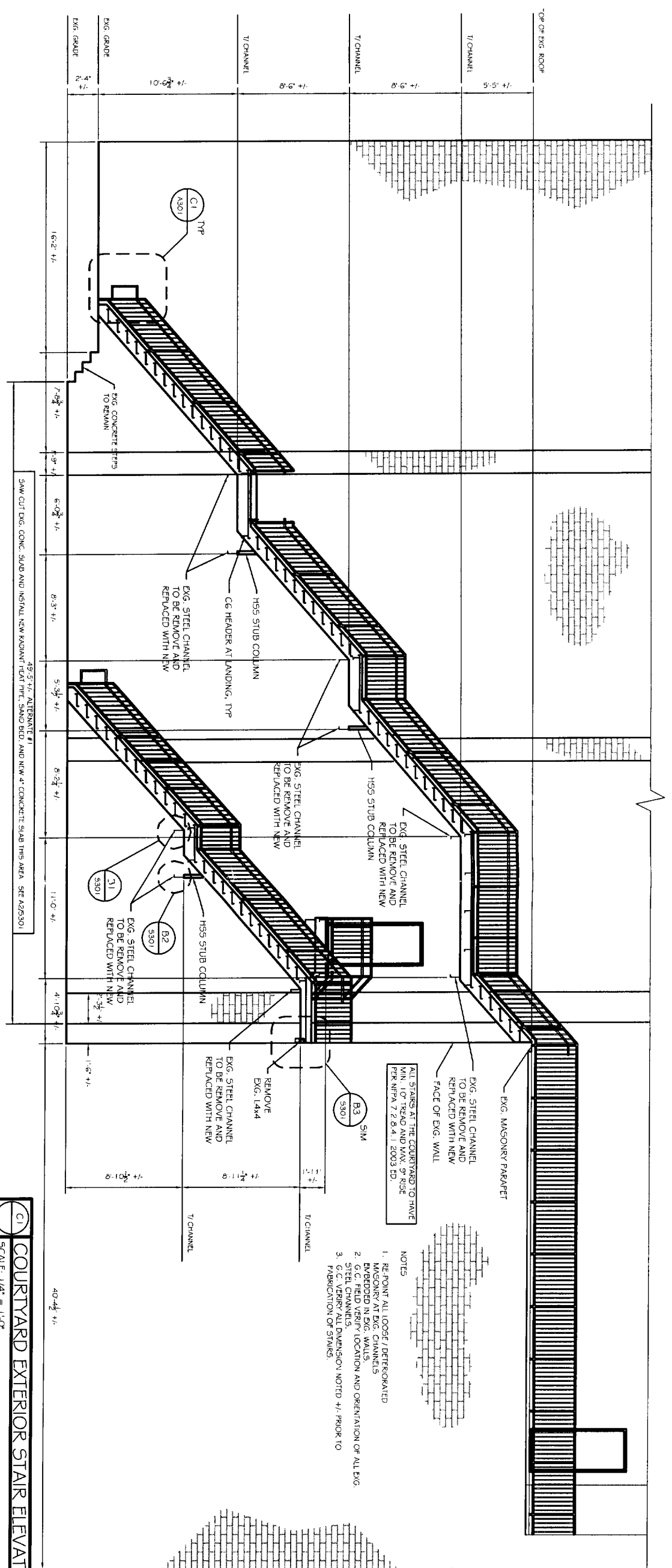
NOT TO SCALE  
FOR INFORMATION ONLY  
DO NOT CONSTRUCT  
BASED ON THESE PLANS  
UNLESS SPECIFICALLY  
NOTED OTHERWISE

**ASSOCIATED DESIGN  
PARTNERS INC.**

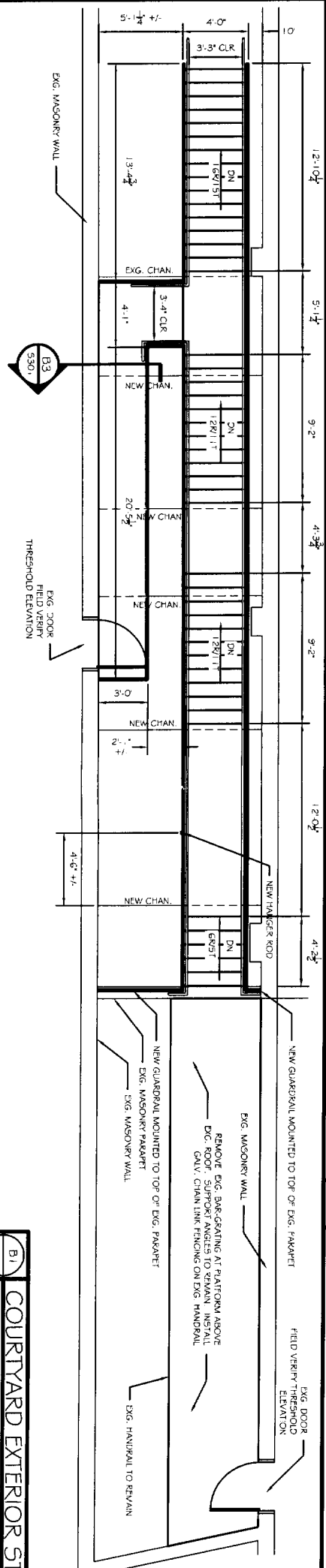
80 Leighton Road  
Falmouth, Maine 04105

Office: (207) 878-1751  
Fax: (207) 878-1788  
E-Mail: [odp@odpengineering.com](mailto:odp@odpengineering.com)

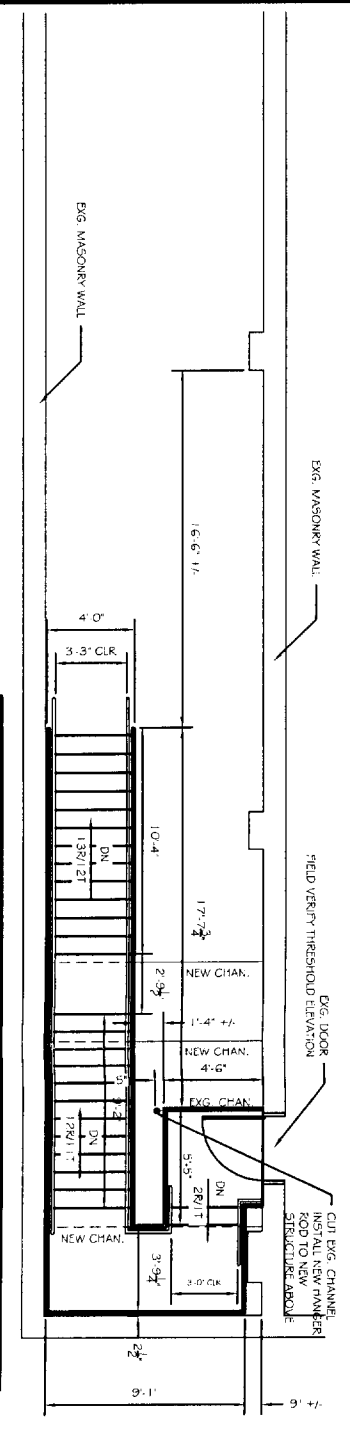
DATE: 03-08-08  
SCALE: AS NOTED  
DESIGN BY: ASW  
DRAWN BY: MW  
FILE # 05247-A101/MS  
PROJECT NUMBER:  
**05247**  
SHEET NO:  
**A101**



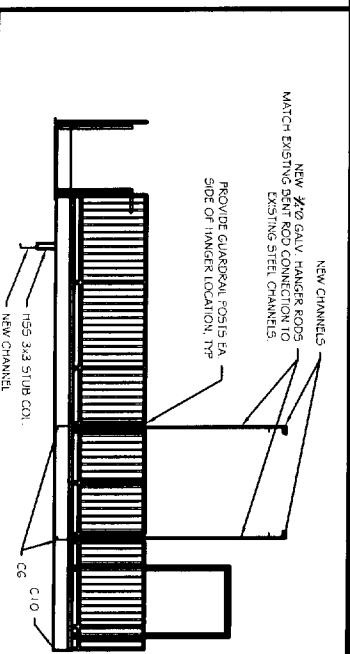
**C** COURTYARD EXTERIOR STAIR ELEVATION  
SCALE: 1/4" = 1'-0"



**B1** COURTYARD EXTERIOR STAIR PLANS  
SCALE: 1/4" = 1'-0"



**A2** COURTYARD EXTERIOR STAIR PLANS  
SCALE: 1/4" = 1'-0"



**A1** COURTYARD STAIR PARTIAL ELEVATION  
SCALE: 1/4" = 1'-0"

- NOTES**
1. REPAIR ALL LOOSE / DETERIORATED MASONRY AT EXG. WALLS EMBEDDED IN EXG. WALLS
  2. G.C. FIELD VERIFY LOCATION AND ORIENTATION OF ALL EXG. STEEL CHANNELS.
  3. G.C. VERIFY ALL DIMENSIONS NOTED +/- PRIOR TO FABRICATION OF STAIRS.

REVISIONS			
No.	BY	DESCRIPTION	DATE
1	ASW	ISSUED FOR PERMITTING	4/7/08
2	ASW	ISSUED FOR FIRE MARSHAL REVIEW	3/9/08
3	ASW	ISSUED FOR PRICING	

**PROJECT: STATE THEATER EGRESS**  
**609 CONGRESS STREET**  
 FOR: GRANT WILSON

**SHEET TITLE:**  
**COURTYARD REPLACEMENT FIRE ESCAPE STAIR**  
**FRAMING PLAN + ELEVATION**

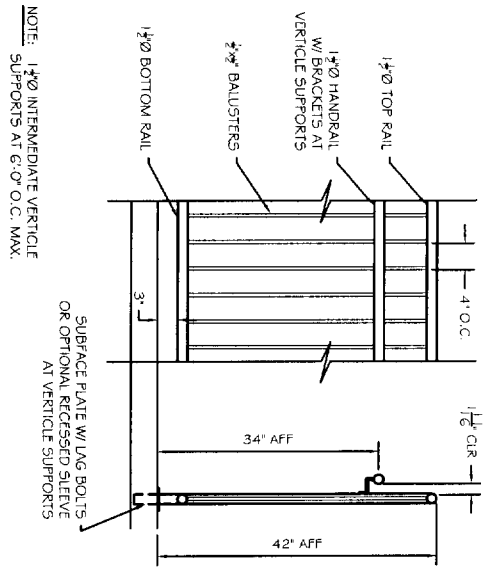
THE GENERAL CONTRACTOR SHALL BE RESPONSIBLE FOR OBTAINING ALL NECESSARY PERMITS AND FOR THE PROTECTION OF ALL UTILITIES AND ADJACENT STRUCTURES.

**ASSOCIATED DESIGN PARTNERS INC.**

80 Leighton Road  
 Falmouth, Maine 04105

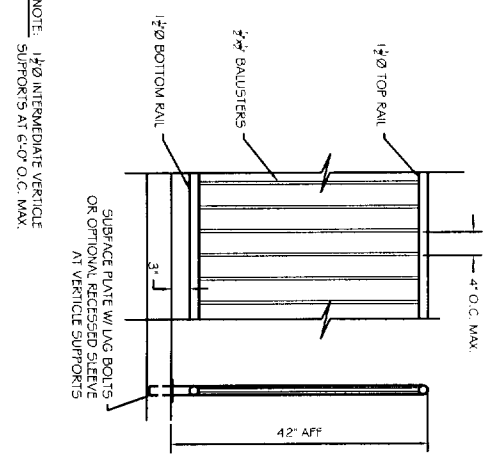
Office: (207) 878-1751  
 Fax: (207) 878-1788  
 E-Mail: [adp@adpengineering.com](mailto:adp@adpengineering.com)

DATE: 03-08-08  
 SCALE: AS NOTED  
 DESIGN BY: ASW  
 DRAWN BY: NSC  
 FILE # 05247-A102B  
 PROJECT NUMBER:  
**05247**  
 SHEET NO.  
**A102**



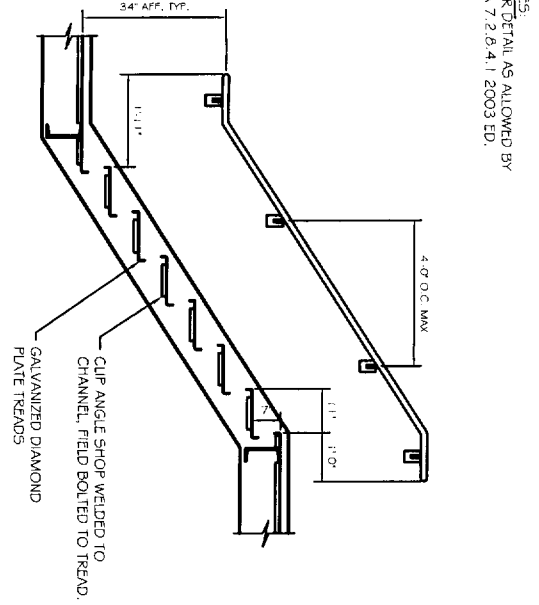
NOTE: 1 1/2" INTERMEDIATE VERTICAL SUPPORTS AT 6'-0" O.C. MAX.

C4 TYPICAL GUARDRAIL / HANDRAIL  
SCALE: NO SCALE



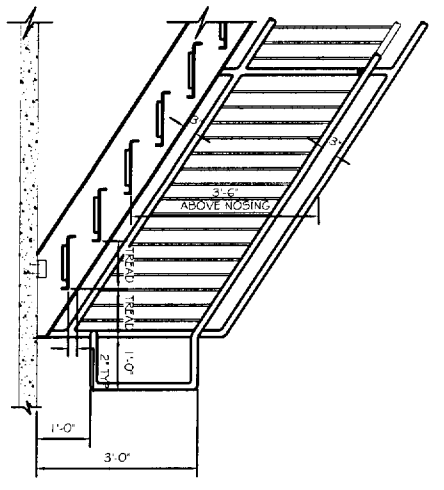
NOTE: 1 1/2" INTERMEDIATE VERTICAL SUPPORTS AT 6'-0" O.C. MAX.

C3 TYPICAL GUARDRAIL  
SCALE: NO SCALE

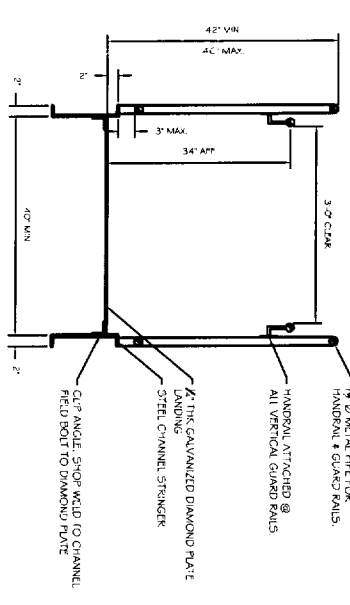


NOTES:  
STAIR DETAIL AS ALLOWED BY  
NFPA 7.2.B.4.1, 2003 ED.

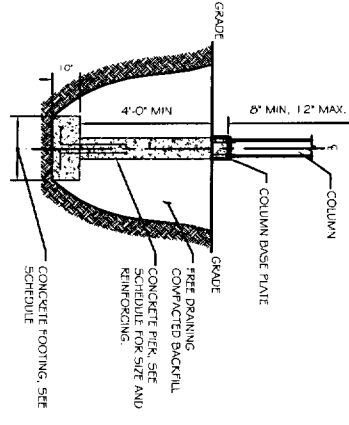
C2 TYP REPLACEMENT STAIR W/ WALL MOUNTED HANDRAIL  
SCALE: NO SCALE



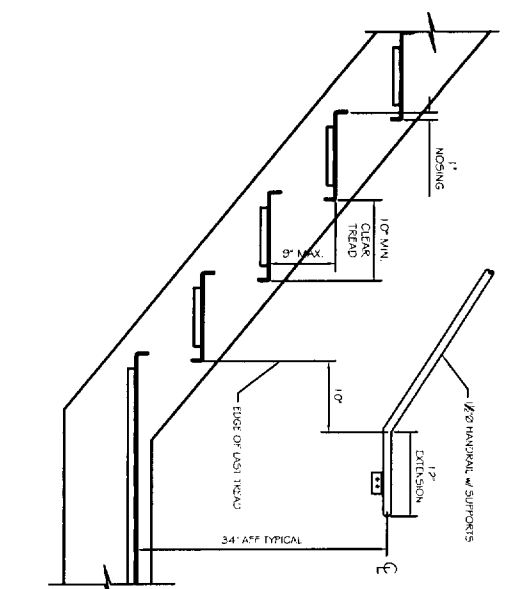
C1 TYPICAL BOTTOM OF STAIR DETAIL  
SCALE: NO SCALE



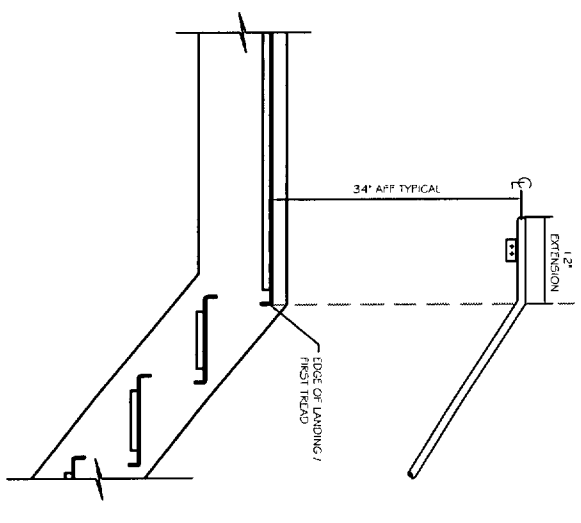
B2 STAIR LANDING CROSS SECTION  
SCALE: NO SCALE



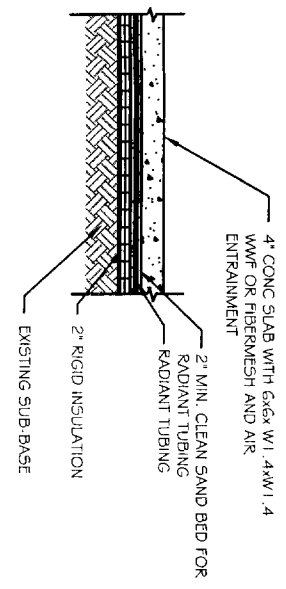
B1 TYPICAL CONCRETE PIER AT COLUMN  
SCALE: NO SCALE



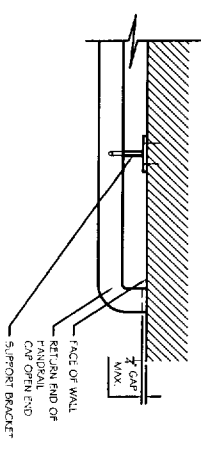
A4 TYP WALL MOUNTED HANDRAIL EXTENSION AT BOTTOM  
SCALE: NO SCALE



A3 TYP WALL MOUNTED HANDRAIL EXTENSION AT TOP  
SCALE: NO SCALE



A2 ALTERNATE #1 - NEW HEATED CONCRETE SLAB  
SCALE: NO SCALE



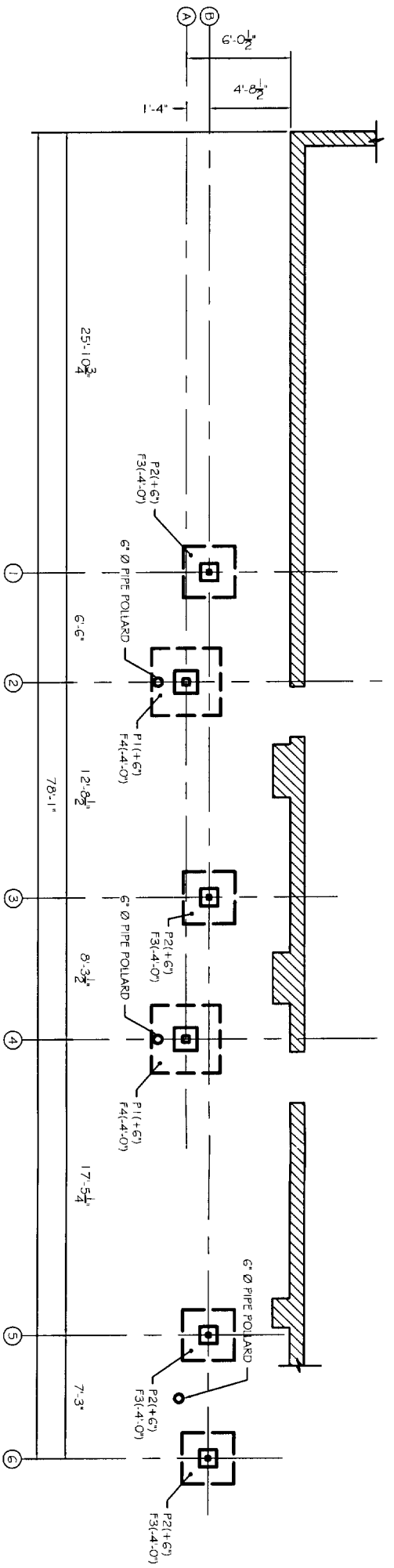
A1 WALL MOUNTED HANDRAIL RETURN  
SCALE: NO SCALE

REVISIONS			
No.	BY	DESCRIPTION	DATE
1	ASW	ISSUED FOR PRICING	3/4/06
2	ASW	ISSUED FOR FIRE MARSHALL REVIEW	
3	ASW	ISSUED FOR PERMITTING	4/7/06

PROJECT: **STATE THEATER**  
**609 CONGRESS ST. PORTLAND ME**  
 FOR: GRANT WILSON  
 SHEET TITLE: **REPLACEMENT FIRE ESCAPE STAIR**  
**NOTES AND DETAILS**

**ASSOCIATED DESIGN PARTNERS INC.**  
 80 Leighton Road  
 Falmouth, Maine 04105  
 Office: (207) 878-1751  
 Fax: (207) 878-1788  
 E-Mail: [adp@adpengineering.com](mailto:adp@adpengineering.com)

DATE: 03-08-06  
 SCALE: AS NOTED  
 DESIGN BY: ASW  
 DRAWN BY: NW  
 FILE # 05247-ADM  
 PROJECT NUMBER:  
**05247**  
 SHEET NO.:  
**A301**

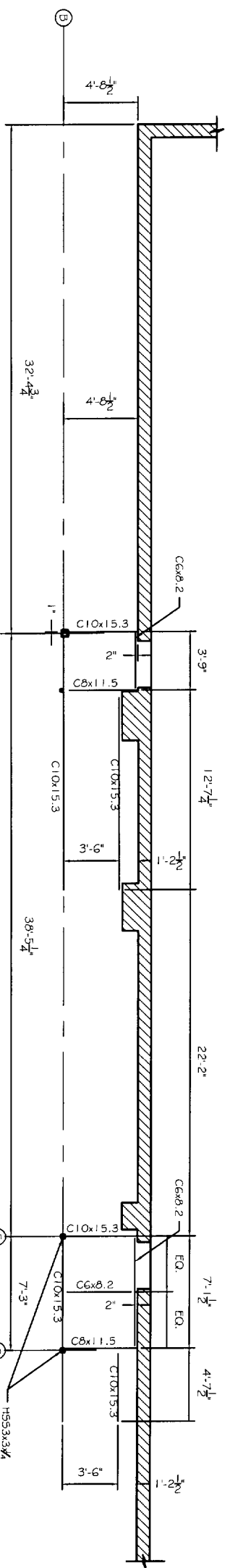


MARK	SIZE	BOTTOM REINFORCING
F3	3'-0x3'-0x1'-0"	(4) #4S E.W.
F4	4'-0x4'-0x1'-0"	(5) #4S E.W.

MARK	SIZE	BOTTOM REINFORCING
F3	3'-0x3'-0x1'-0"	(4) #4S E.W.
F4	4'-0x4'-0x1'-0"	(5) #4S E.W.

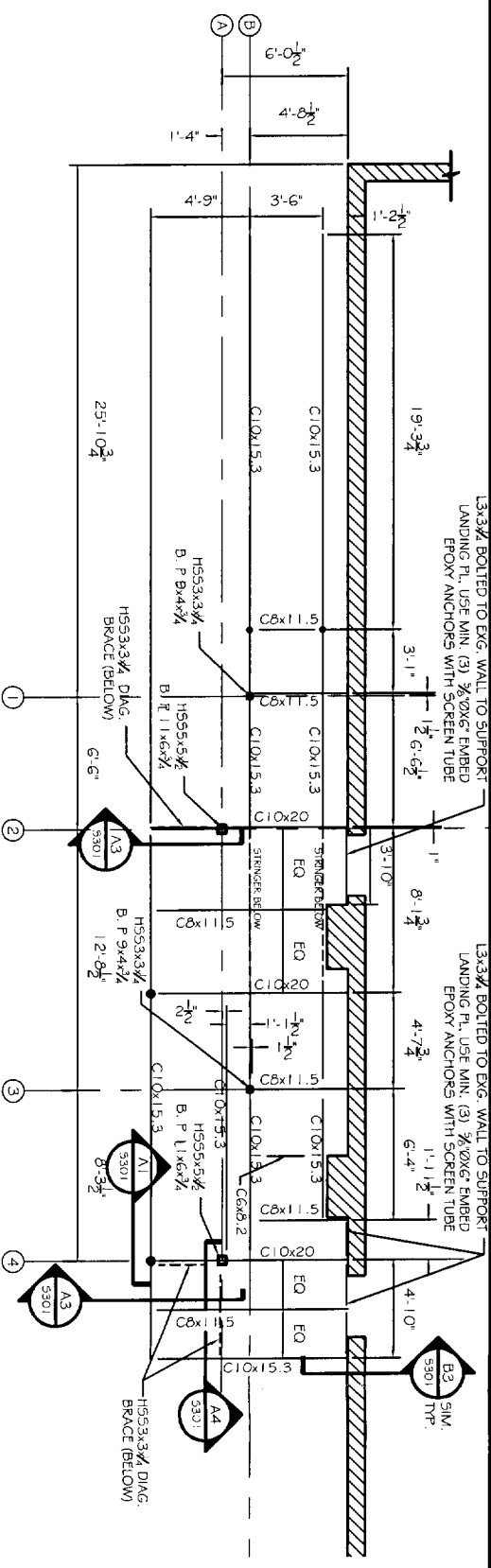
1. FOR INDICATES TOP OF FOOTING.
2. FOR INDICATES TOP OF CONCRETE.
3. FOR INDICATES TOP OF FINISHED FLOOR ELEVATION.
4. FOR INDICATES FINISHED FLOOR ELEVATION.
5. FOR INDICATES FINISHED FLOOR ELEVATION.
6. FOR INDICATES FINISHED FLOOR ELEVATION.
7. FOR INDICATES FINISHED FLOOR ELEVATION.

**C1 HIGH ST. ALLEY REPLACEMENT STAIR FOUNDATION PLAN**  
SCALE: 1/4" = 1'-0"



- NOTES:
1. SEE 5302 FOR TYPICAL NOTES AND DETAILS.
  2. ALL STEEL MEMBERS TO BE PAINTED BLACK.
  3. FIELD ASSEMBLY TO BE WITH BOLTED CONNECTIONS ONLY - NO FIELD WELDING.
  4. G.C. VERIFY ALL DIMENSIONS PRIOR TO FABRICATION OF STRUCTURAL STEEL.
  5. INDICATES MOMENT CONNECTION. SEE DETAIL A1/5301.

**B1 HIGH ST. ALLEY REPLACEMENT STAIR FRAMING PLAN- LOWER LEVEL**  
SCALE: 1/4" = 1'-0"



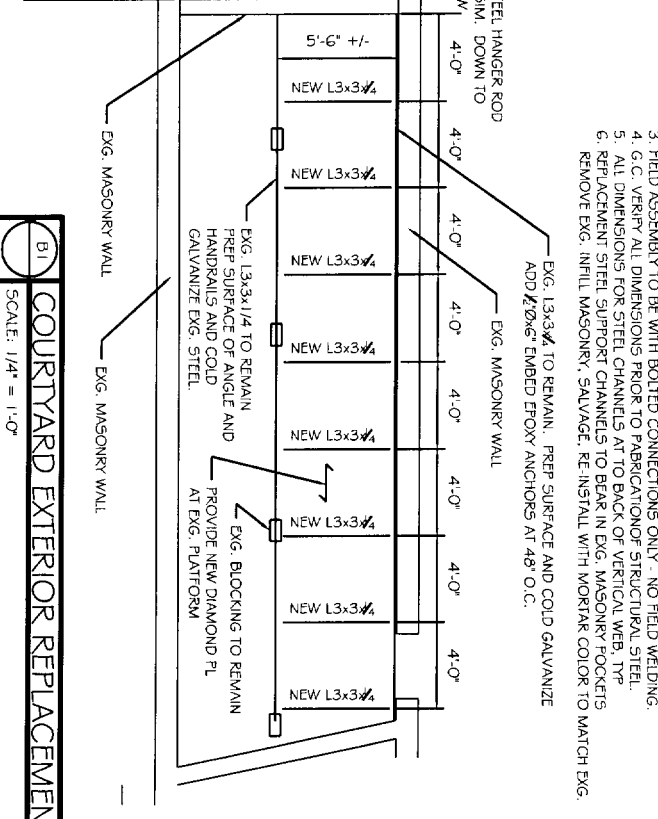
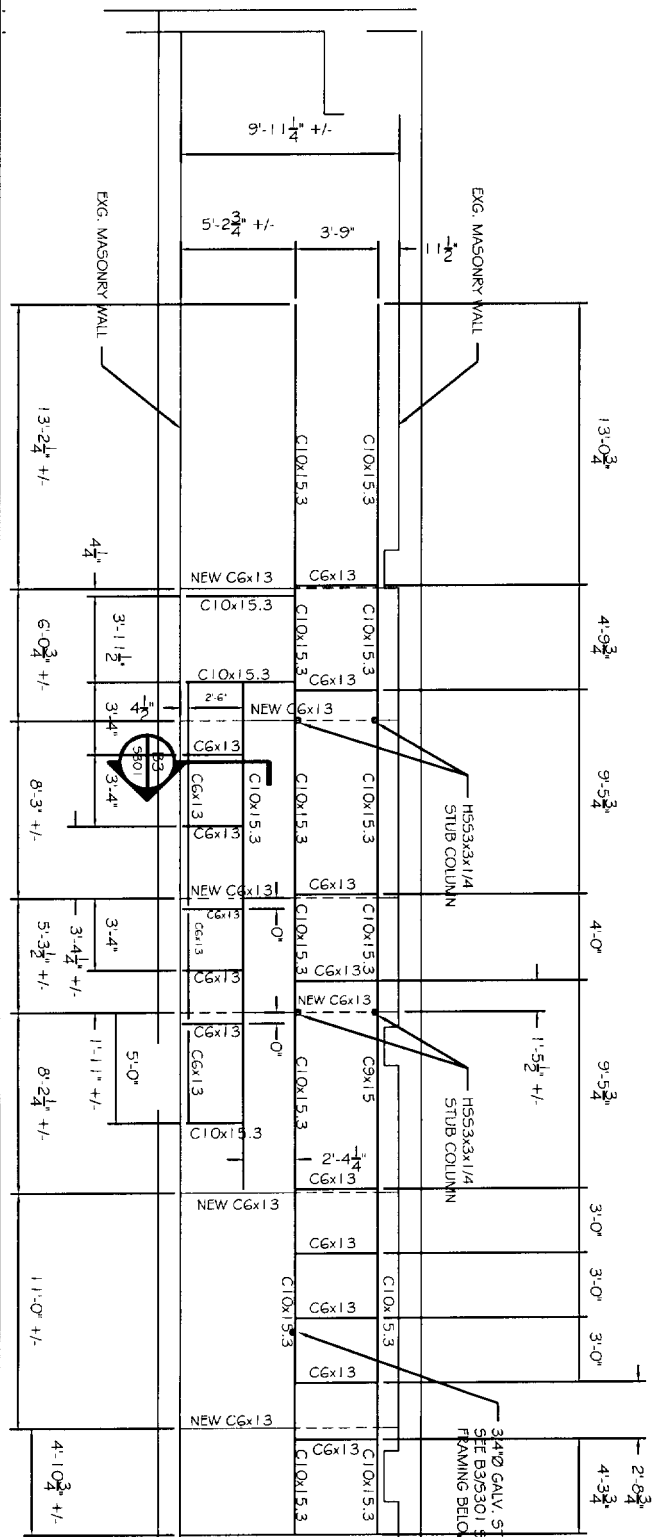
**A1 HIGH ST. ALLEY REPLACEMENT STAIR FRAMING UPPER LEVEL PLAN**  
SCALE: 1/4" = 1'-0"

**ASSOCIATED DESIGN PARTNERS INC.**  
80 Leighton Road Falmouth, Maine 04105  
Office: (207) 878-1751  
Fax: (207) 878-1788  
E-Mail: [adp@adpengineering.com](mailto:adp@adpengineering.com)

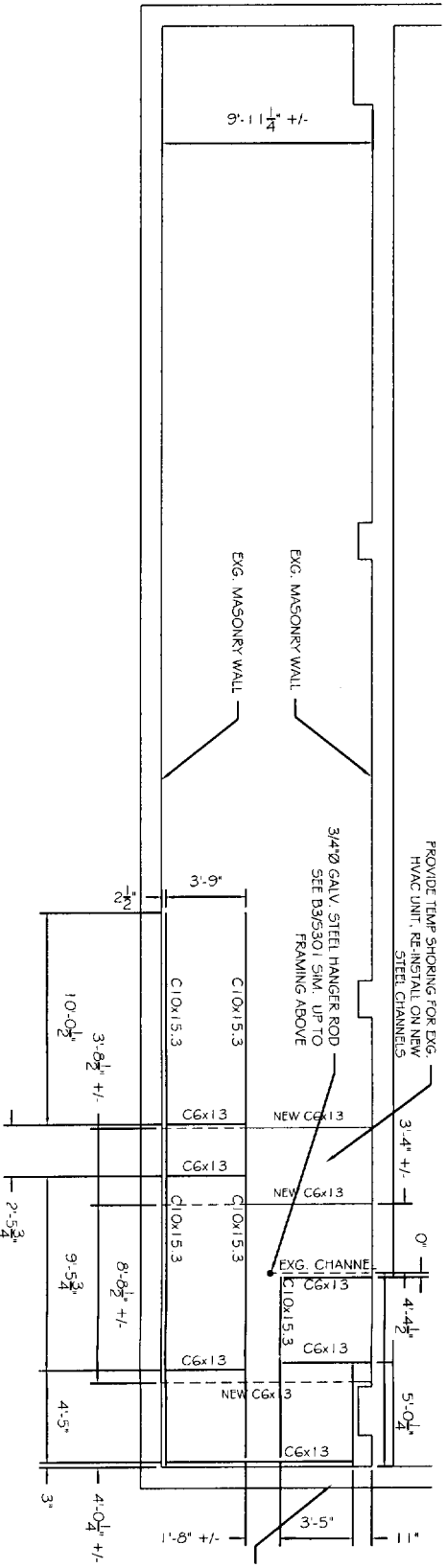
**PROJECT: STATE THEATER**  
**609 CONGRESS ST, PORTLAND ME**  
**FOR: GRANT WILSON**  
**SHEET TITLE:**  
**HIGH ST. ALLEY REPLACEMENT FIRE ESCAPE**  
**FOUNDATION AND FRAMING PLANS**

No.	BY	DESCRIPTION	DATE
1	ASW	ISSUED FOR PERMITS	3/1/06
2	ASW	ISSUED FOR PERMITS	4/7/06

**DATE:** 02-08-06  
**SCALE:** AS NOTED  
**DESIGN BY:** ASW  
**DRAWN BY:** NC  
**FILE #:** 05247-S101.DWG  
**PRODUCT NUMBER:**  
**05247**  
**SHEET NO.:**  
**S101**



- NOTES:
1. SEE S302 FOR TYPICAL NOTES AND DETAILS
  2. ALL STEEL MEMBERS TO BE GALVANIZED.
  3. FIELD ASSEMBLY TO BE WITH BOLTED CONNECTIONS ONLY - NO FIELD WELDING.
  4. G.C. VERIFY ALL DIMENSIONS PRIOR TO FABRICATION OF STRUCTURAL STEEL.
  5. ALL DIMENSIONS FOR STEEL CHANNELS AT TO BACK OF VERTICAL WEB, TYP.
  6. REPLACEMENT STEEL SUPPORT CHANNELS TO BEAR IN EXG. MASONRY POCKETS REMOVE EXG. INFILL MASONRY, SALVAGE, RE-INSTALL WITH MORTAR COLOR TO MATCH EXG.



PROVIDE TEMP SHORING FOR EXG. HVAC UNIT. RE-INSTALL ON NEW STEEL CHANNELS

3/4" GALV. STEEL HANGER ROD SEE B3/3301 SIM. UP TO FRAMING ABOVE

EXG. CHANNELS TO REMAIN GALVANIZE EXG. STEEL

EXG. BLOCKING TO REMAIN PREP SURFACE OF ANGLE AND PROVIDE NEW DIAMOND PL AT EXG. PLATFORM

(A) COURTYARD EXTERIOR REPLACEMENT STAIR PLANS  
SCALE: 1/4" = 1'-0"

(B) COURTYARD EXTERIOR REPLACEMENT STAIR PLANS  
SCALE: 1/4" = 1'-0"

(A1) COURTYARD EXTERIOR REPLACEMENT STAIR PLANS  
SCALE: 1/4" = 1'-0"

REVISIONS			
No.	BY	DESCRIPTION	DATE
1	ASW	ISSUED FOR PERMIT	3/4/08
2	ASW	ISSUED FOR PERMIT	4/7/08

PROJECT: **STATE THEATER**  
**600 CONGRESS ST, PORTLAND ME**  
 FOR: GRANT WILSON

SHEET TITLE:  
**COURTYARD REPLACEMENT FIRE ESCAPE STAIR FRAMING PLANS**

DATE: 03-08-08  
 SCALE: AS NOTED  
 DESIGNER: ASW  
 DRAWING: BTW  
 PROJECT NUMBER:  
**052247**  
 SHEET NO.:  
**S102**

**ASSOCIATED DESIGN PARTNERS INC.**

80 Leighton Road  
 Falmouth, Maine 04105

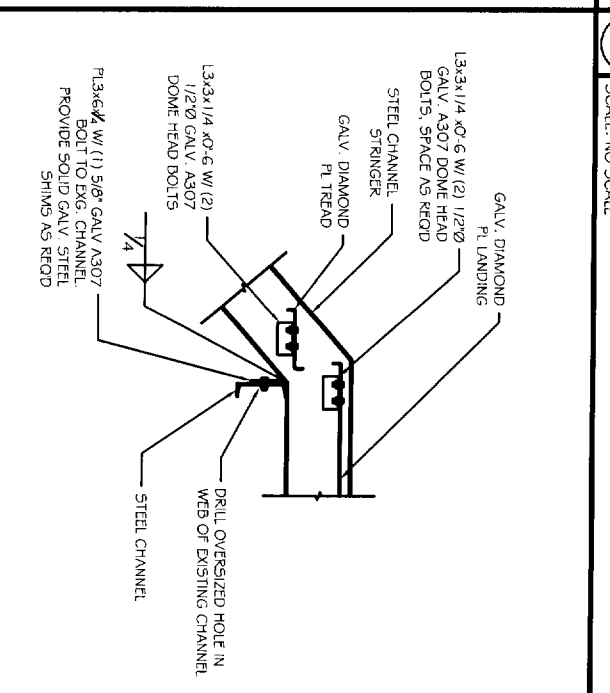
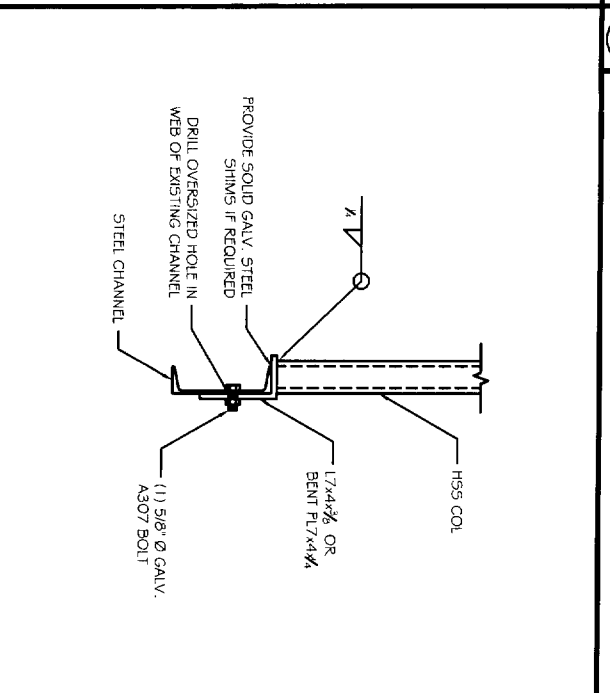
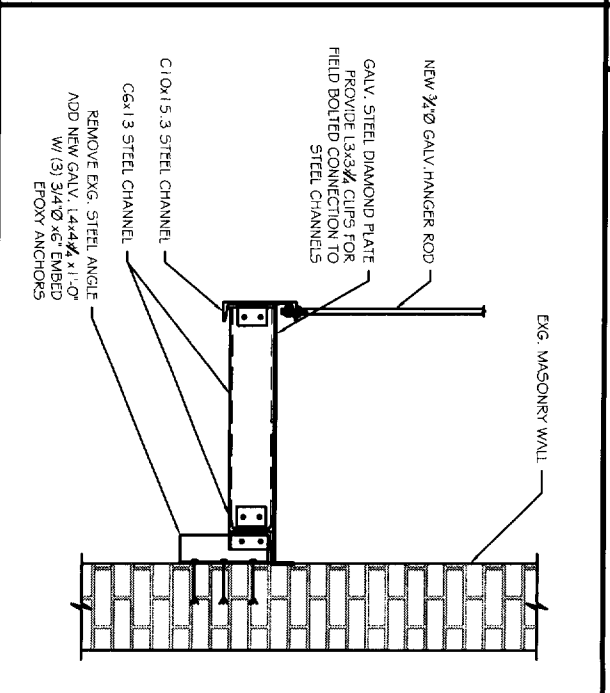
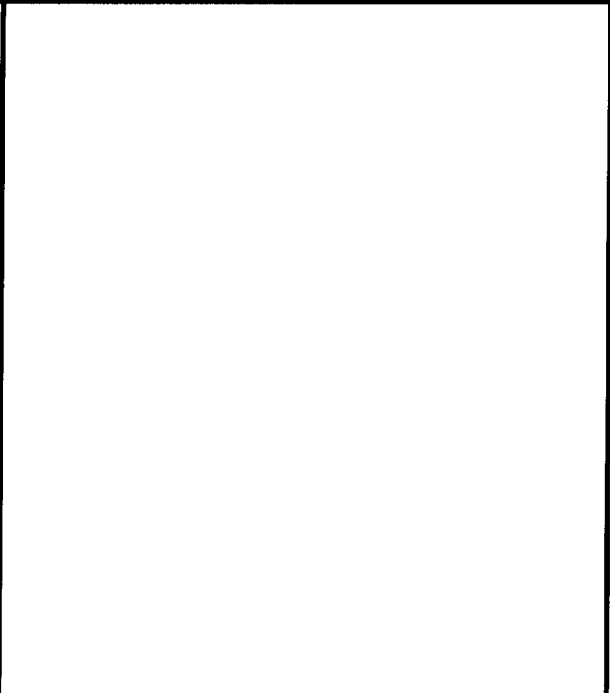
Office: (207) 878-1751  
 Fax: (207) 878-1788  
 E-Mail: [adp@adpengineering.com](mailto:adp@adpengineering.com)

C4  
SCALE: NO SCALE

C3  
SCALE: NO SCALE

C2  
SCALE: NO SCALE

C1  
SCALE: NO SCALE

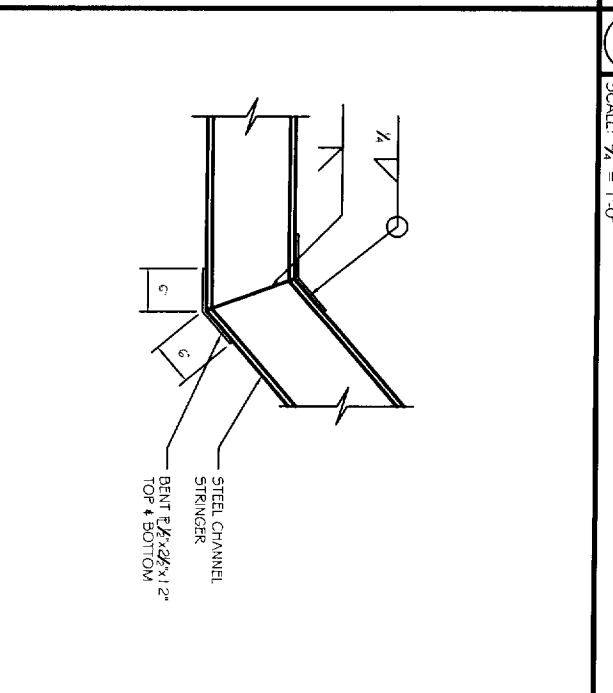
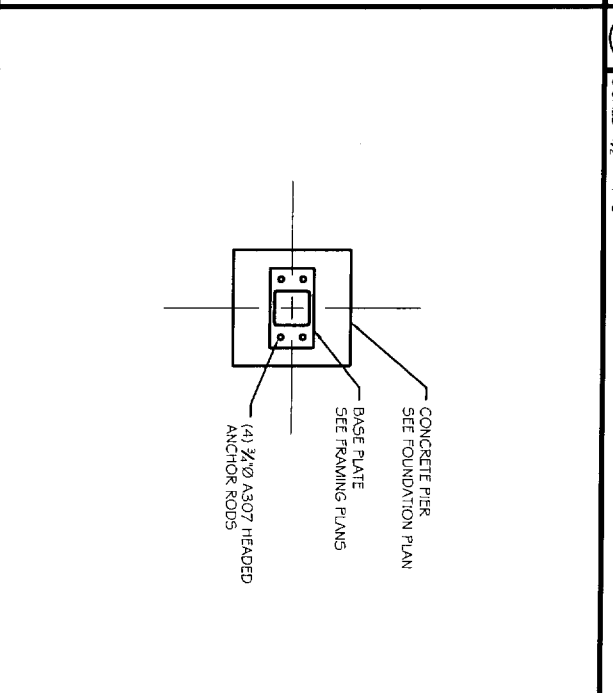
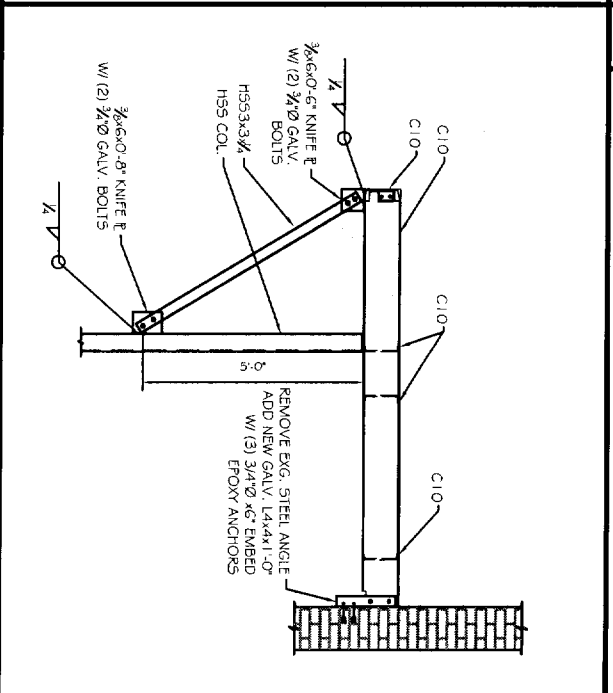
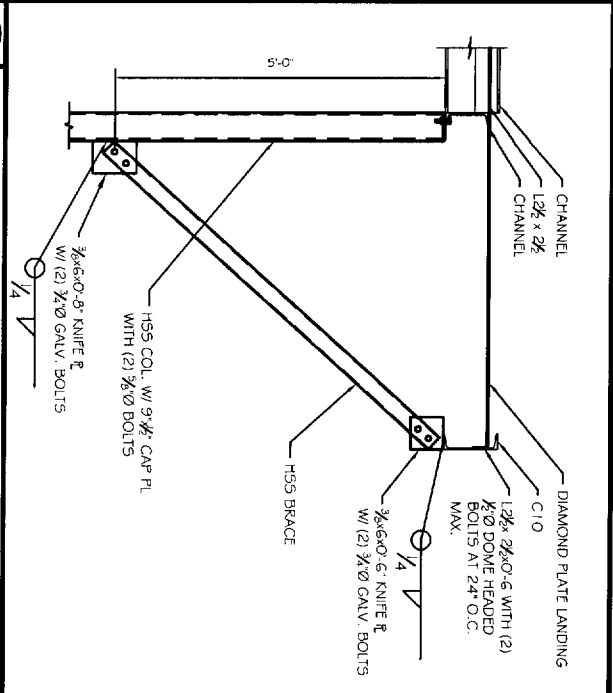


B4  
SCALE: NO SCALE

B3  
SCALE: 1"=1'-0"

B2  
SCALE: 1/2"=1'-0"

B1  
SCALE: 3/4"=1'-0"



A4  
SCALE: NO SCALE

A3  
SCALE: NO SCALE

A2  
SCALE: NO SCALE

A1  
SCALE: 1"=1'-0"

**ASSOCIATED DESIGN PARTNERS INC.**  
 80 Leighton Road, Falmouth, Maine 04105  
 Office: (207) 878-1751  
 Fax: (207) 878-1788  
 E-Mail: adp@adpengineering.com

PROJECT: **STATE THEATER**  
 609 CONGRESS ST. PORTLAND ME  
 FOR: GRANT WILSON  
 SHEET TITLE: **REPLACEMENT FIRE ESCAPE STAIR**  
 ISSUED FOR PERMITTING

No.	BY	DESCRIPTION	DATE
1	ASW	ISSUED FOR PERMITS	3/4/06
2	ASW	ISSUED FOR FIRE MARSHALL REVIEW	4/7/06
3	ASW	ISSUED FOR PERMITTING	

DATE: 03-08-06  
 SCALE: AS NOTED  
 DESIGN: BTJ, ASW  
 DRAWING: BTJ, RES  
 FILE #: 05247-SS1016  
 PROJECT NUMBER:  
 SHEET NO.: **5301**