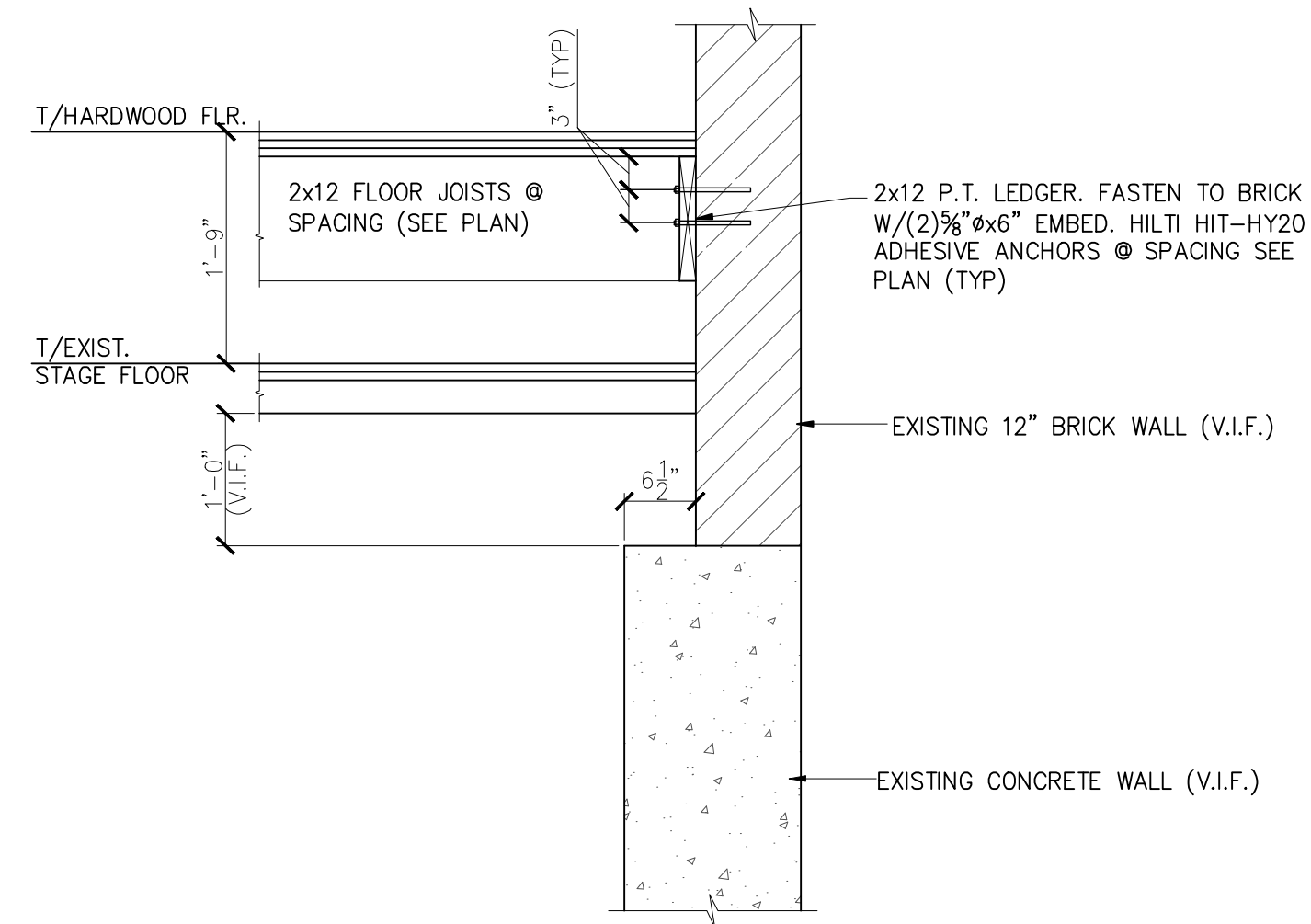
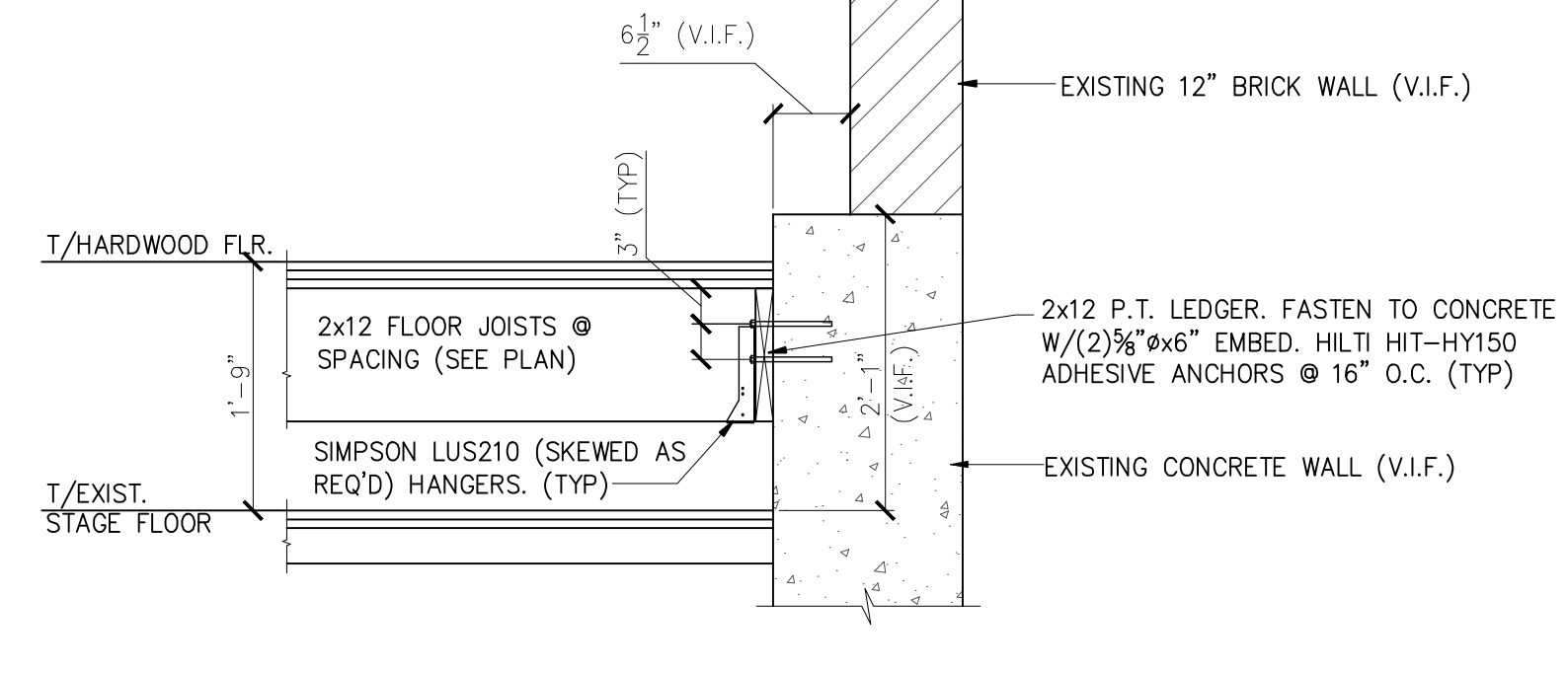


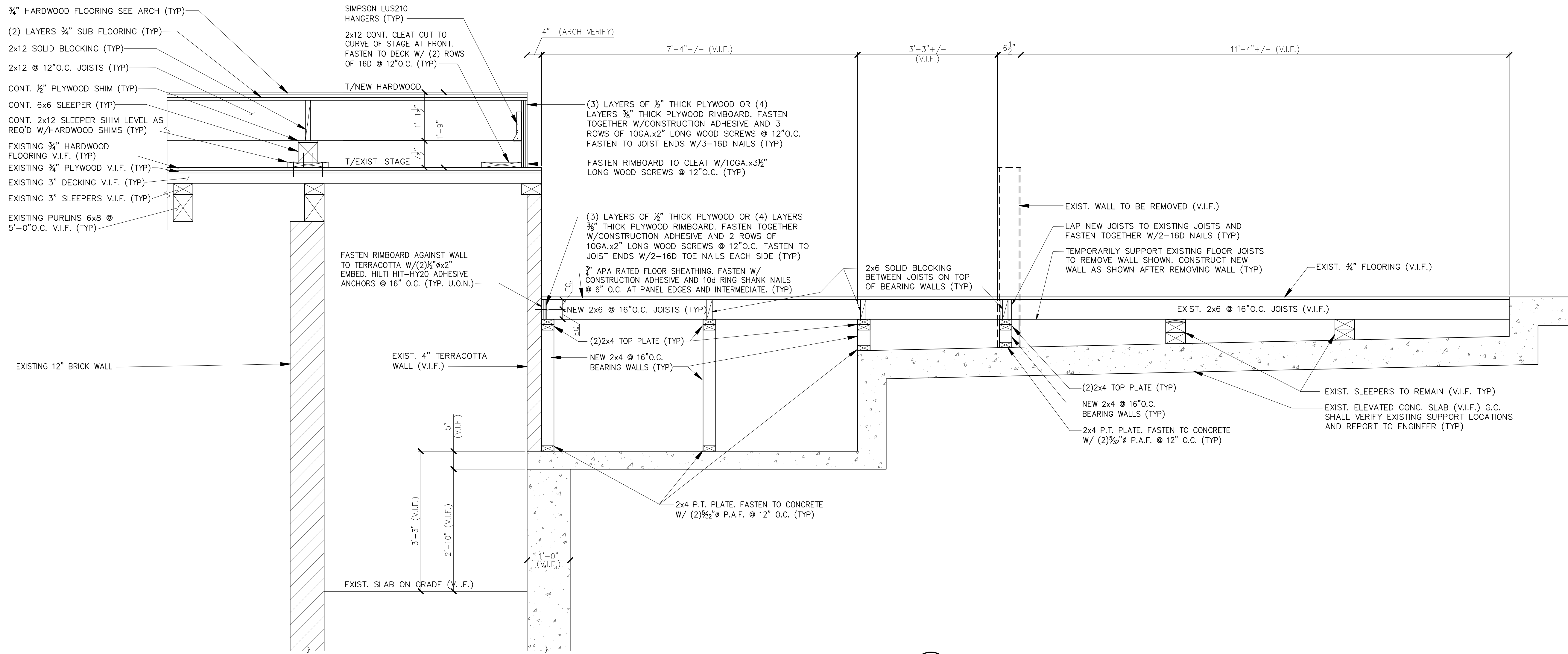
SECTION 1
3/4" = 1'-0"
S1



SECTION 2
3/4" = 1'-0"
S1

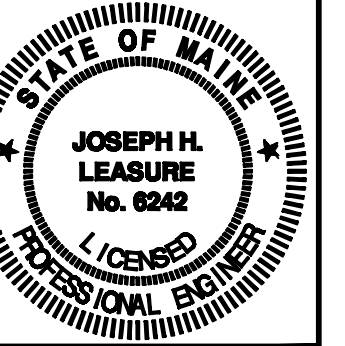


SECTION 3
3/4" = 1'-0"
S1



SECTION 4
3/4" = 1'-0"
S1

L & L STRUCTURAL
ENGINEERING SERVICES, INC.
SIX Q. STREET
SOUTH PORTLAND, MAINE 04106
PHONE: (207) 767-4830
FAX: (207) 799-5432



rev.	date	description

designed by: JHL
drawn by: AKB
checked by: JHL
scale: AS NOTED
date: 7-16-10
plot date: 7-16-10
project #: 2010-067

STATE STREET THEATER
PORTLAND, MAINE
INTERIOR RENOVATIONS-RAISED STAGE/THEATER FLOOR
SECTIONS AND DETAILS

S2

THESE DRAWINGS HAVE BEEN DEVELOPED BY L&L STRUCTURAL ENGINEERING SERVICES, INC. FOR THE TITLED SET ONLY. THE DRAWINGS ARE THE SOLE PROPERTY OF L&L ENGINEERING SERVICES, INC. AND THEY SHALL NOT BE USED, LENT, COPIED OR ALTERED WITHOUT THE WRITTEN CONSENT OF L&L STRUCTURAL ENGINEERING SERVICES, INC.