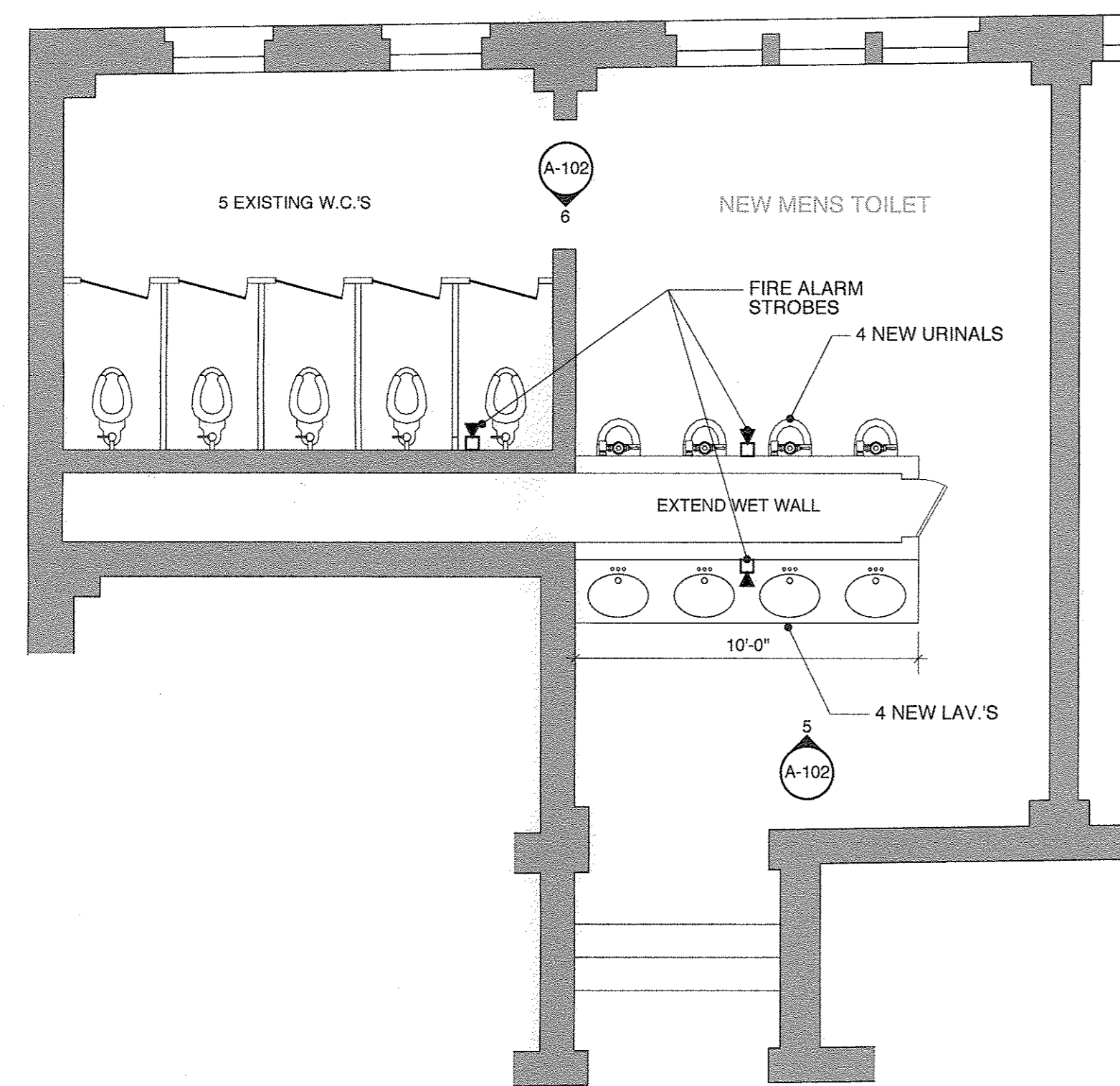
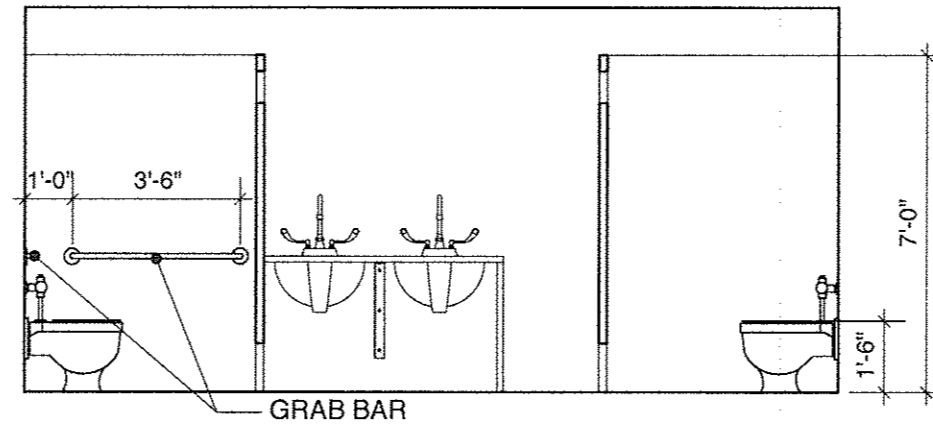


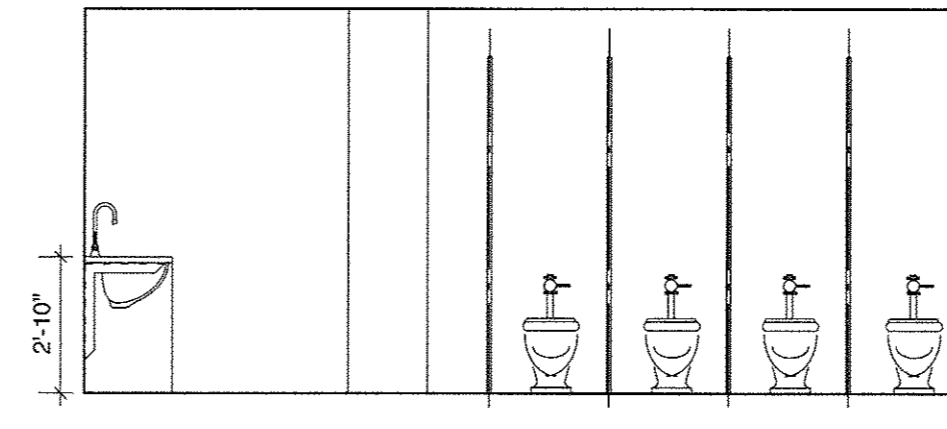
7 ENLARGED BATHROOM PLANS
SCALE: 1/4" = 1'-0"



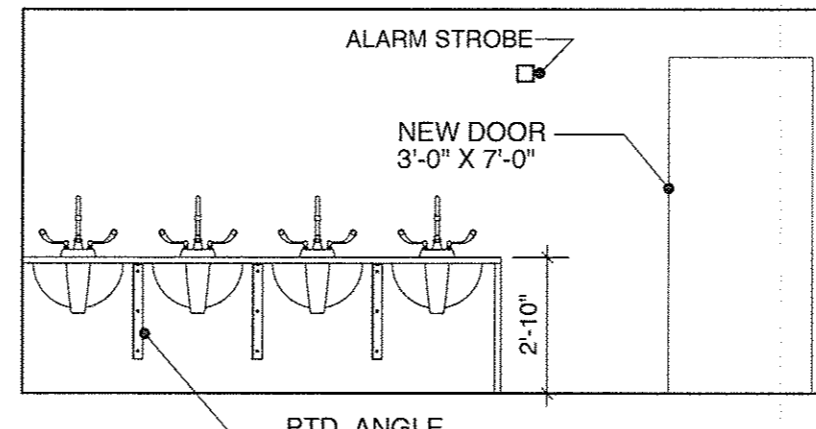
8 ENLARGED BATHROOM PLANS
SCALE: 1/4" = 1'-0"



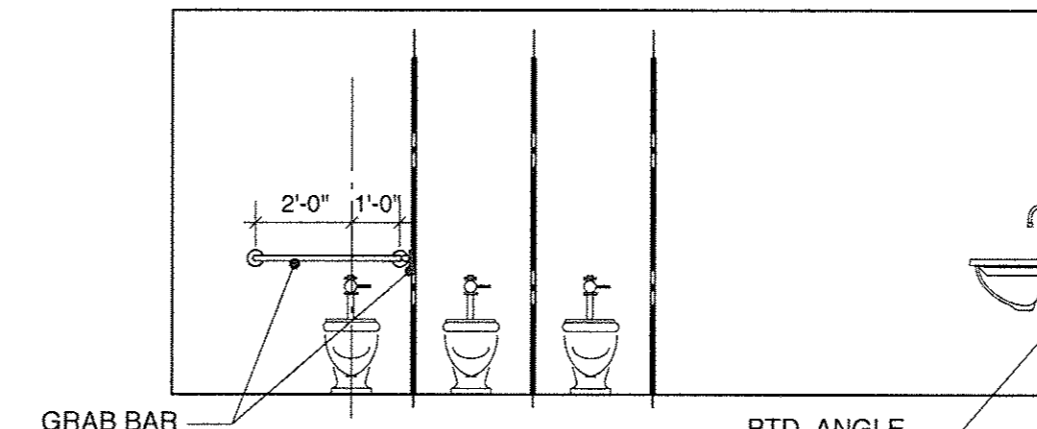
1 NEW WOMENS TOILET
SCALE: 1/4" = 1'-0"



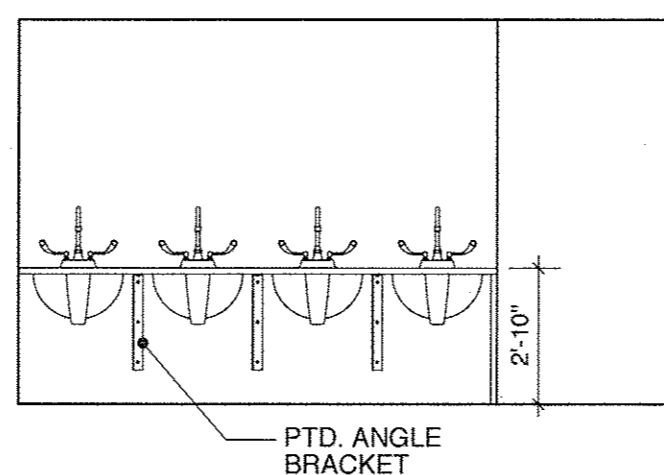
3 NEW WOMENS TOILET
SCALE: 1/4" = 1'-0"



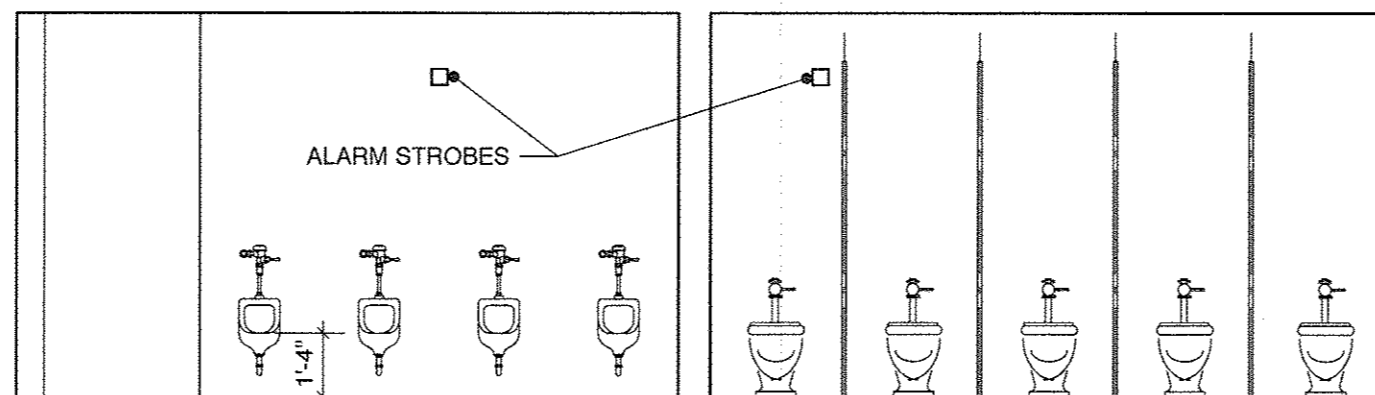
2 NEW WOMENS TOILET
SCALE: 1/4" = 1'-0"



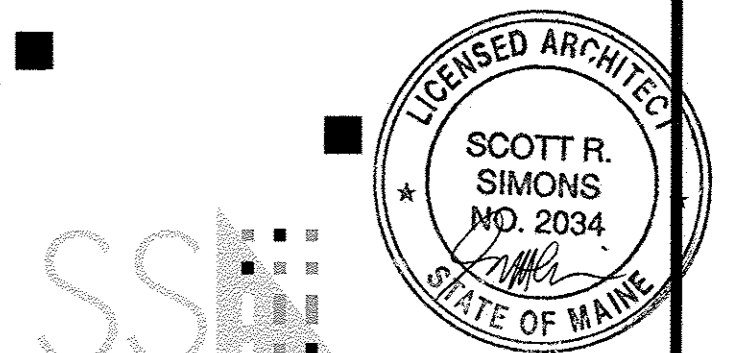
4 NEW WOMENS TOILET
SCALE: 1/4" = 1'-0"



5 NEW MENS TOILET
SCALE: 1/4" = 1'-0"



6 NEW MENS TOILET
SCALE: 1/4" = 1'-0"



Scott Simons Architects
75 York Street
Portland, Maine 04101
tel 207 772 4656
fax 207 828 4656
web www.simonsarchitects.com

THIS DRAWING IS THE PROPERTY OF
SCOTT SIMONS ARCHITECTS
AND IS NOT TO BE COPIED OR
REPRODUCED IN PART OR WHOLE.

PROJECT

**STONE COAST
PROPERTIES
STATE THEATER
FIRE ESCAPE**

142 HIGH STREET
PORTLAND, ME

TITLE

**BATHROOM
DETAILS**

STATUS:

CONSTRUCTION DRAWING

DATE:
07.12.2007

SCALE:
1/4" = 1'-0"

PROJECT NO.
2007-0080

DRAWN BY:

2007© Scott Simons Architects

DWG NO.

A-102