

THIS DRAWING, DESIGN AND ELECTRONIC FILE ARE THE PROPERTY OF ASSOCIATED DESIGN PARTNERS, INC. THE REPRODUCTION, COPYING OR ANY OTHER USE OF THIS DOCUMENT WITHOUT WRITTEN CONSENT IS PROHIBITED.

PROJECT: **STATE THEATER**  
**609 CONGRESS ST. PORTLAND ME**  
 FOR: GRANT WILSON

SHEET TITLE:  
**REPLACEMENT FIRE ESCAPE STAIR**  
**ISSUED FOR PERMITTING**

NO.	BY	DESCRIPTION	DATE
1	ASW	ISSUED FOR PRICING	3/8/06
2	ASW	ISSUED FOR FIRE MARSHALL REVIEW	4/7/06
3	ASW	ISSUED FOR PERMITTING	

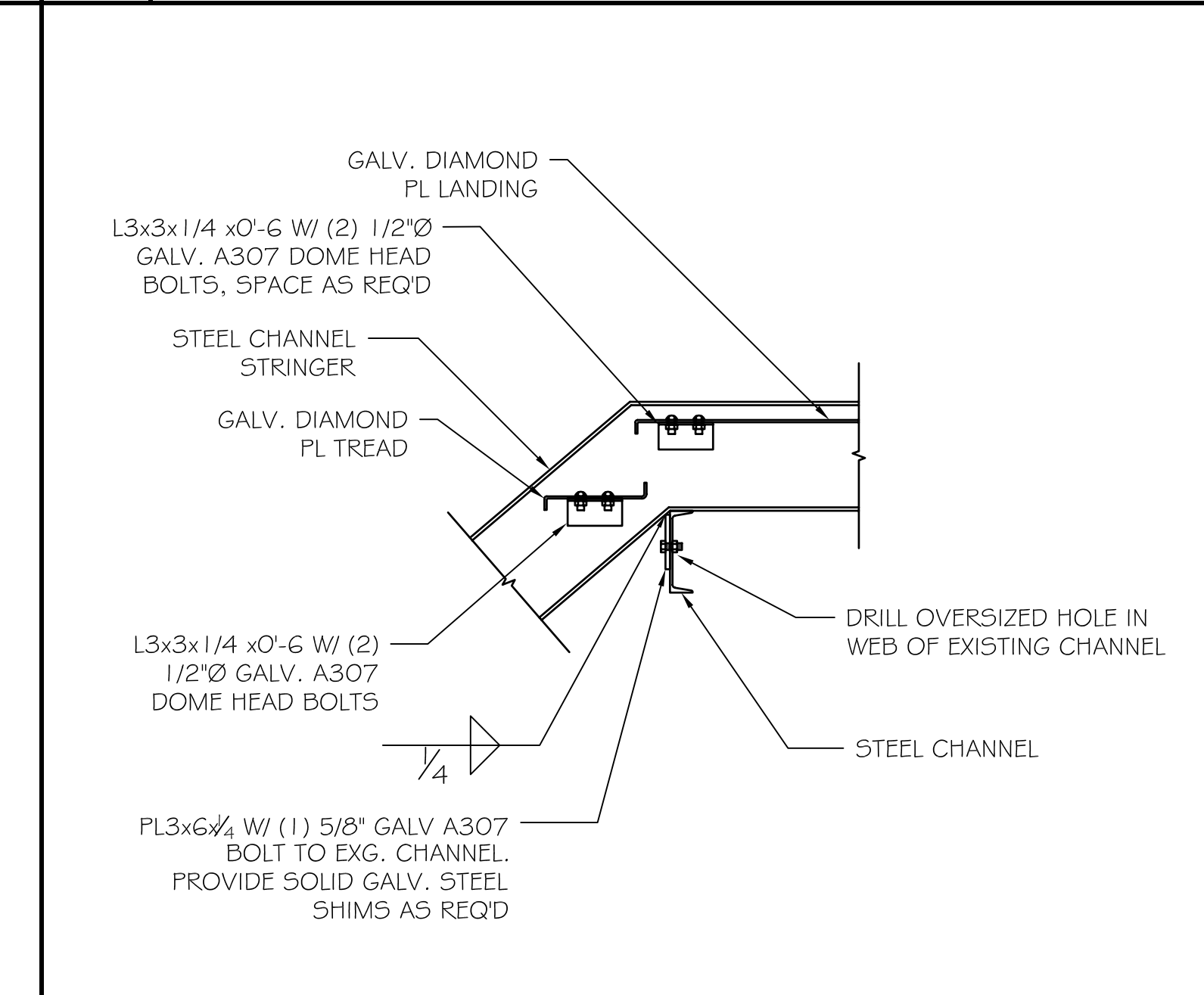
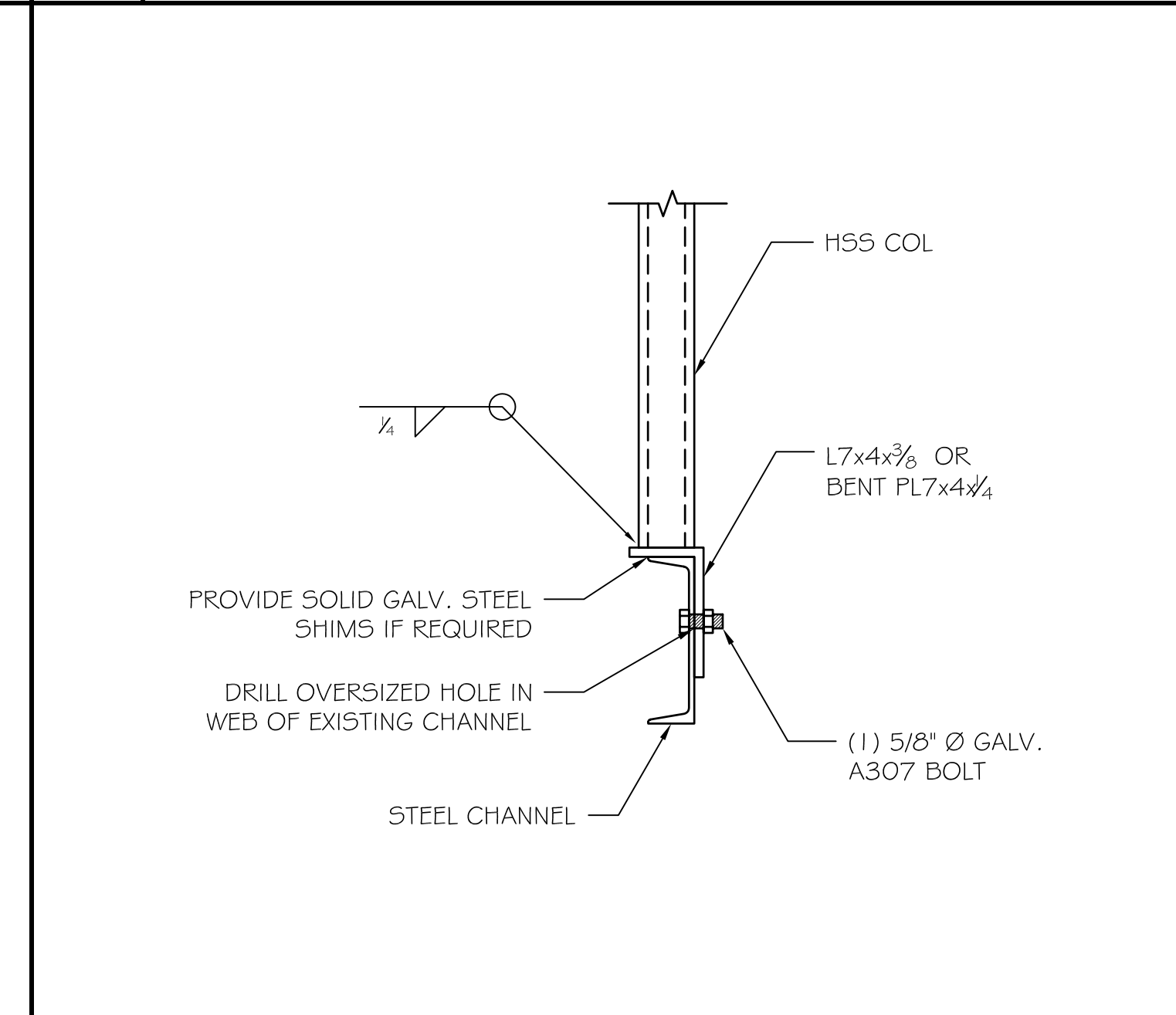
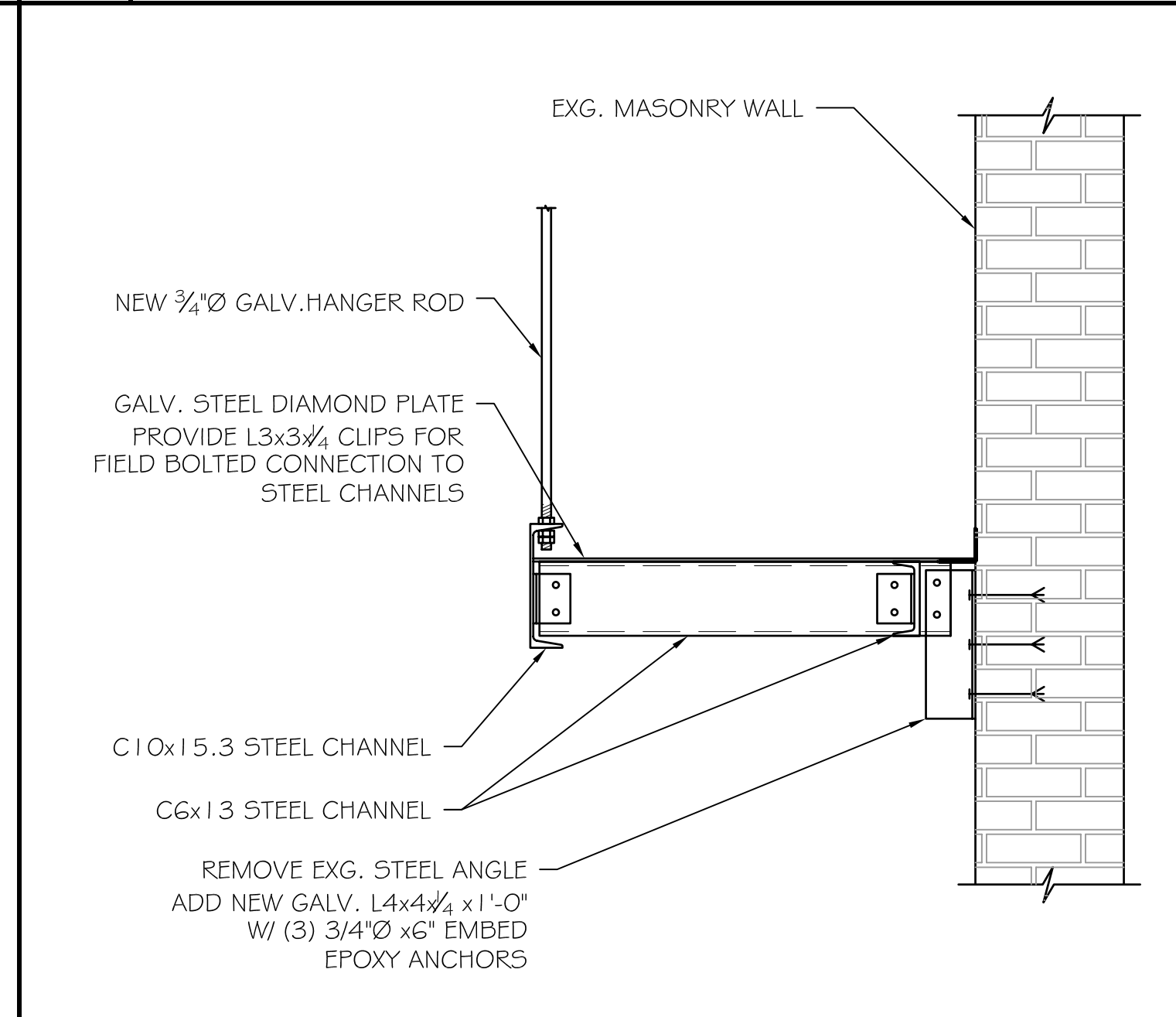
DATE : 03-08-06  
 SCALE : AS NOTED  
 DESIGN BY: ASW  
 DRAWN BY: RSC  
 PROJECT NUMBER:  
**05247**  
 SHEET NO:  
**S301**

C4 SCALE: NO SCALE

C3 SCALE: NO SCALE

C2 SCALE: NO SCALE

C1 SCALE: NO SCALE

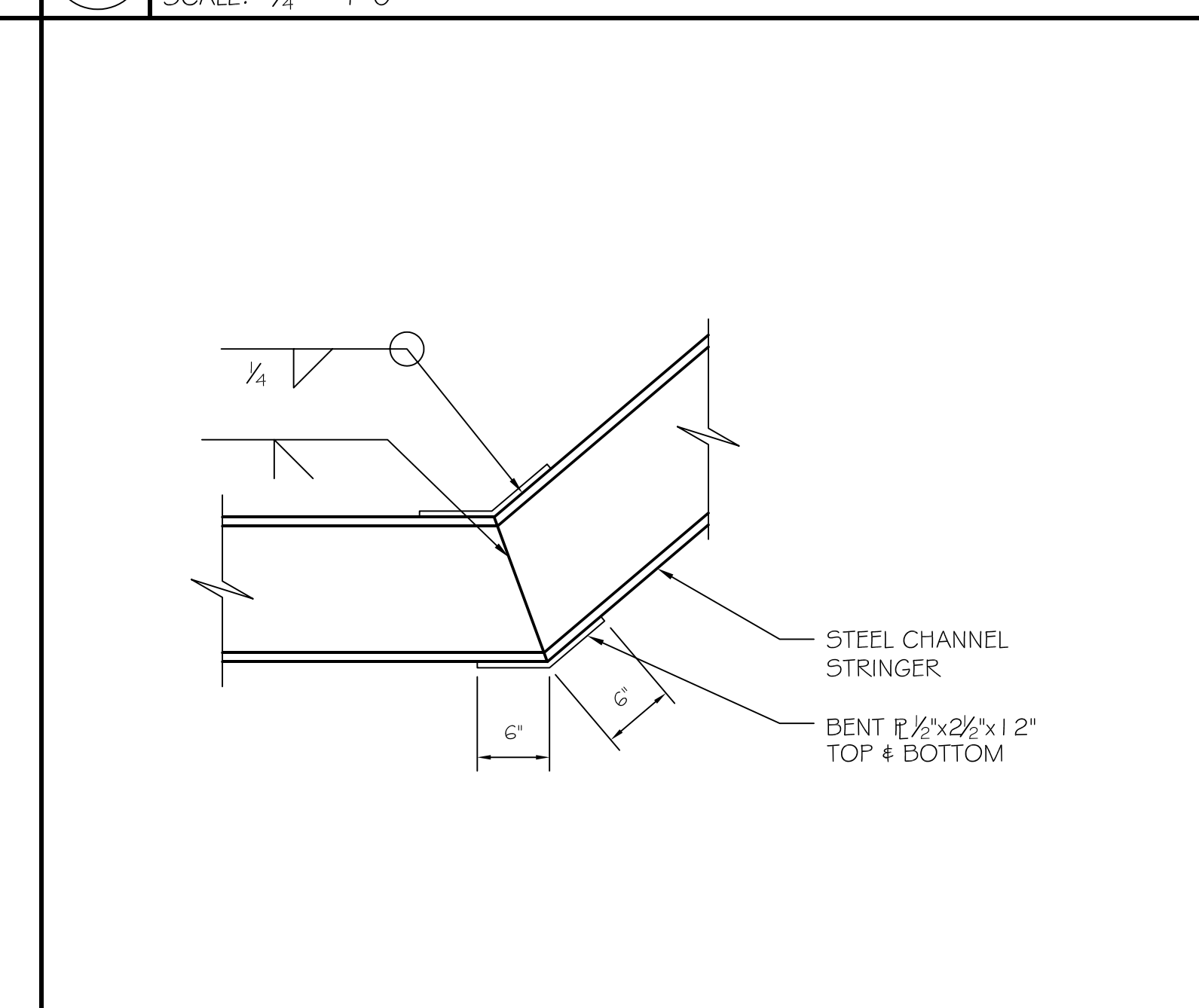
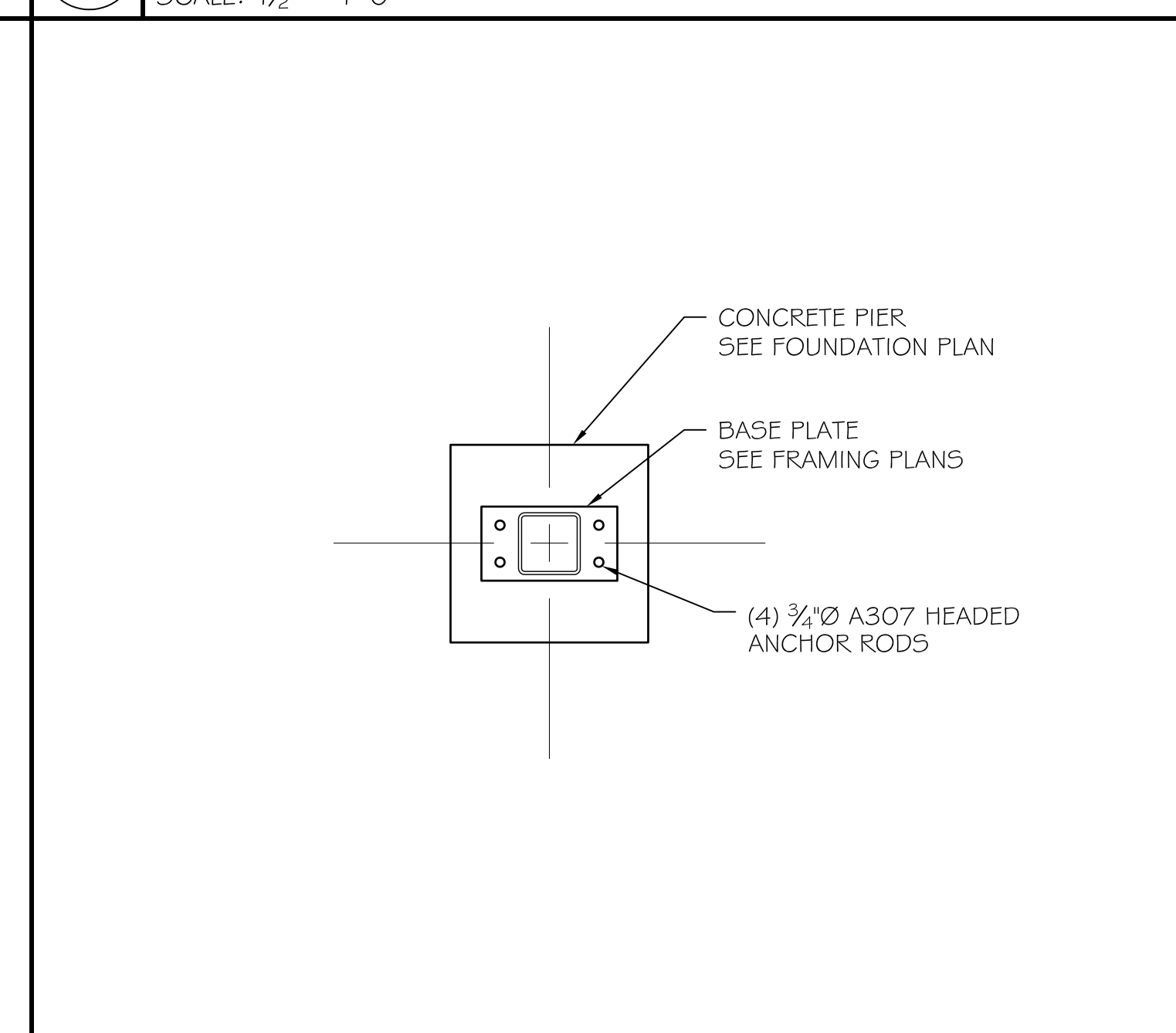
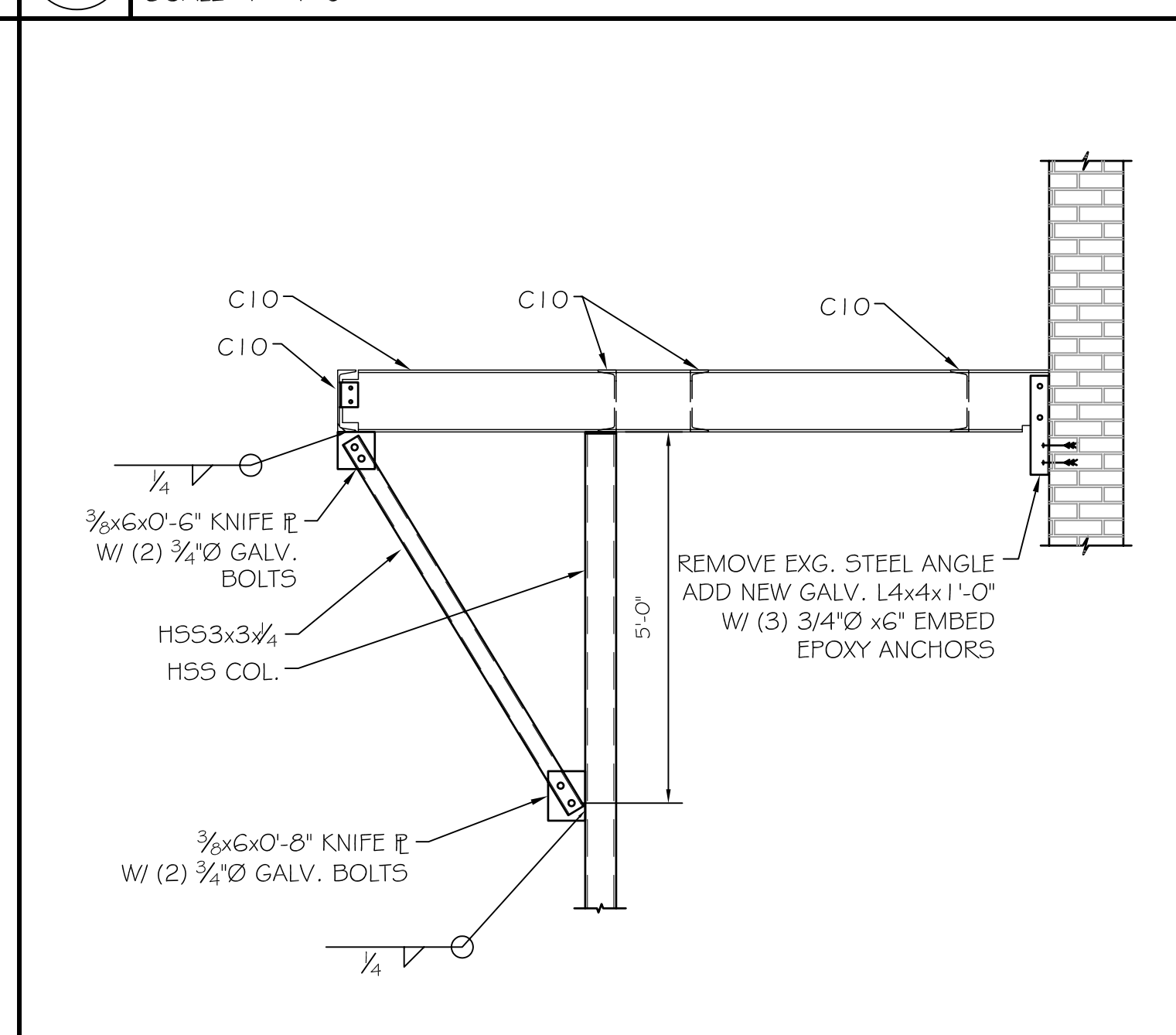
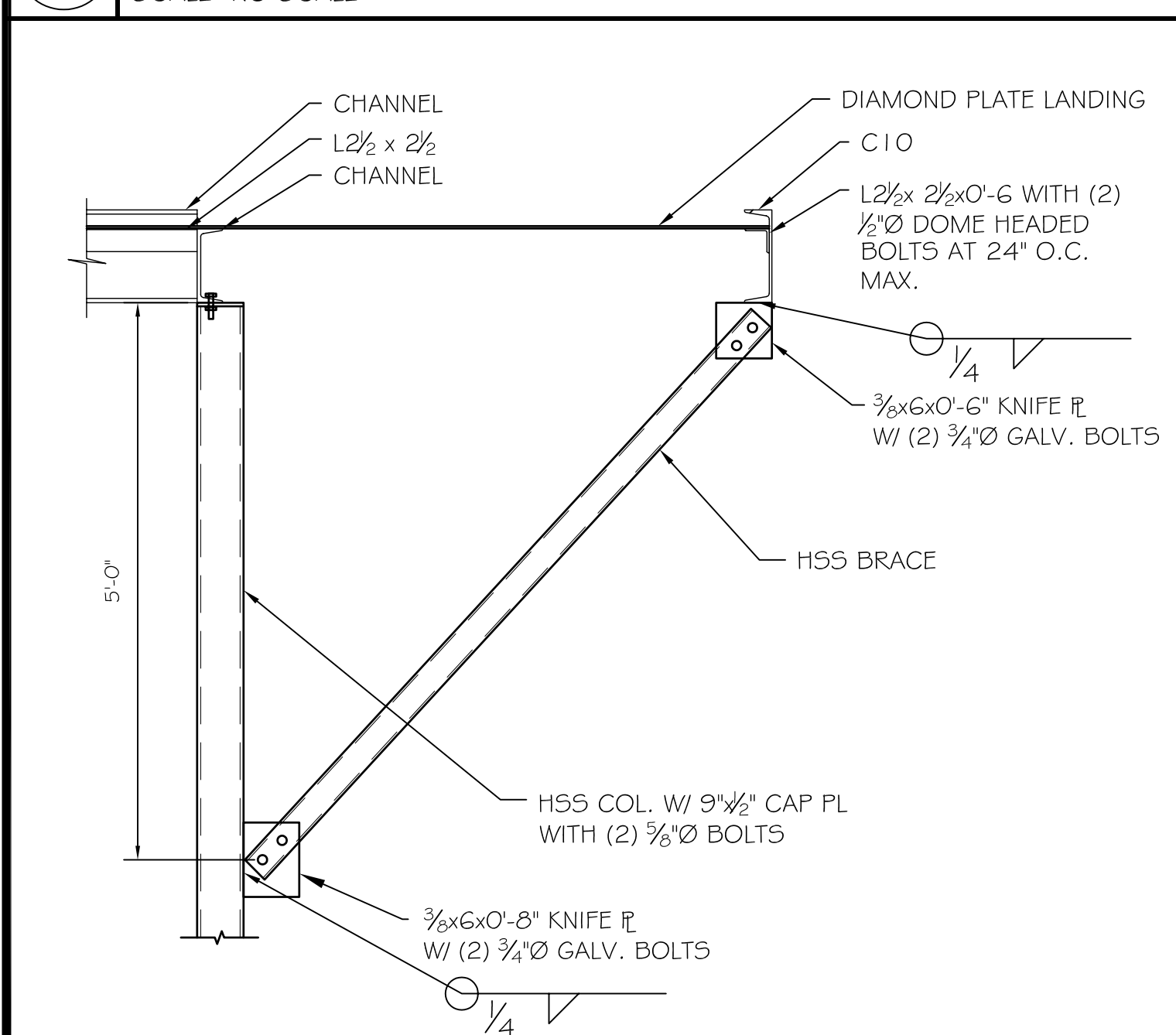


B4 SCALE: NO SCALE

B3 STAIR LANDING CROSS SECTION SCALE: 1"=1'-0"

B2 STUB COLUMN CONNECTION TO CHANNEL SCALE: 1/2" = 1'-0"

B1 STRINGER CONNECTION TO CHANNEL SCALE: 3/4" = 1'-0"



A4 STAIR SECTION SCALE: NO SCALE

A3 STAIR SECTION SCALE: NO SCALE

A2 TYP. COLUMN BASE PLATE SCALE: NO SCALE

A1 SHOP WELDED MOMENT CONNECTION SCALE: 1"=1'-0"