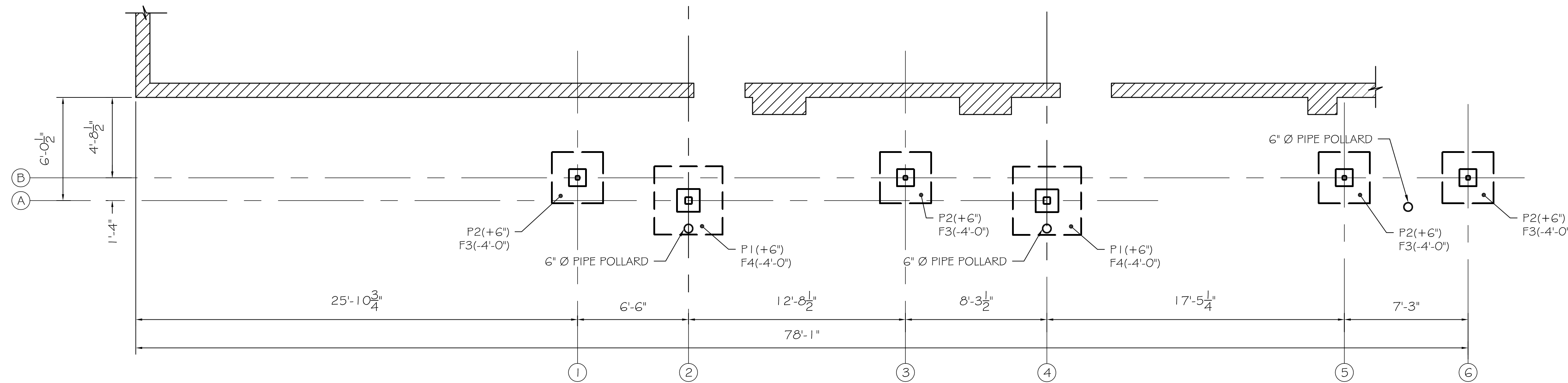


1. TOF INDICATES TOP OF FOOTING
2. TOC INDICATES TOP OF CONCRETE
3. TOP OF CONCRETE AND TOP OF FOOTING ELEVATIONS ARE REFERENCED FROM FINISHED FLOOR ELEVATION = (+0'-0") COORDINATE WITH SITE PLAN.
4. F.F. INDICATES FINISHED FLOOR
5. SEE 5302 FOR GENERAL NOTES & SPECIFICATIONS
6. FOOTINGS ARE CENTERED ON COLUMN GRIDS, UNO.
7. G.C. VERIFY ALL EXISTING DOOR THRESHOLD ELEVATIONS.

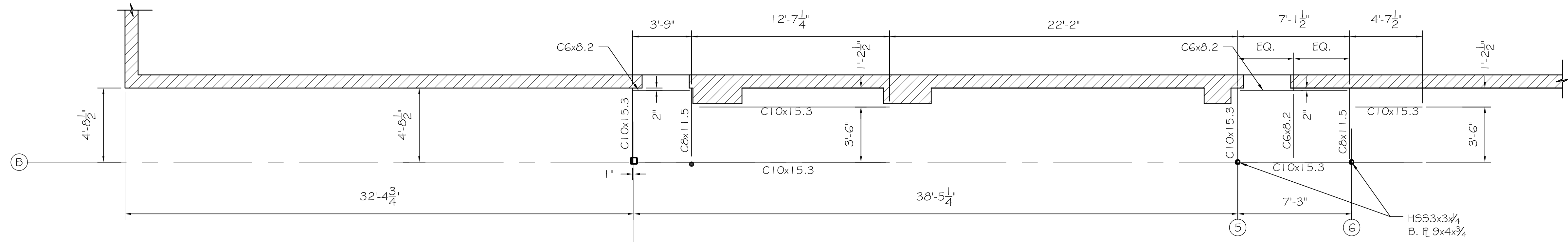


FOOTING SCHEDULE		
MARK	SIZE	BOTTOM REINFORCING
F3	3'-0"x3'-0"x1'0"	(4) #4'S E.W.
F4	4'-0"x4'-0"x1'0"	(5) #4'S E.W.

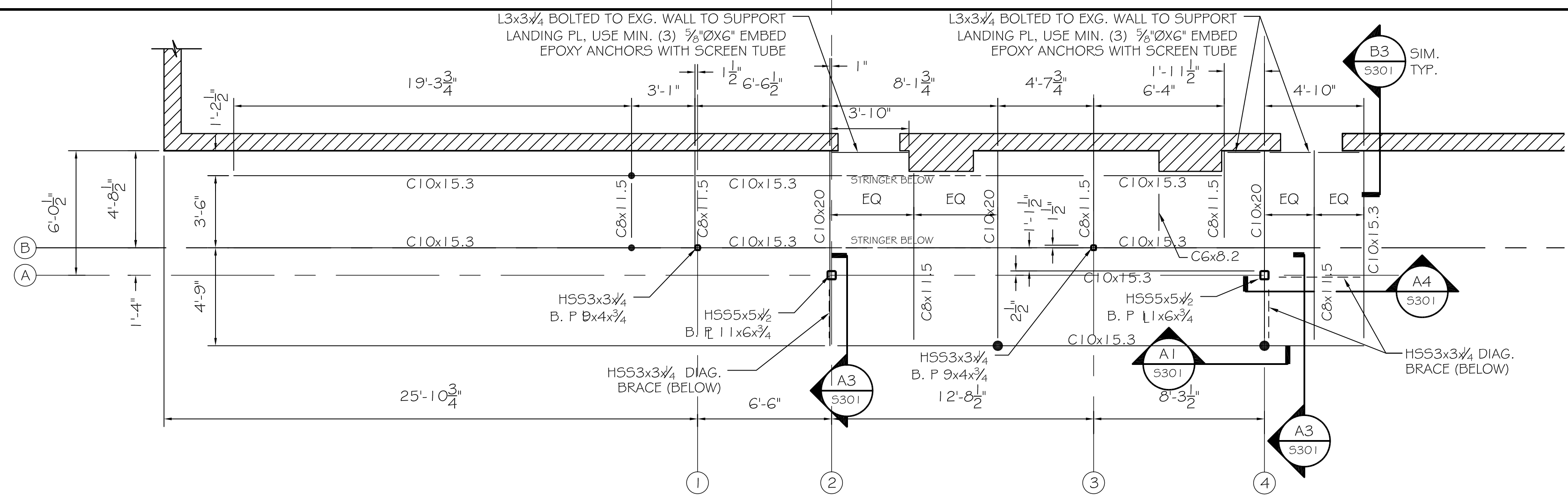
PIER SCHEDULE				
TYPE	SIZE	VERT	TIES	SHAPE
P1	16"x16"	4-#6'S	#4'S AT 12" O.C.	□
P2	12"x12"	4-#5'S	#4'S AT 12" O.C.	□

**C1** HIGH ST. ALLEY REPLACEMENT STAIR FOUNDATION PLAN  
SCALE: 1/4" = 1'-0"

- NOTES:
1. SEE 5302 FOR TYPICAL NOTES AND DETAILS
  2. ALL STEEL MEMBERS TO BE PAINTED BLACK.
  3. FIELD ASSEMBLY TO BE WITH BOLTED CONNECTIONS ONLY - NO FIELD WELDING.
  4. G.C. VERIFY ALL DIMENSIONS PRIOR TO FABRICATION OF STRUCTURAL STEEL.
  5. ● INDICATES MOMENT CONNECTION, SEE DETAIL A1/5301.



**B1** HIGH ST. ALLEY REPLACEMENT STAIR FRAMING PLAN- LOWER LEVEL  
SCALE: 1/4" = 1'-0"



**A1** HIGH ST. ALLEY REPLACEMENT STAIR FRAMING UPPER LEVEL PLAN  
SCALE: 1/4" = 1'-0"

**ASSOCIATED DESIGN PARTNERS INC.**  
Office: (207) 878-1751  
80 Leighton Road, Falmouth, Maine 04105  
Fax: (207) 878-1788  
E-Mail: [adp@adpengineering.com](mailto:adp@adpengineering.com)

THIS DRAWING, DESIGN AND ELECTRONIC FILE ARE THE PROPERTY OF ASSOCIATED DESIGN PARTNERS, INC. THE REPRODUCTION, COPYING OR ANY OTHER USE OF THIS DOCUMENT WITHOUT WRITTEN CONSENT IS PROHIBITED.

PROJECT: **STATE THEATER**  
**609 CONGRESS ST, PORTLAND ME**  
FOR: GRANT WILSON  
SHEET TITLE: **HIGH ST. ALLEY REPLACEMENT FIRE ESCAPE FOUNDATION AND FRAMING PLANS**

NO.	BY	DESCRIPTION	DATE
1	ASW	ISSUED FOR PRICING	3/8/08
2	ASW	ISSUED FOR FIRE MARSHALL REVIEW	4/7/08
3	ASW	ISSUED FOR PERMITTING	

DATE : 03-08-06  
SCALE : AS NOTED  
DESIGN BY: ASW  
DRAWN BY: RC  
FILE #: 05247-S101.DWG  
PROJECT NUMBER:  
**05247**  
SHEET NO:  
**S101**