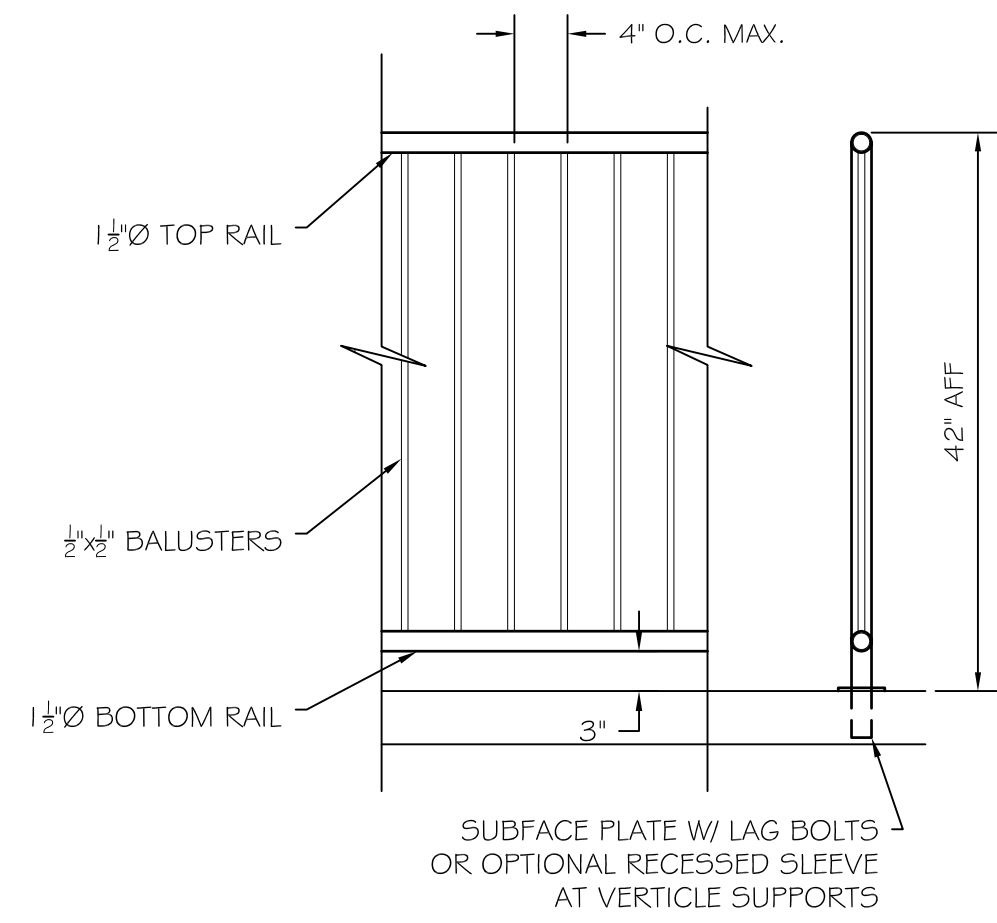


NOTE: 1 1/2" INTERMEDIATE VERTICLE SUPPORTS AT 6'-0" O.C. MAX.

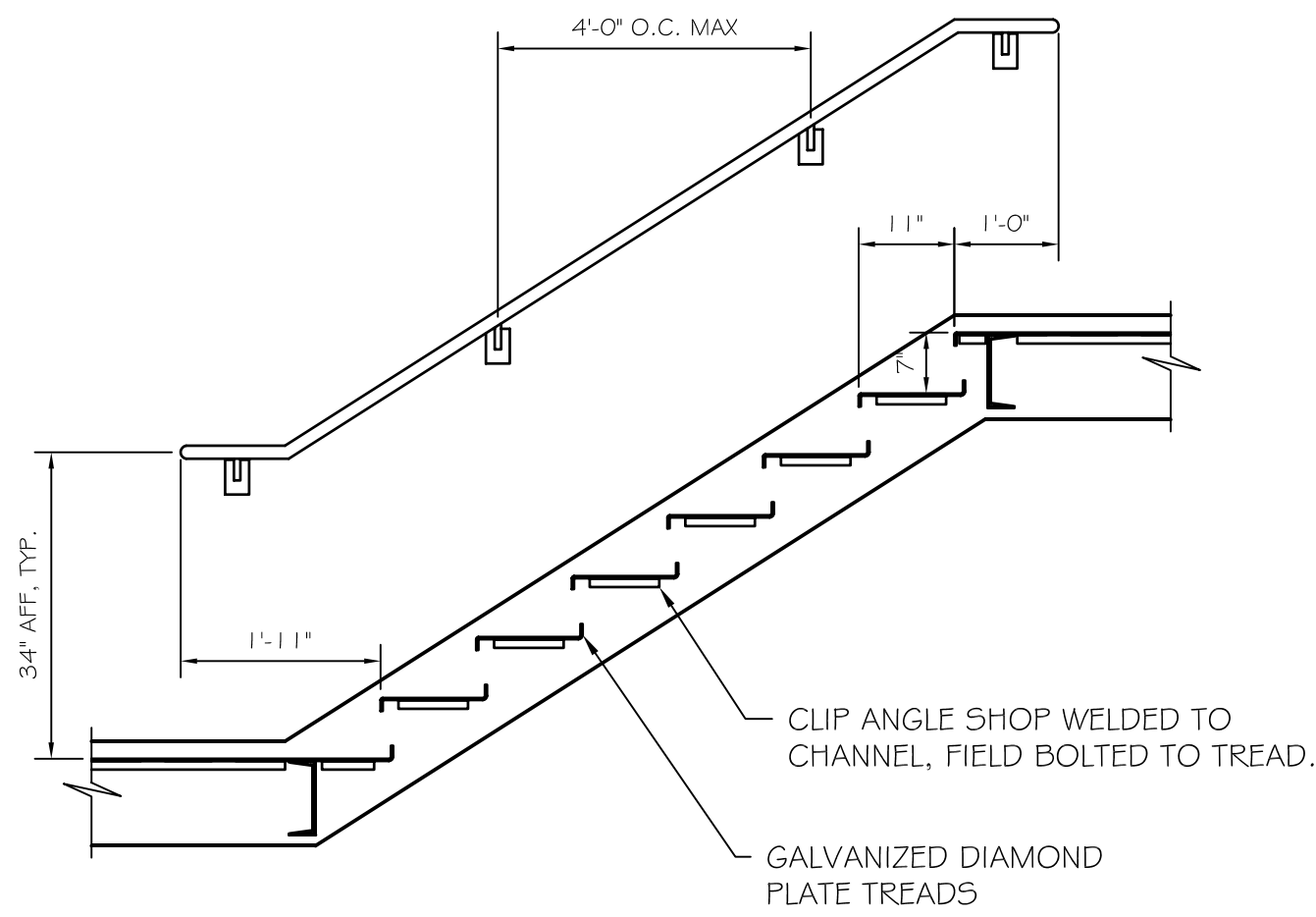
SUBFACE PLATE W/ LAG BOLTS OR OPTIONAL RECESSED SLEEVE AT VERTICLE SUPPORTS



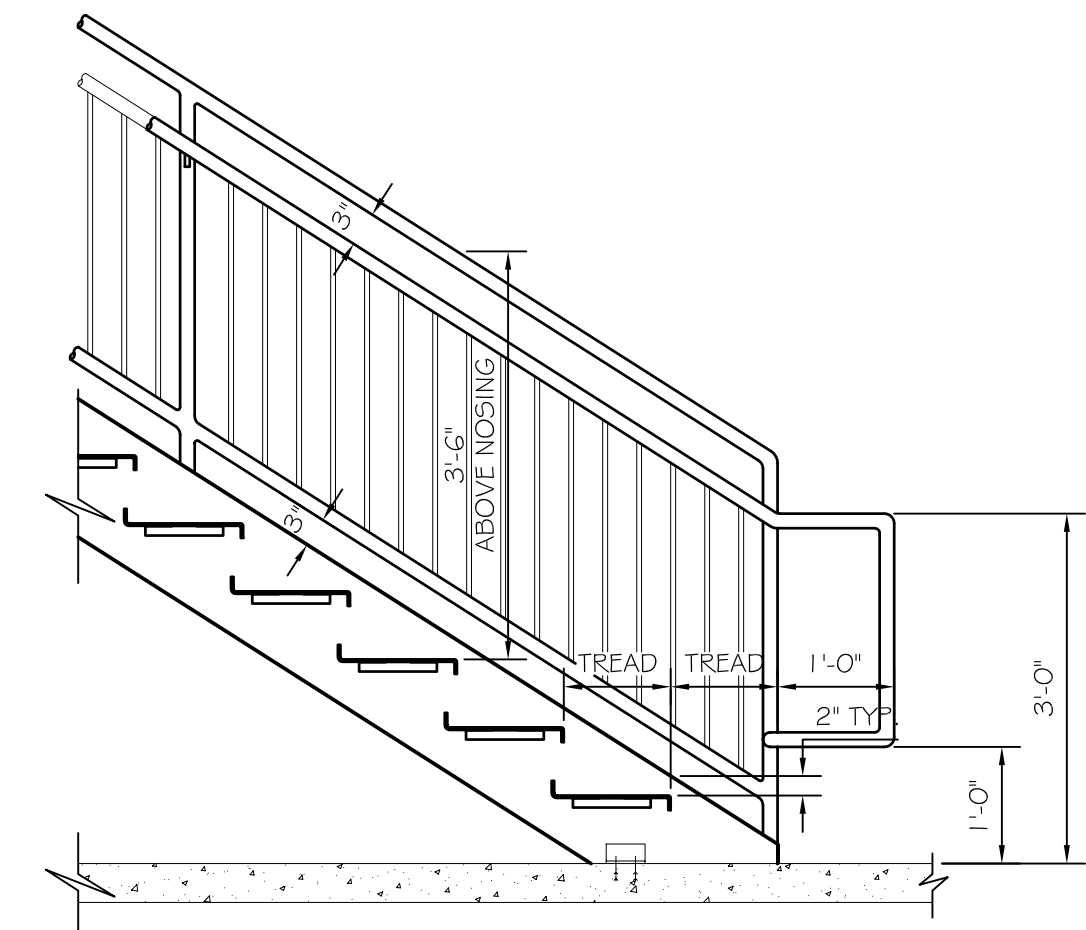
NOTE: 1 1/2" INTERMEDIATE VERTICLE SUPPORTS AT 6'-0" O.C. MAX.

SUBFACE PLATE W/ LAG BOLTS OR OPTIONAL RECESSED SLEEVE AT VERTICLE SUPPORTS

NOTES:
STAIR DETAIL AS ALLOWED BY
NFPA 7.2.8.4.1 2003 ED.



CLIP ANGLE SHOP WELDED TO CHANNEL, FIELD BOLTED TO TREAD.
GALVANIZED DIAMOND PLATE TREADS



C4 TYPICAL GUARDRAIL / HANDRAIL

SCALE: NO SCALE

C3 TYPICAL GUARDRAIL

SCALE: NO SCALE

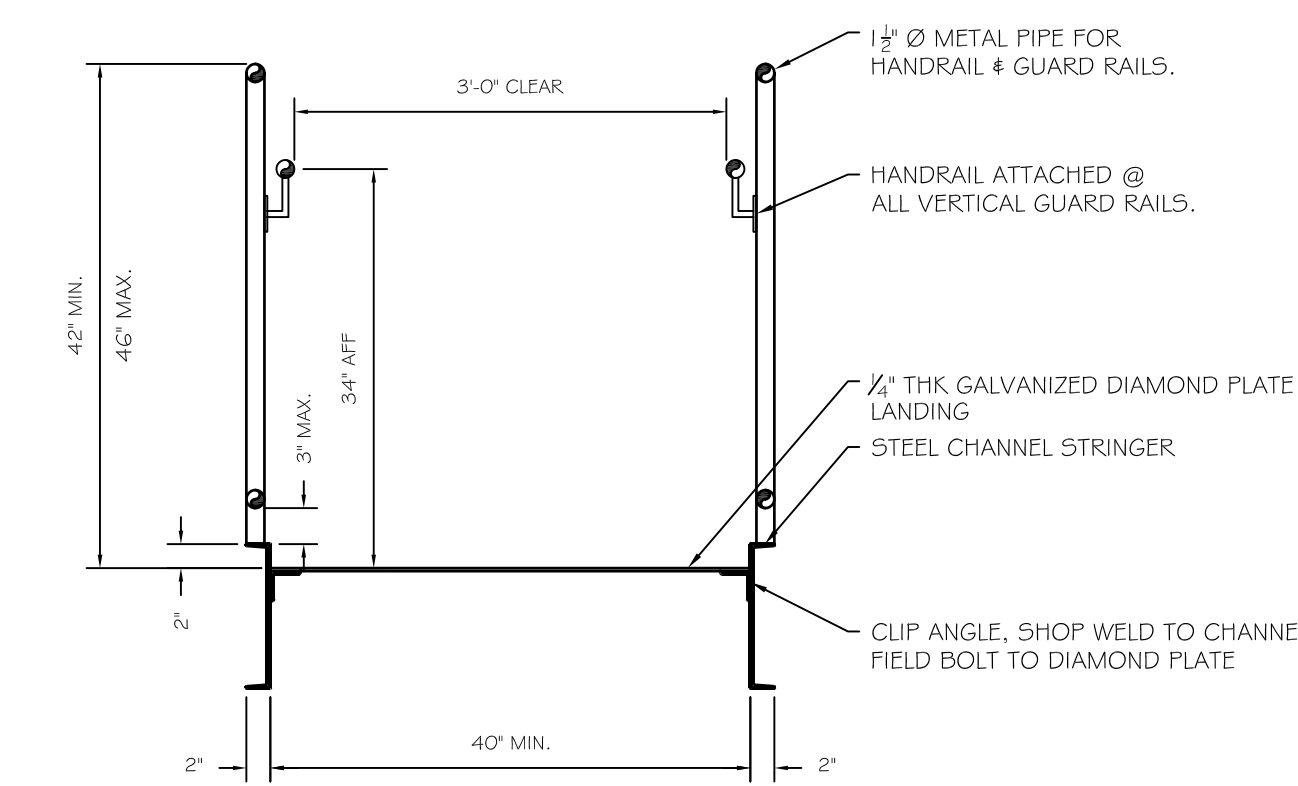
C2 TYP REPLACEMENT STAIR W/ WALL MOUNTED HANDRAIL

SCALE: NO SCALE

C1 TYPICAL BOTTOM OF STAIR DETAIL

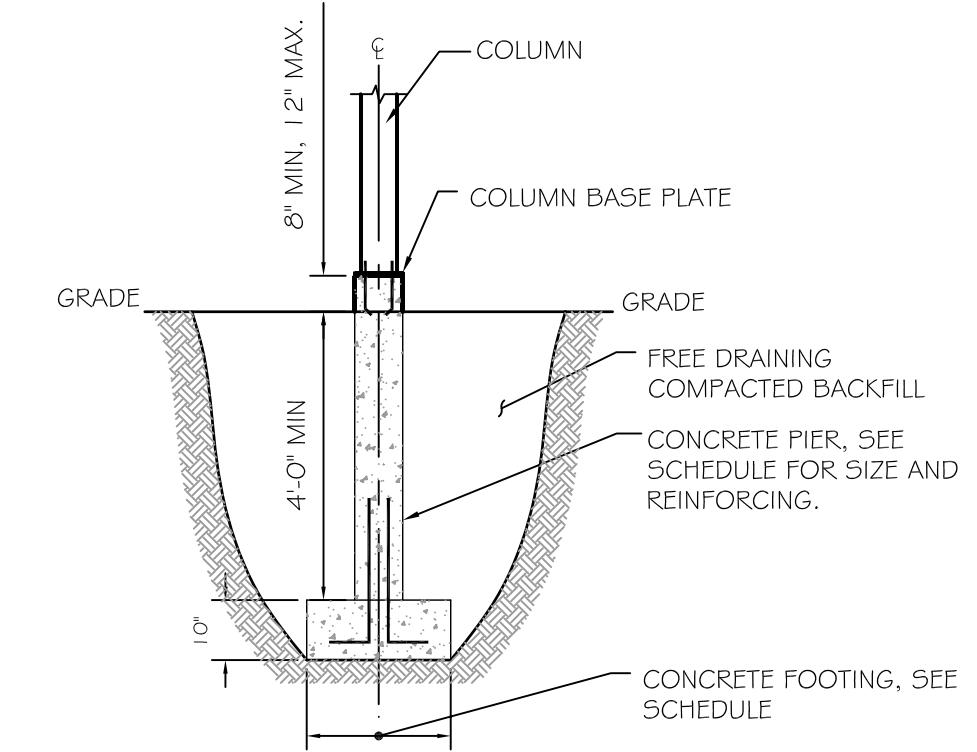
SCALE: NO SCALE

TYPICAL STAIR AND LANDING DETAILS, GUARDRAIL / HANDRAIL DETAILS, AND EGRESS NOTES DEPICTED ON THESE PLANS USED UNDER THE PERMISSION OF GRANT-HAYS ARCHITECTS, PO Box 6179 28 Oak Ridge Way Falmouth, ME 04105



B2 STAIR LANDING CROSS SECTION

SCALE: NO SCALE



B1 TYPICAL CONCRETE PIER AT COLUMN

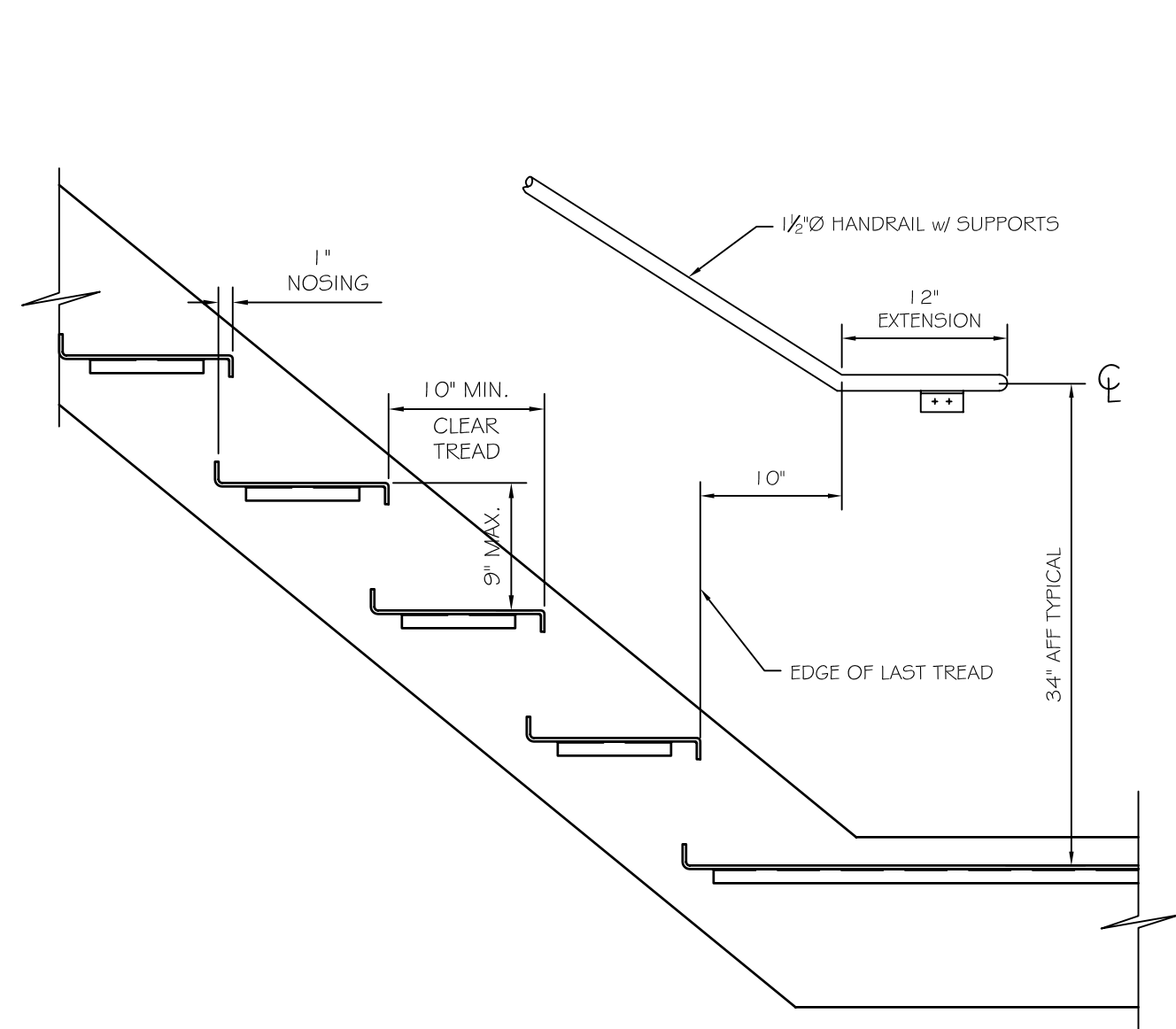
SCALE: NO SCALE

B4

SCALE: NO SCALE

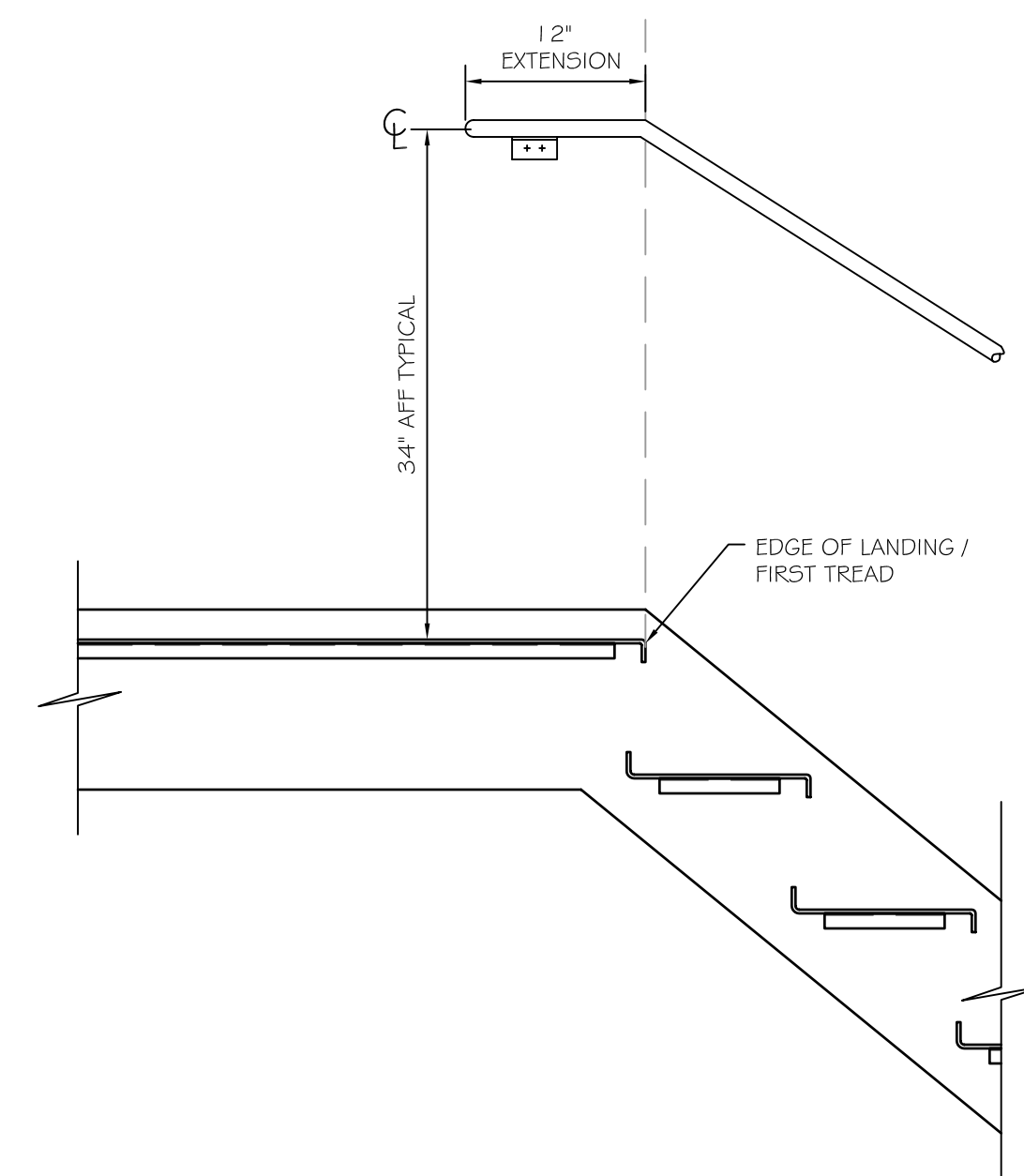
B3 NOTE

SCALE: 1"=1'-0"



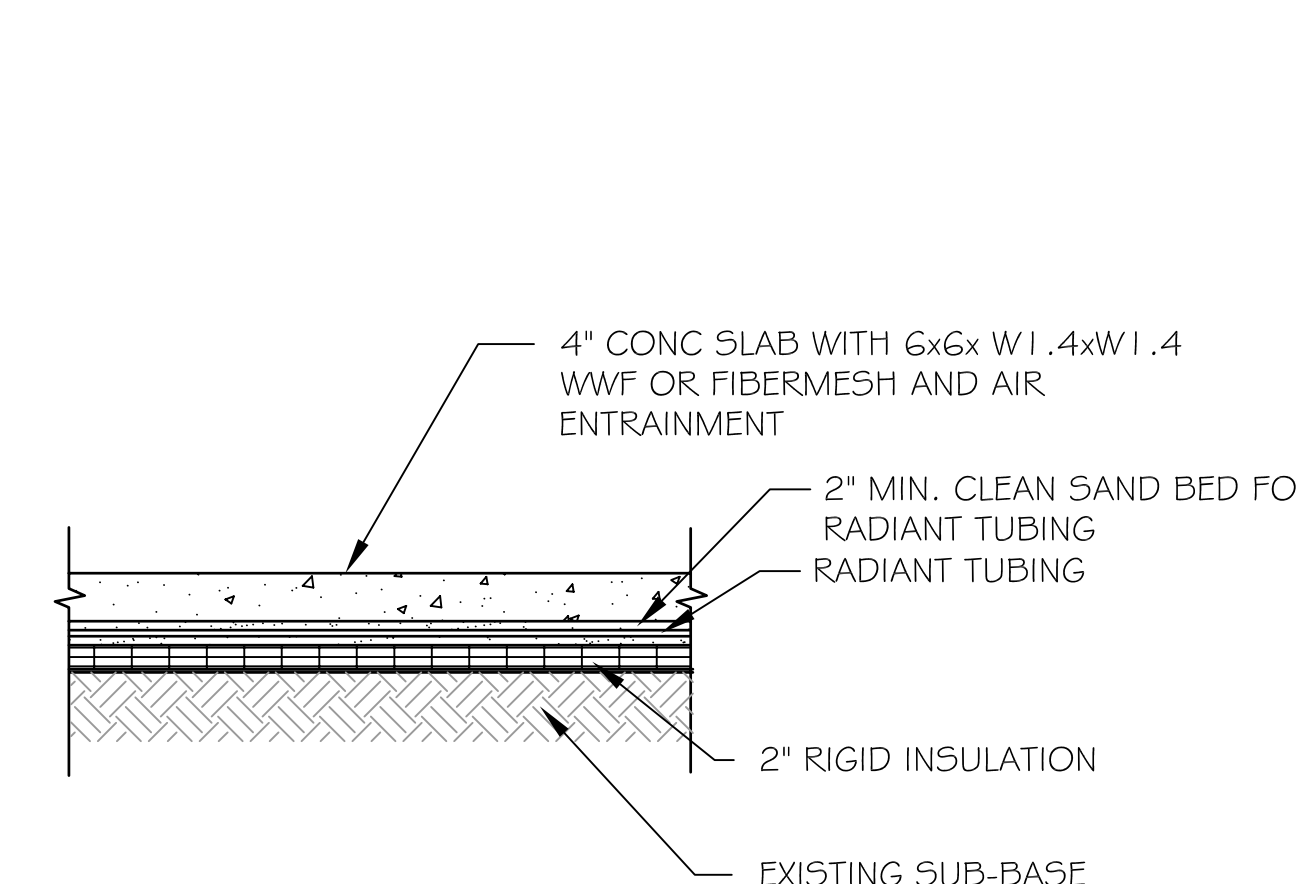
A4 TYP WALL MOUNTED HANDRAIL EXTENSION AT BOTTOM

SCALE: NO SCALE



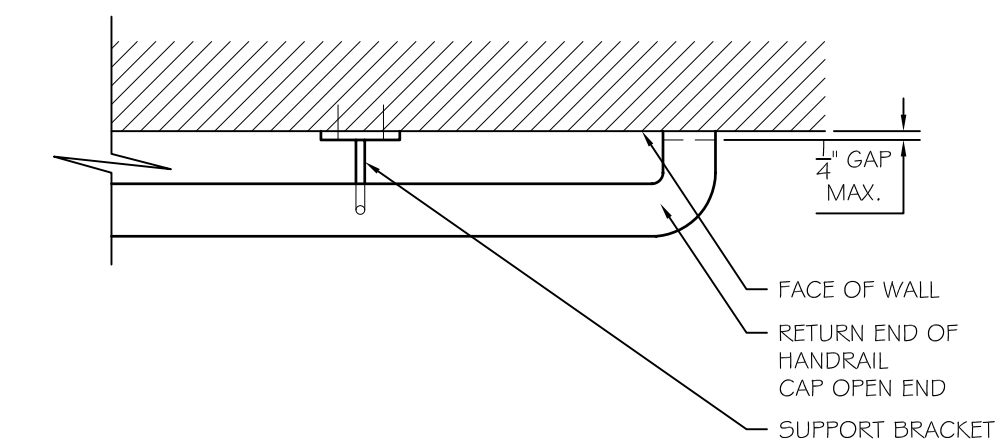
A3 TYP WALL MOUNTED HANDRAIL EXTENSION AT TOP

SCALE: NO SCALE



A2 ALTERNATE #1 - NEW HEATED CONCRETE SLAB

SCALE: NO SCALE



A1 WALL MOUNTED HANDRAIL RETURN

SCALE: NO SCALE

ASSOCIATED DESIGN PARTNERS INC.

Office: (207) 878-1751
Falmouth, Maine 04105
Fax: (207) 878-1788
E-Mail: adp@adpengineering.com

THIS DRAWING, DESIGN AND ELECTRONIC FILE ARE THE PROPERTY OF ASSOCIATED DESIGN PARTNERS, INC. THE REPRODUCTION, COPYING OR ANY OTHER USE OF THIS DOCUMENT WITHOUT WRITTEN CONSENT IS PROHIBITED.

PROJECT: STATE THEATER
609 CONGRESS ST. PORTLAND ME
FOR: GRANT WILSON

SHEET TITLE: REPLACEMENT FIRE ESCAPE STAIR NOTES AND DETAILS

REVISIONS	DATE	DESCRIPTION
1	3/8/08	ISSUED FOR PRICING
2	4/7/08	ISSUED FOR PERMITTING
3		ISSUED FOR FIRE MARSHALL REVIEW

DATE : 03-08-06
SCALE : AS NOTED
DESIGN BY: ASW
DRAWN BY: NR
FILE #: 05247-A301.DWG
PROJECT NUMBER:
05247
SHEET NO:
A301