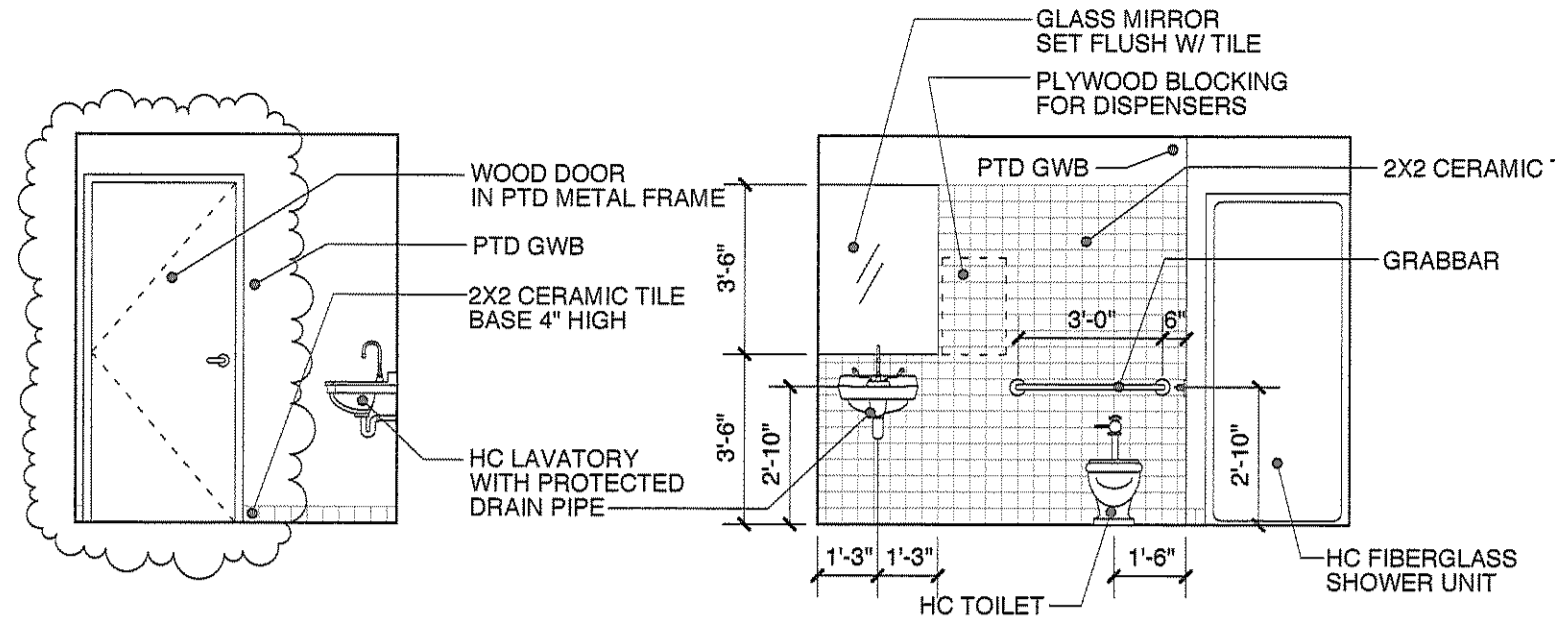


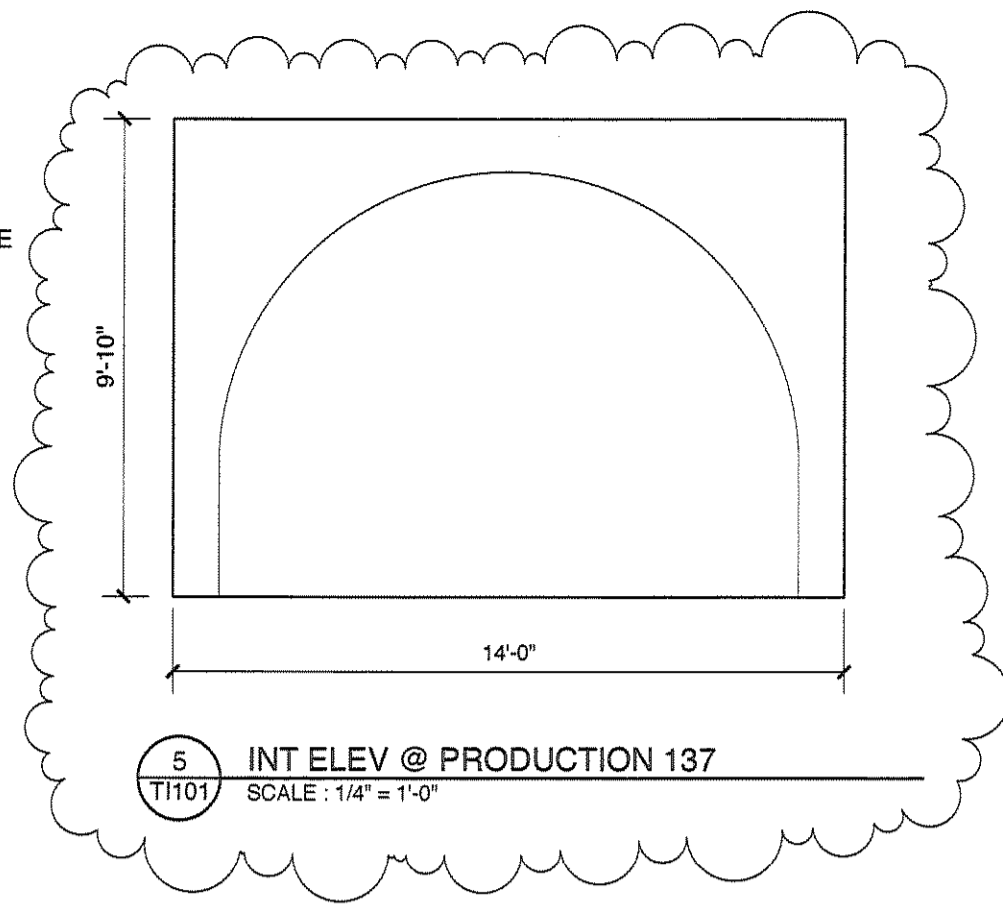
1 INT ELEV @ MEN'S 124 (WOMEN'S 125 SIM)
T1101 SCALE: 1/4" = 1'-0"

2 OMITTED
T1101 SCALE: NO SCALE

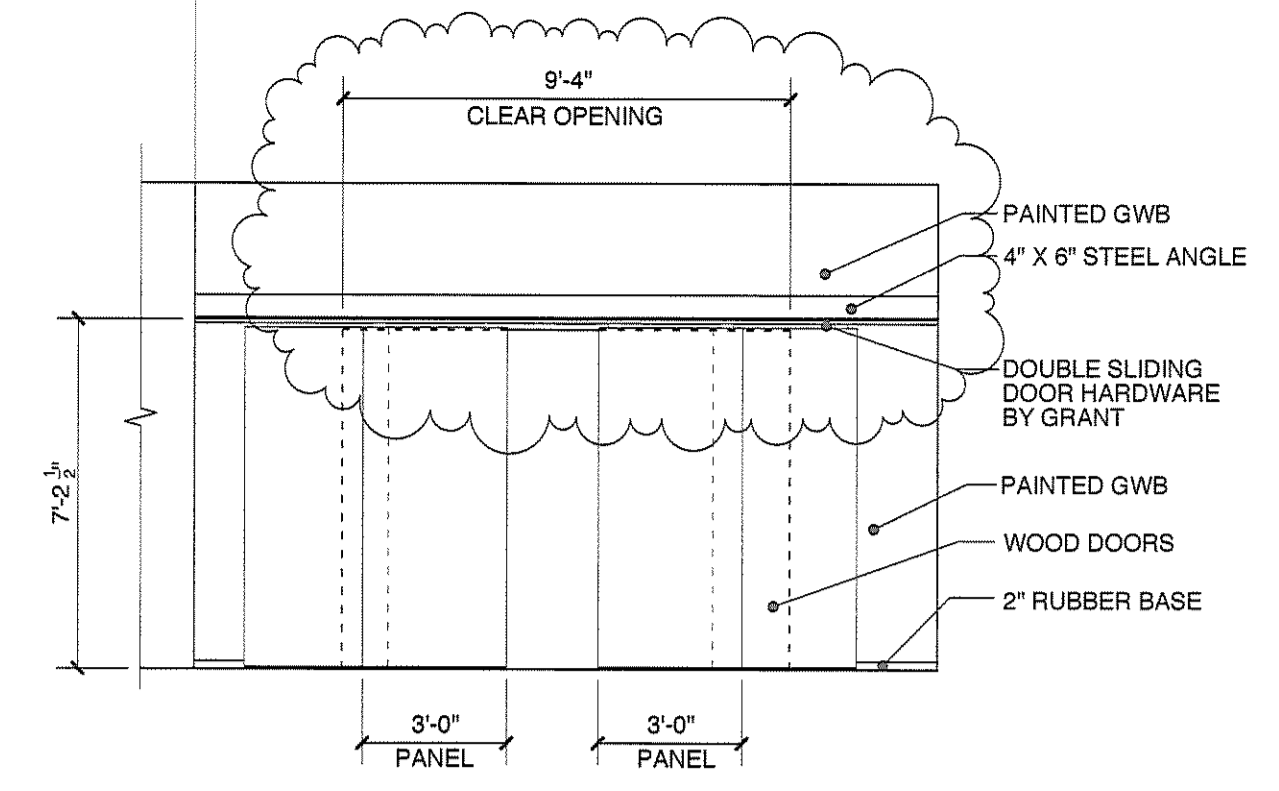


3 INT ELEV @ MEN'S 124 (WOMEN'S 125 SIM)
T1101 SCALE: 1/4" = 1'-0"

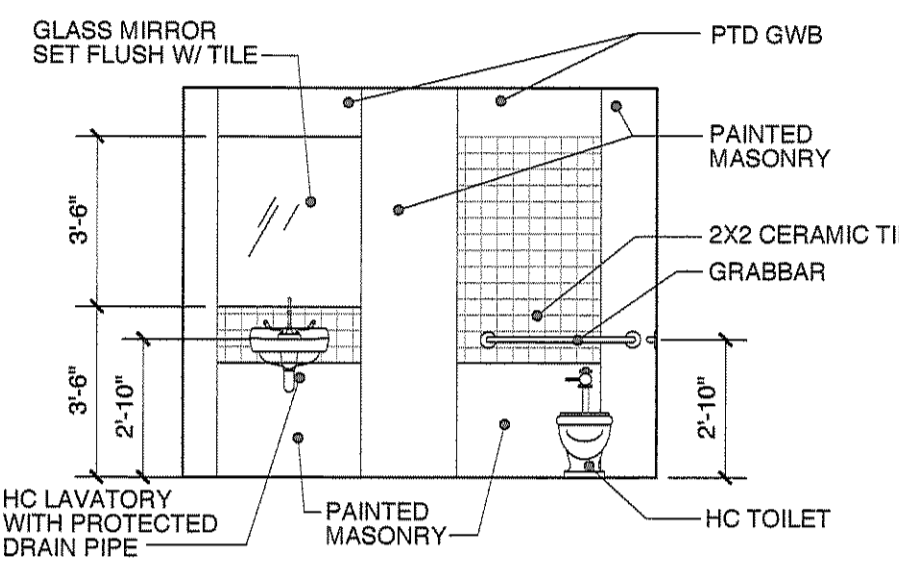
4 INT ELEV @ MEN'S 124 (WOMEN'S 125 SIM)
T1101 SCALE: 1/4" = 1'-0"



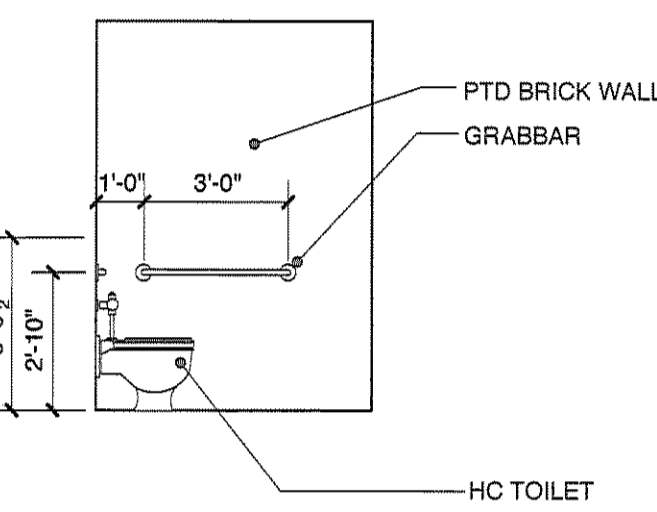
5 INT ELEV @ PRODUCTION 137
T1101 SCALE: 1/4" = 1'-0"



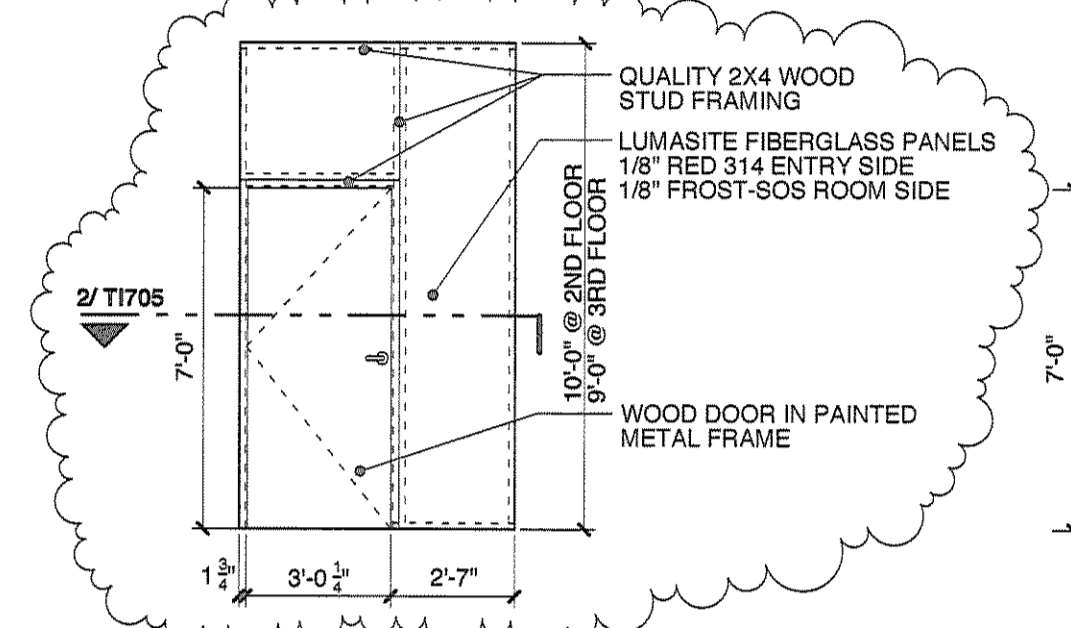
6 INT ELEV @ WAITING 204
T1102 SCALE: 1/4" = 1'-0"



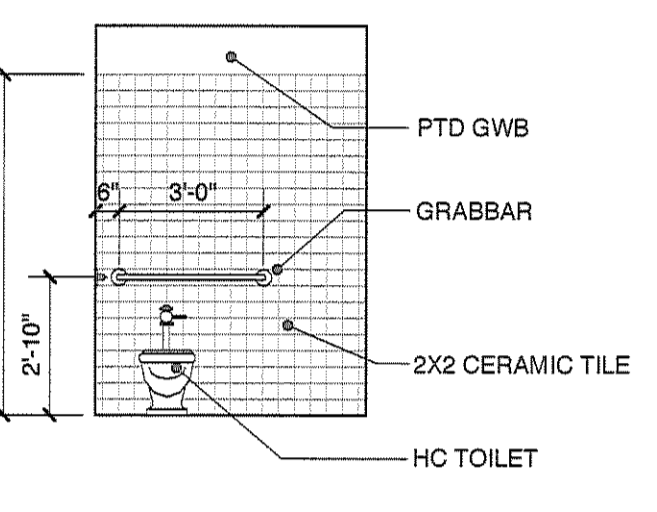
7 INT ELEV @ WOMEN'S 205
T1102 SCALE: 1/4" = 1'-0"



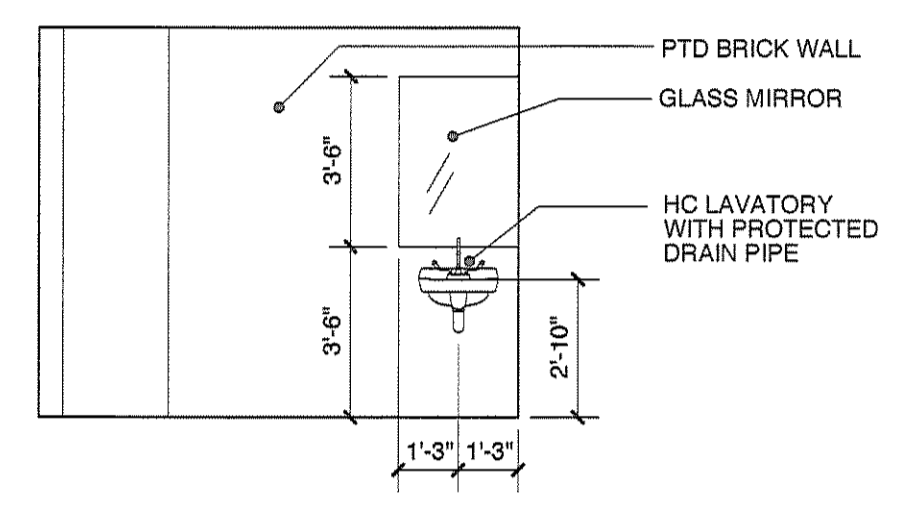
8 INT ELEV @ WOMEN'S 205
T1102 SCALE: 1/4" = 1'-0"



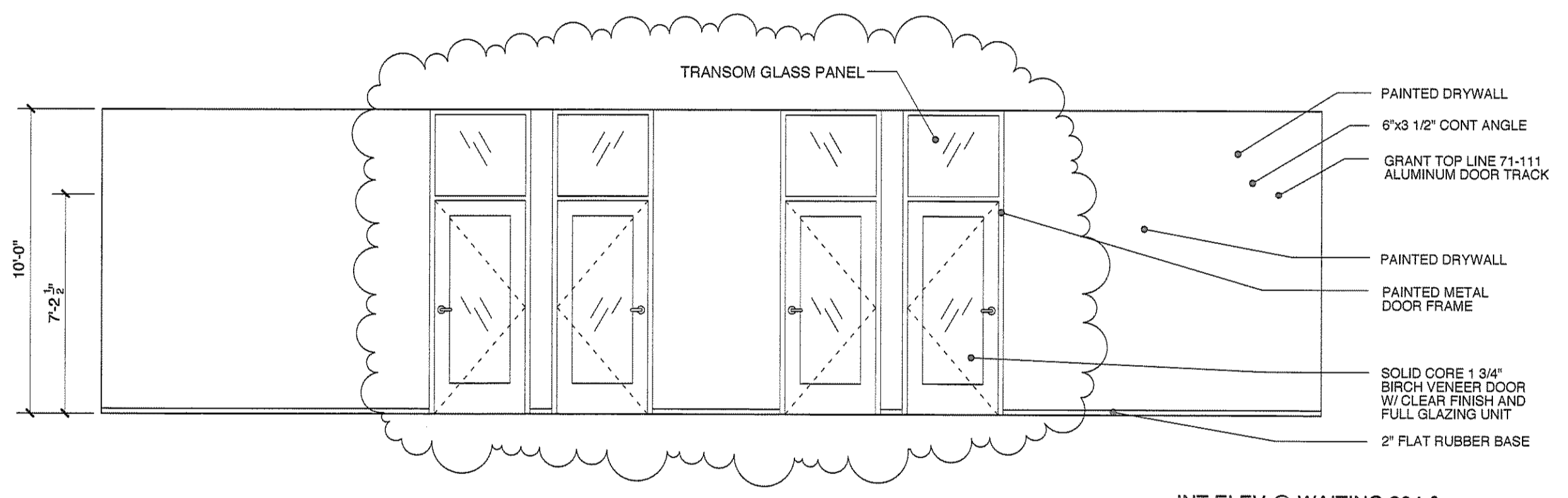
9 INT ELEV @ CORRIDORS 206 & 305
T1102 SCALE: 1/4" = 1'-0" (SEE 20/T1604 FOR SCREW PATTERN, TYP.)



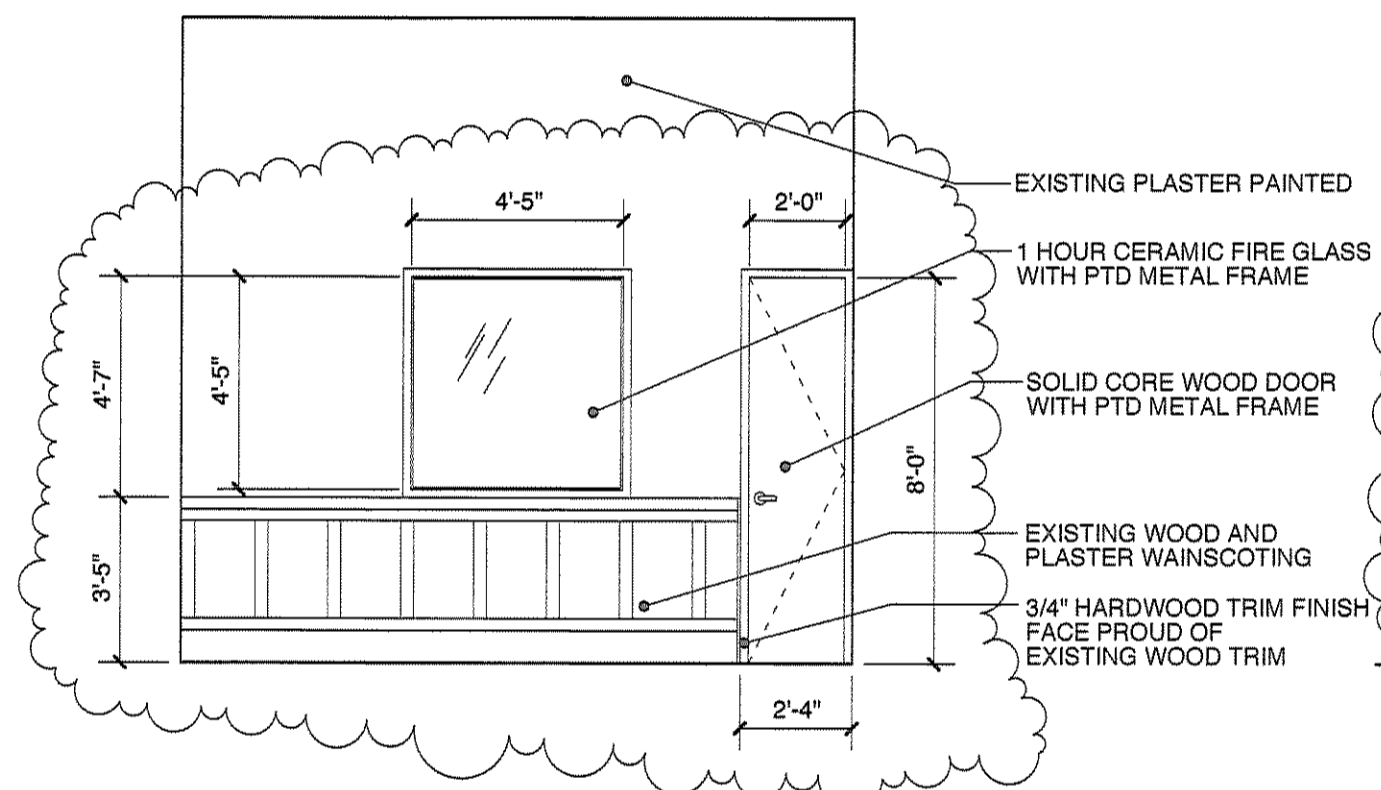
10 INT ELEV @ MEN'S 208
T1102 SCALE: 1/4" = 1'-0"



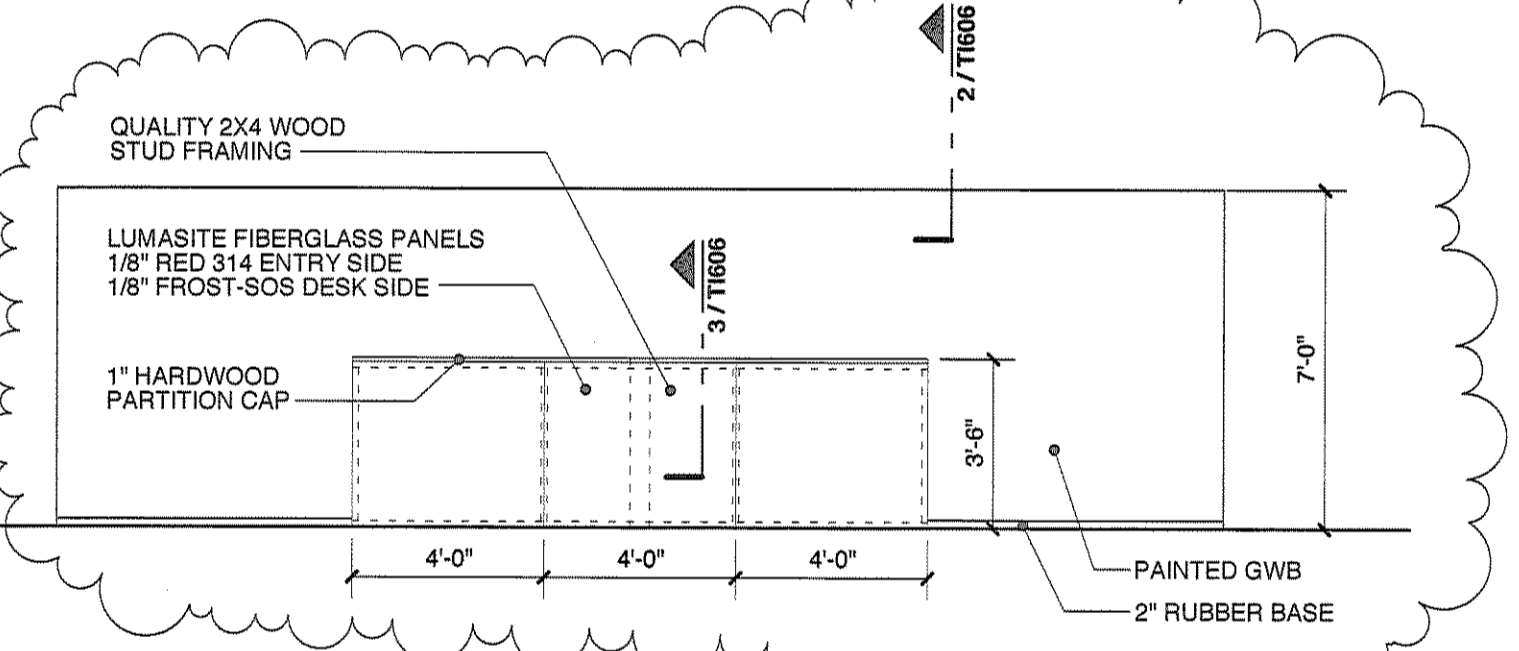
11 INT ELEV @ MEN'S 208
T1102 SCALE: 1/4" = 1'-0"



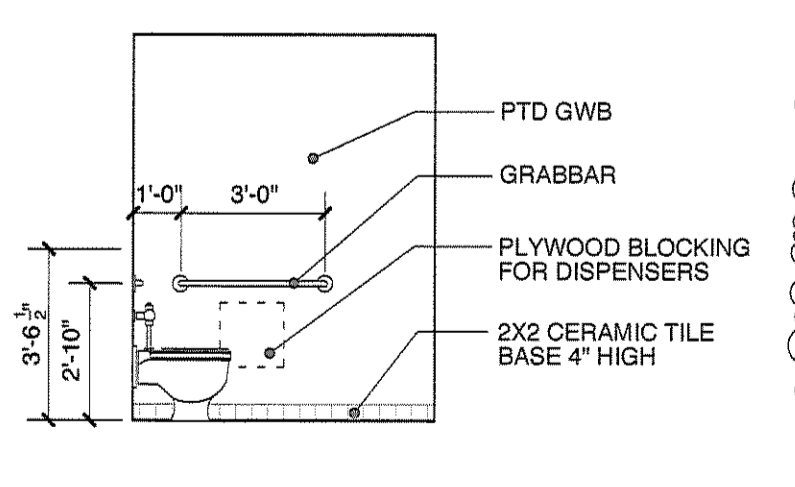
12 INT ELEV @ WAITING 204 & WORK STATIONS 306
T1102 SCALE: 1/4" = 1'-0"



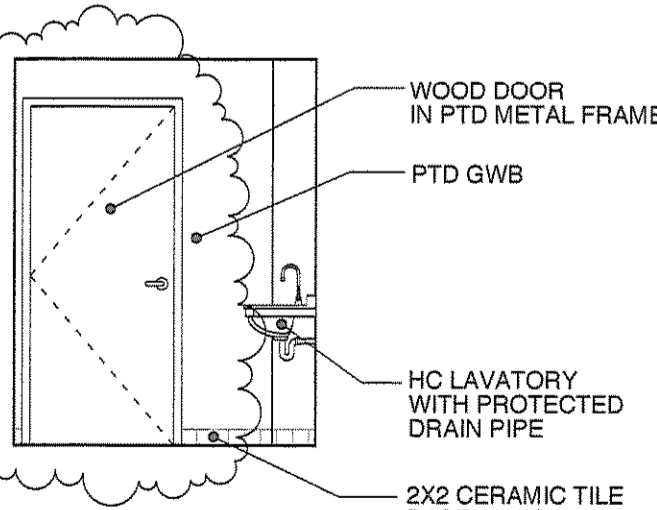
13 INT ELEV @ STAIR 3 330
T1103 SCALE: 1/4" = 1'-0"



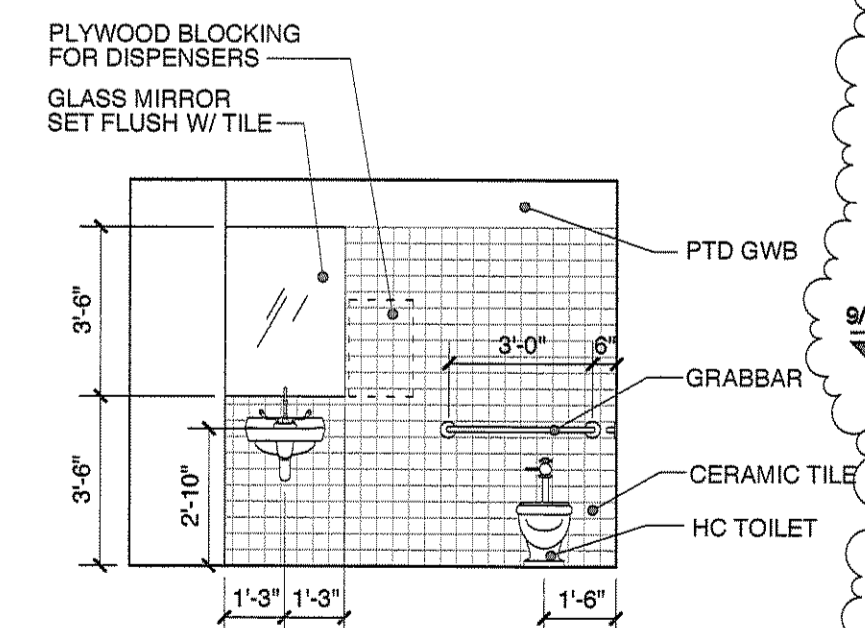
14 INT ELEV @ WORK STATIONS 337
T1103 SCALE: 1/4" = 1'-0"



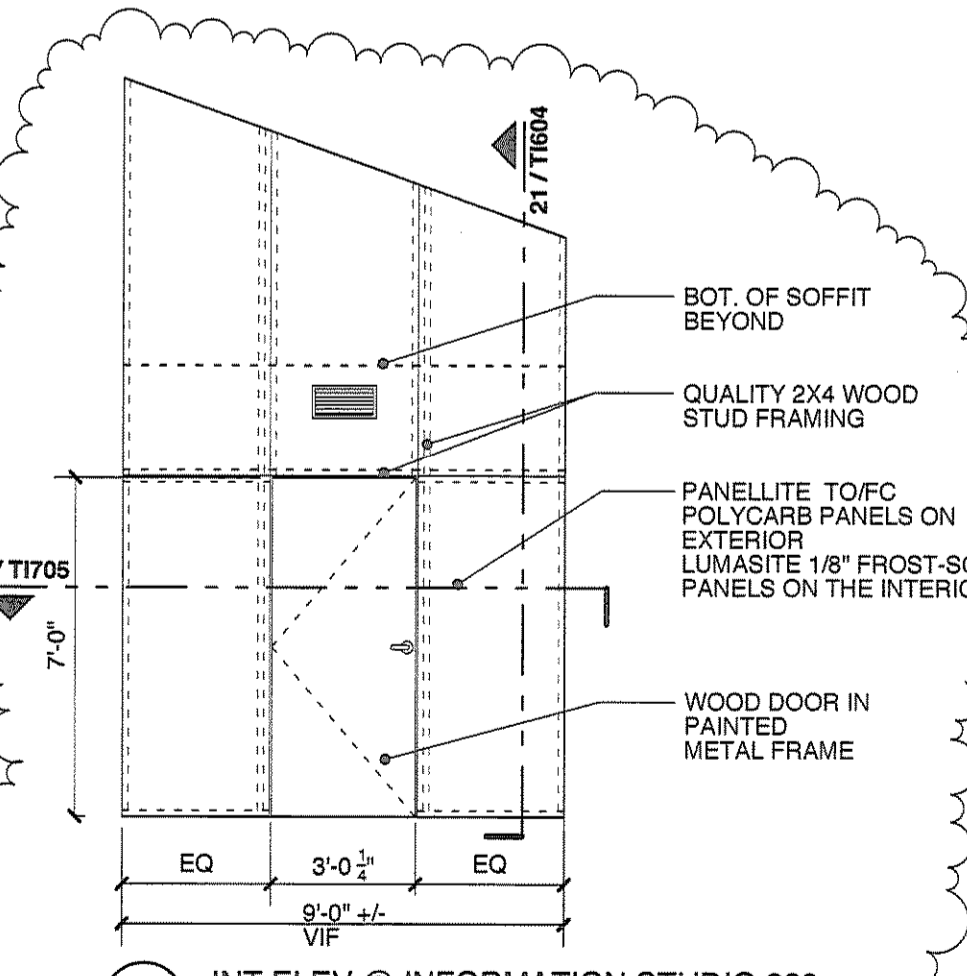
15 INT ELEV @ MEN'S 345 (WOMEN'S 344 OPP)
T1103 SCALE: 1/4" = 1'-0"



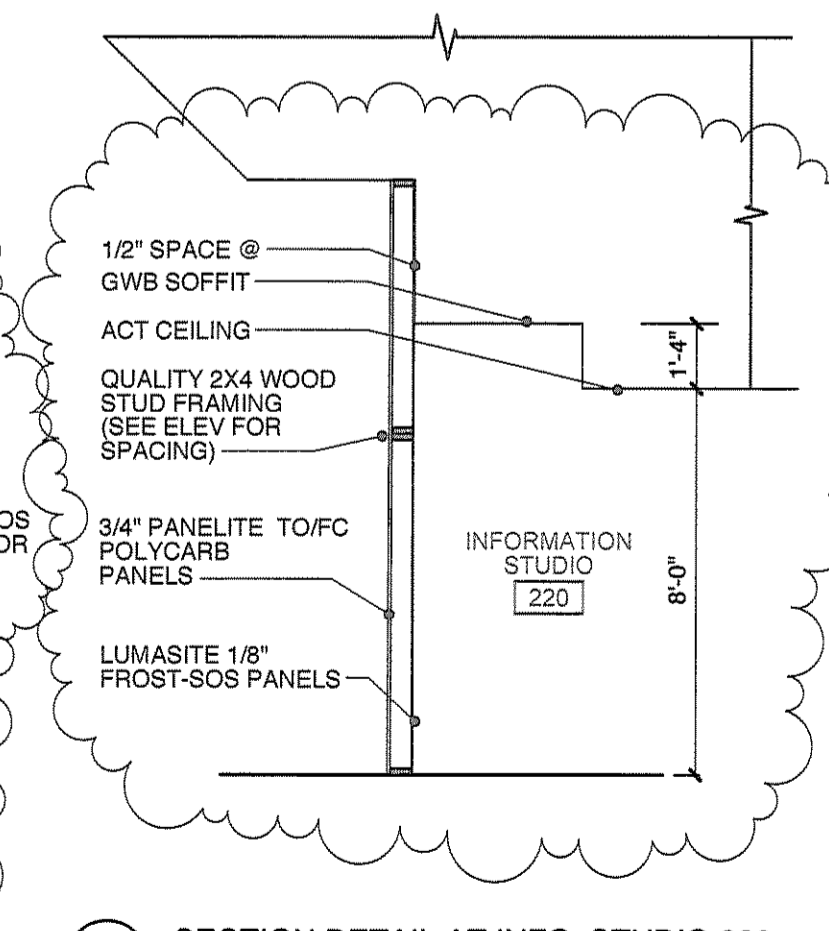
17 INT ELEV @ MEN'S 345 (WOMEN'S 344 OPP)
T1103 SCALE: 1/4" = 1'-0"



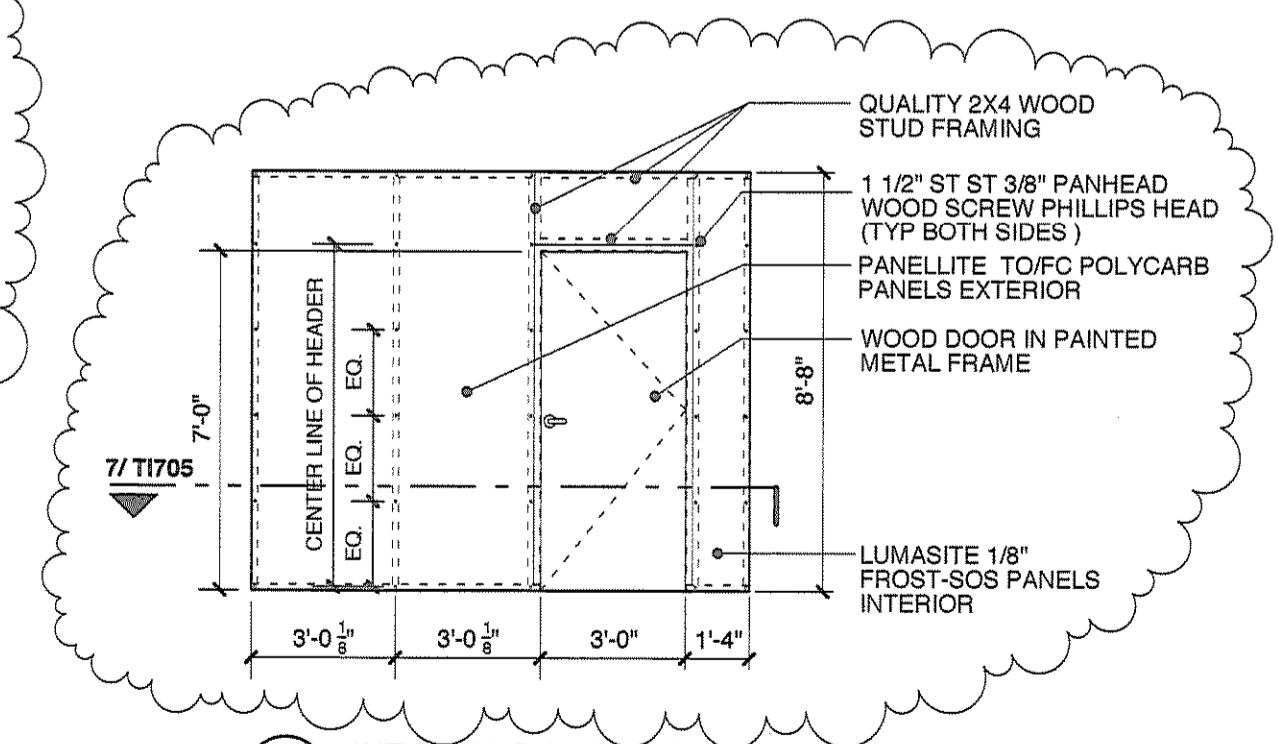
18 INT ELEV @ MEN'S 345 (WOMEN'S 344 OPP)
T1103 SCALE: 1/4" = 1'-0"



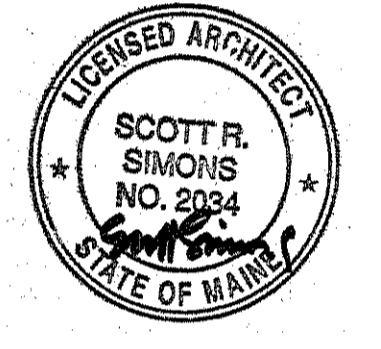
19 INT ELEV @ INFORMATION STUDIO 220
T1102 SCALE: 1/4" = 1'-0" (SEE 20/T1604 FOR SCREW PATTERN)



20A SECTION DETAIL AT INFO. STUDIO 220
T1103 SCALE: 1/4" = 1'-0"



20 INT ELEV @ PRODUCTION STUDIO 320
T1103 SCALE: 1/4" = 1'-0"



SSA
Scott Simons Architects
75 York Street
Portland, Maine 04101
tel 207 772 4656
fax 207 629 4668
web www.scottsimonsarchitects.com

THIS DRAWING IS THE PROPERTY OF SCOTT SIMONS ARCHITECTS AND IS NOT TO BE COPIED OR REPRODUCED IN PART OR WHOLE.

PROJECT
via
Baxter Library Interior Fit Up
CONGRESS STREET
PORTLAND, ME

TITLE
INTERIOR ELEVATIONS

STATUS:
CONSTRUCTION DOCUMENTS
ISSUED FOR PERMITTING

DATE: 08.31.2009
SCALE: AS NOTED
PROJECT NO. 2009-0050
DRAWN BY:

REVISION / DATE:
ESTIMATING REVISION: APPLY TO ALL REVISION CLOUDS
09.08.2009

2008 © Scott Simons Architects

DWG NO. **TI-604**