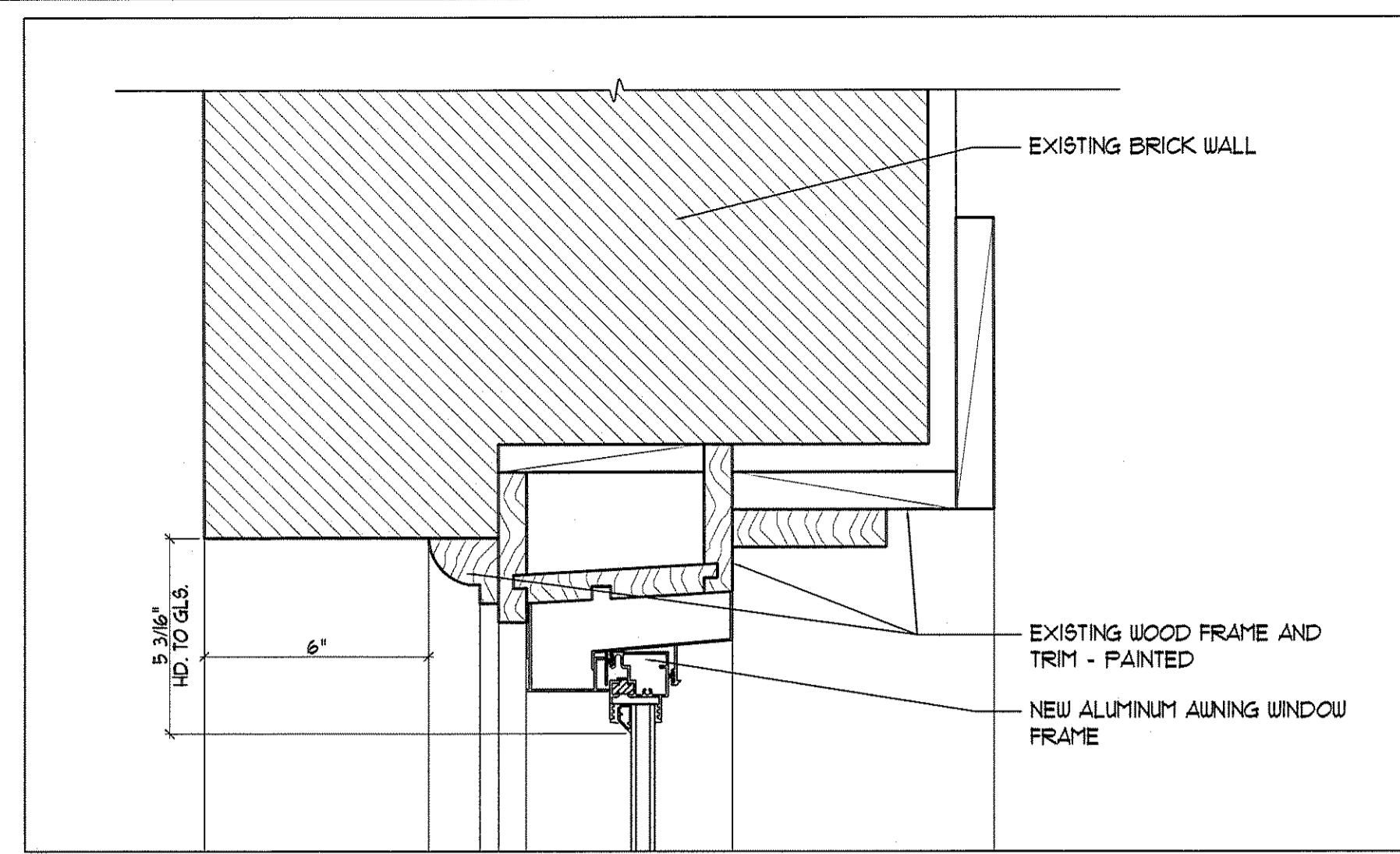
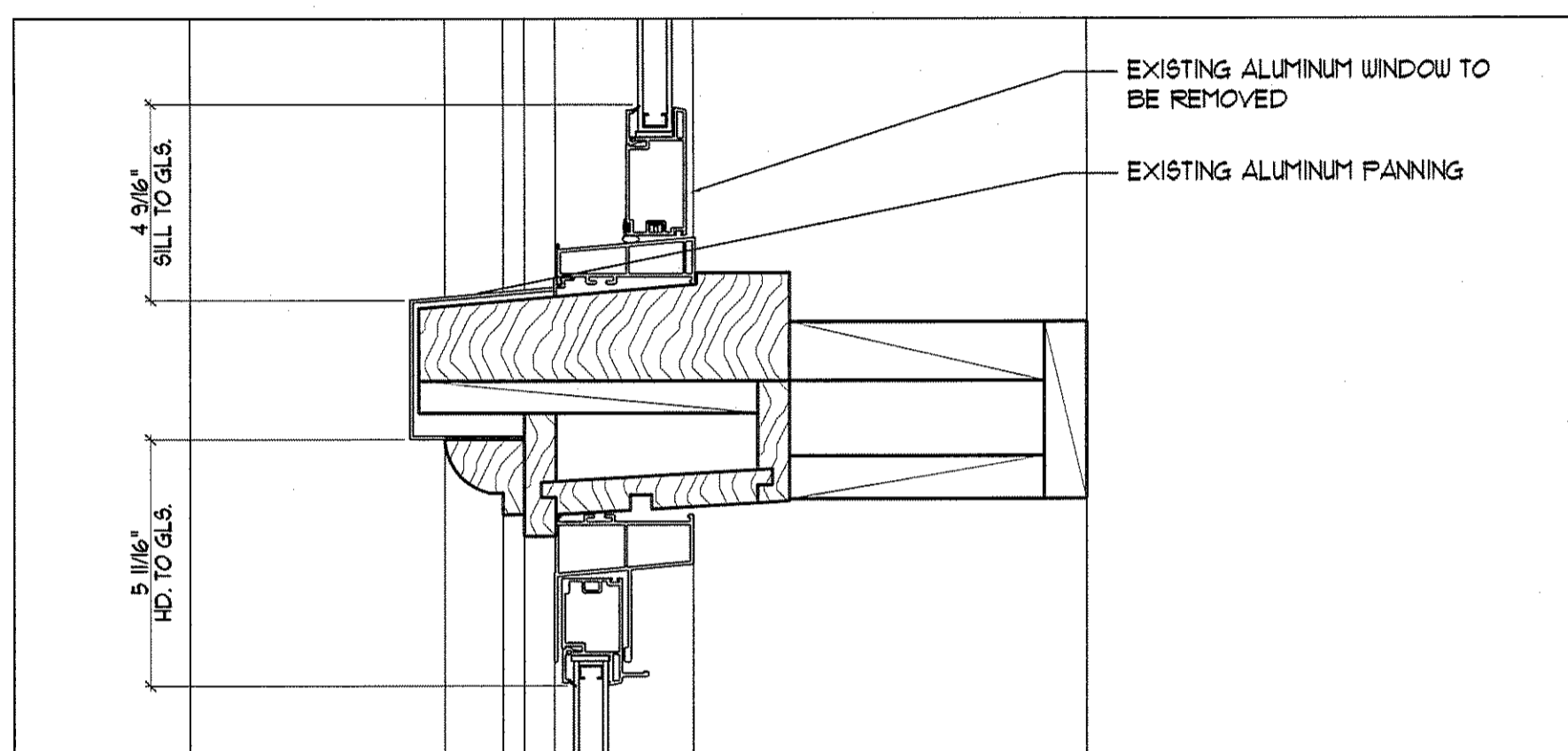


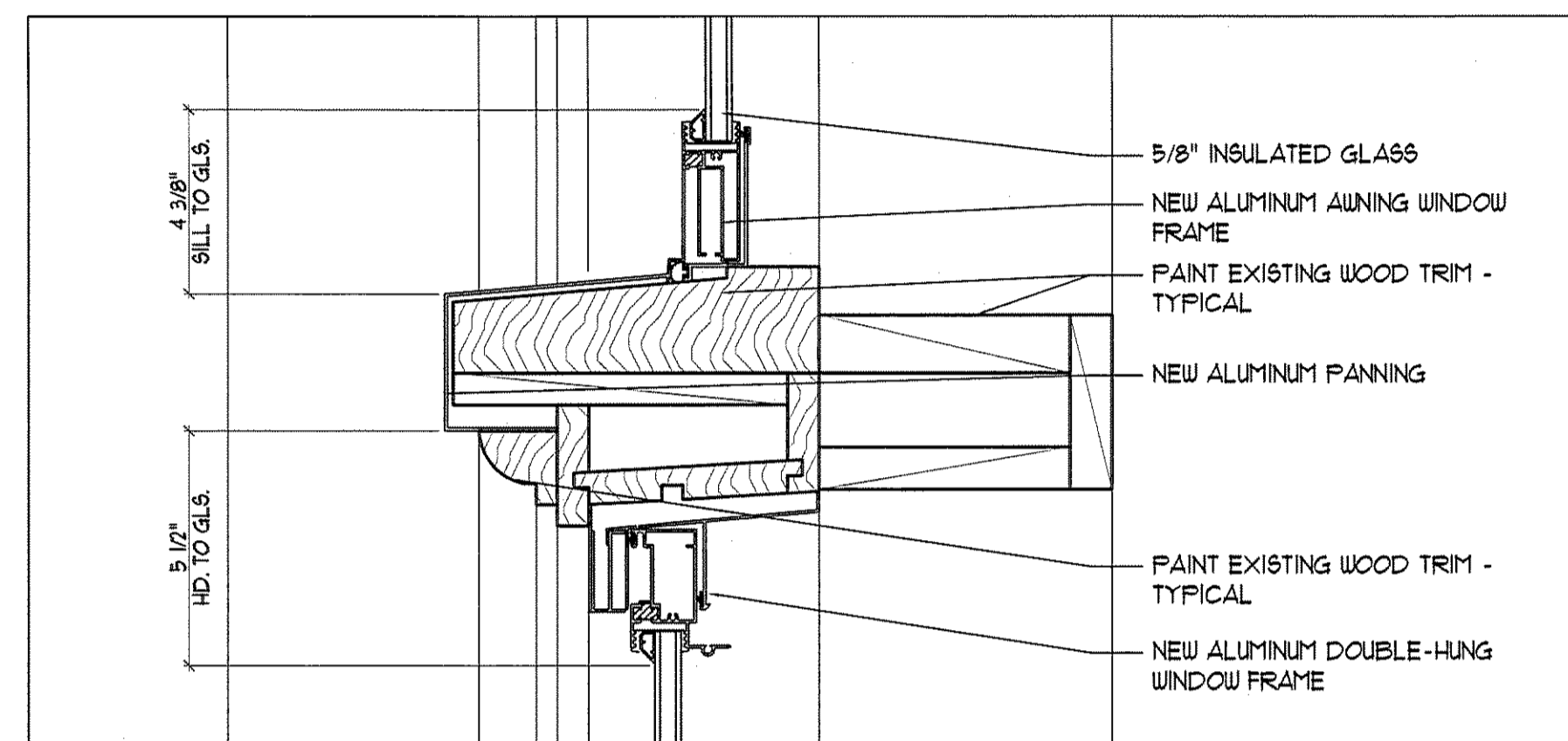
1 HEAD DETAIL - EXISTING WINDOW
SCALE: 3"=1'-0"



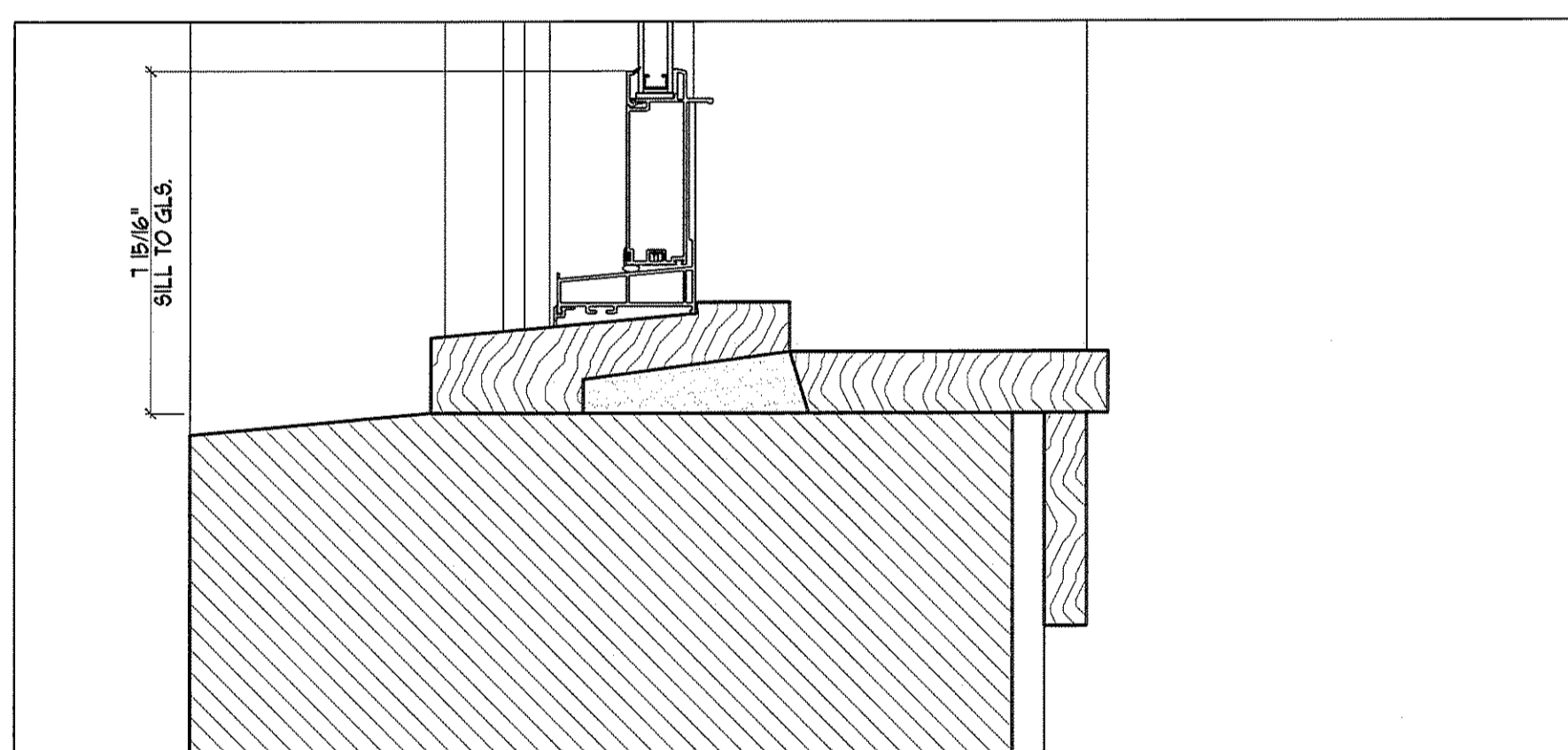
4 HEAD DETAIL - REPLACEMENT WINDOW
SCALE: 3"=1'-0"



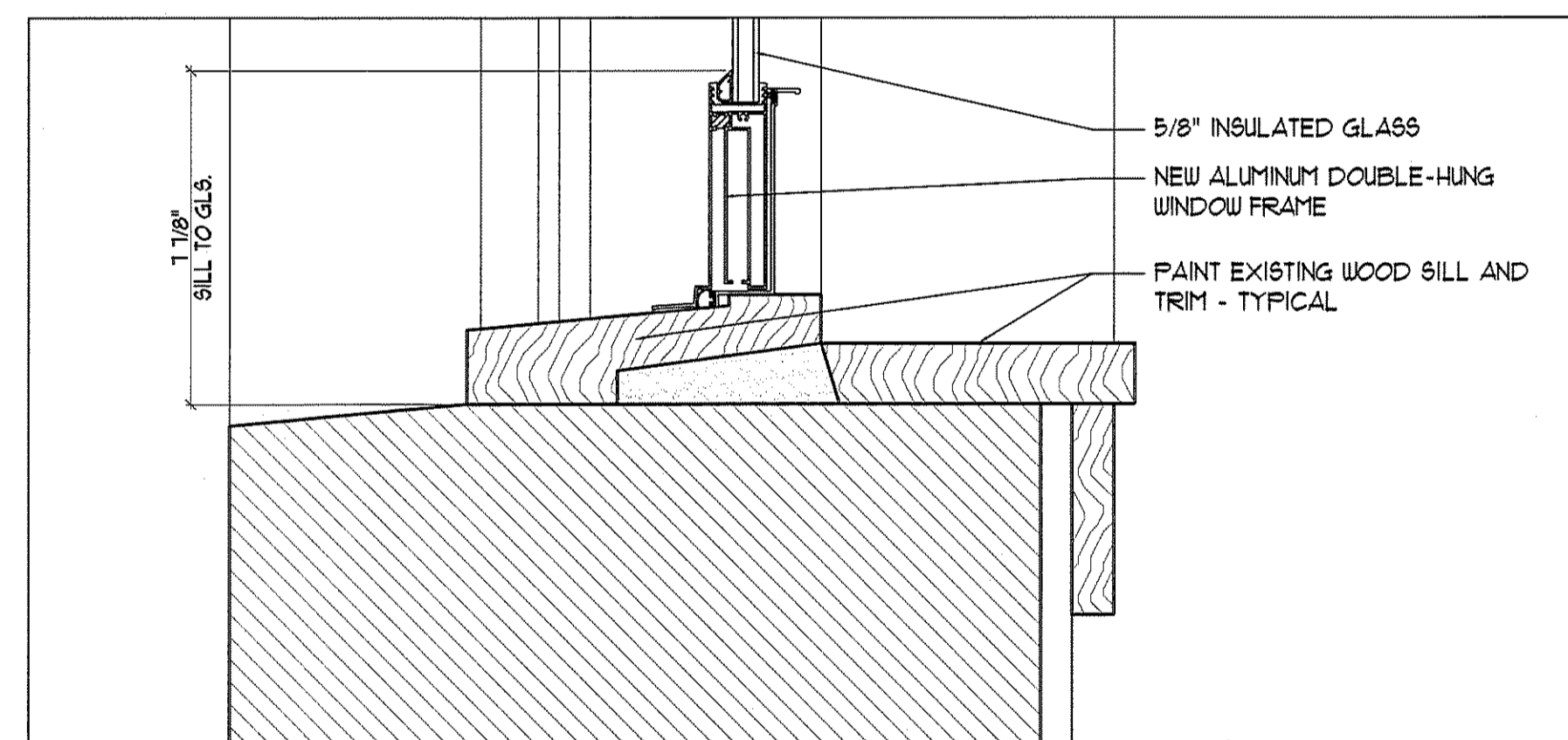
2 DETAIL - EXISTING WINDOW
SCALE: 3"=1'-0"



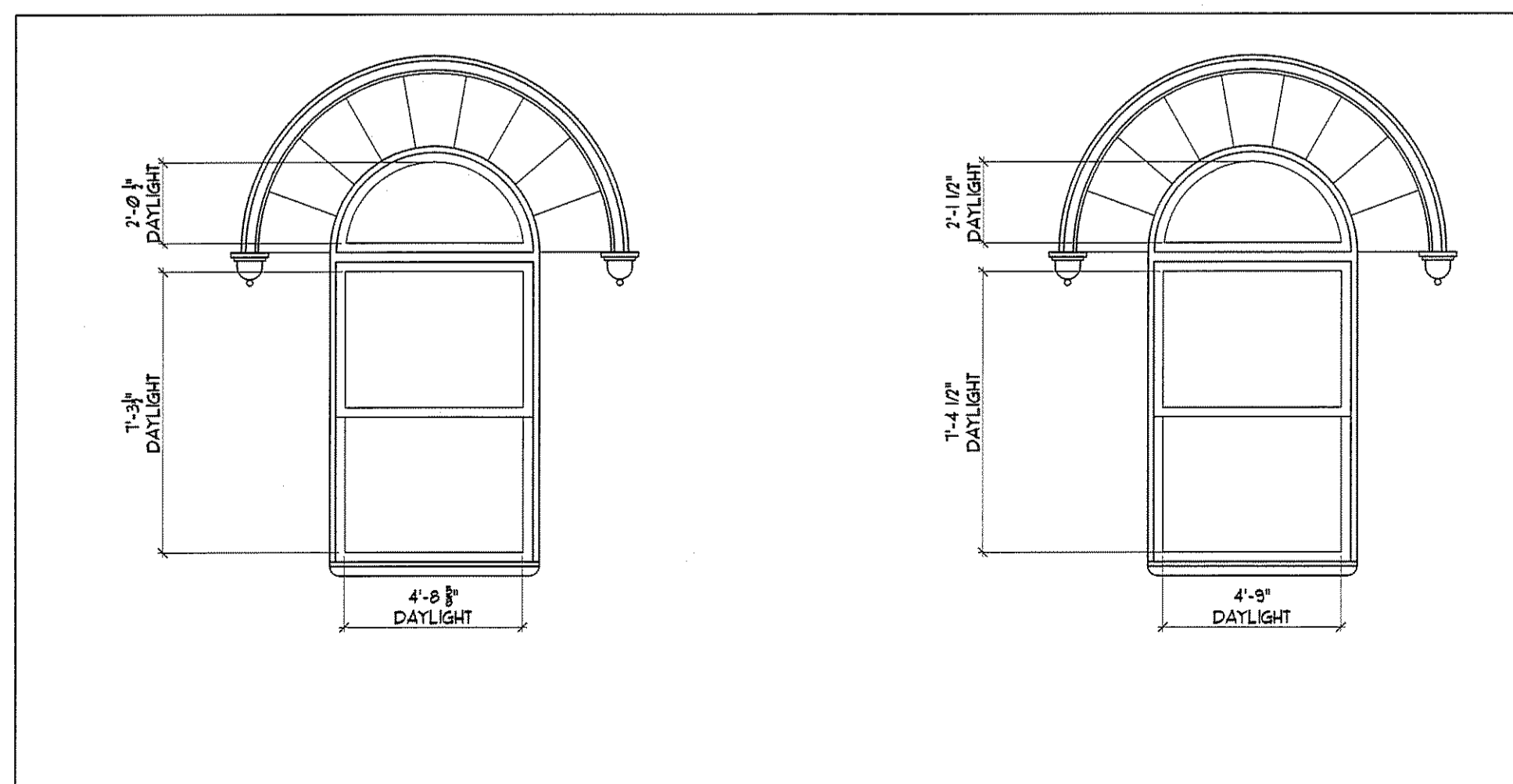
5 DETAIL - REPLACEMENT WINDOW
SCALE: 3"=1'-0"



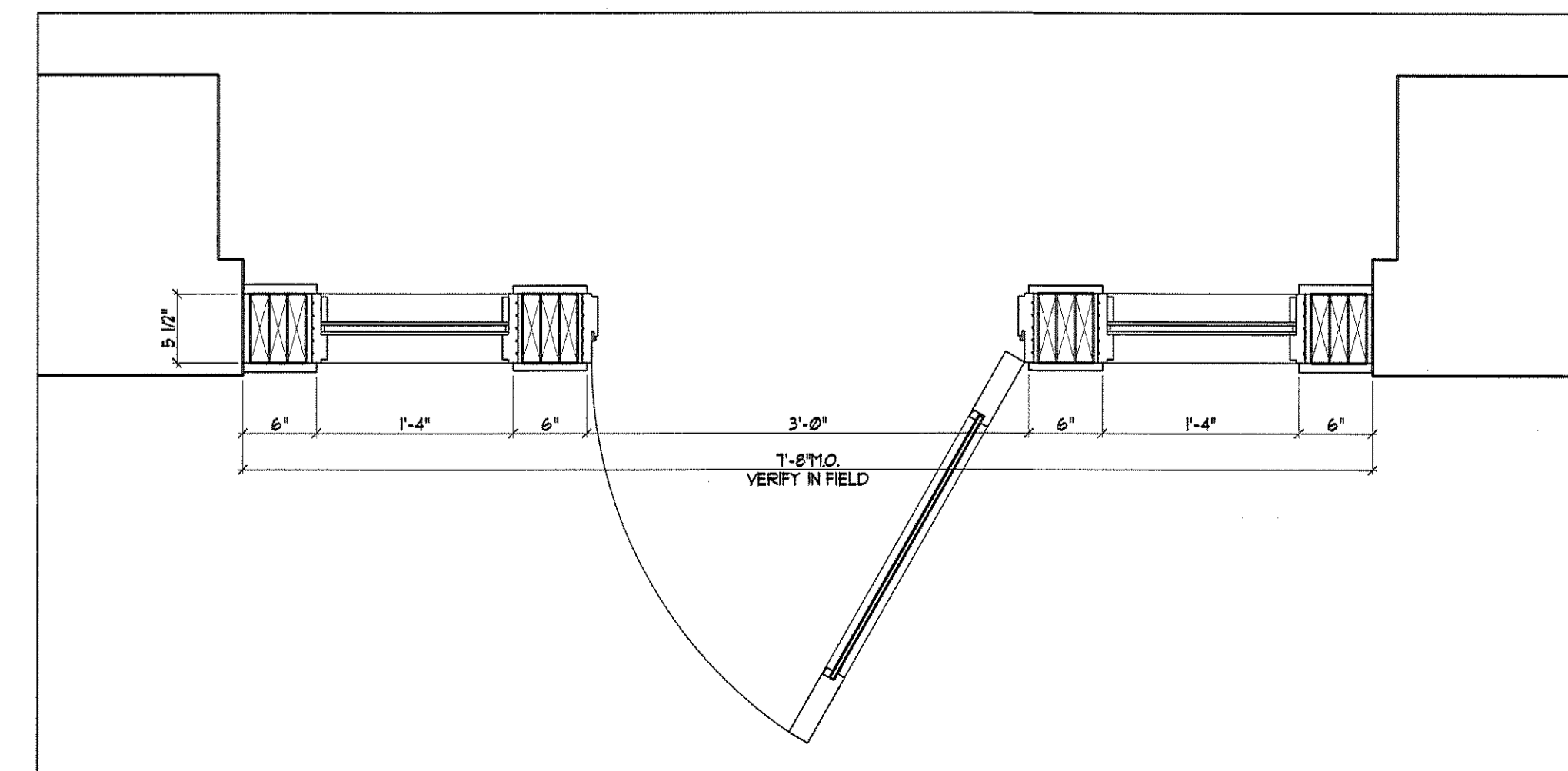
3 SILL DETAIL - EXISTING WINDOW
SCALE: 3"=1'-0"



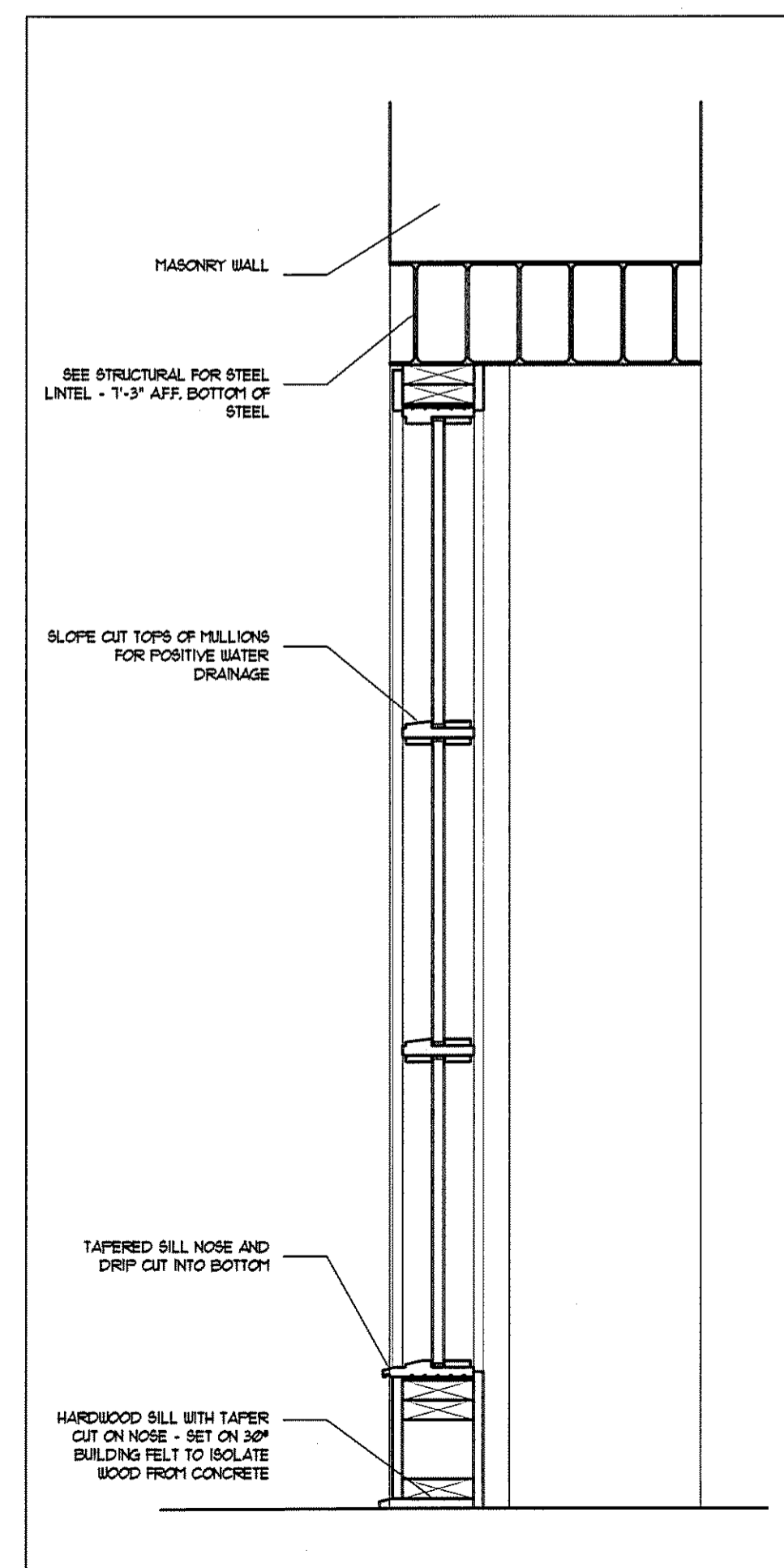
6 SILL DETAIL - REPLACEMENT WINDOW
SCALE: 3"=1'-0"



7 EXISTING TYPE 'A' WINDOW - SOUTH ELEV. SCALE: 1/4"=1'-0"
8 PROPOSED TYPE 'A' WINDOW - SOUTH ELEV. SCALE: 1/4"=1'-0"



A DETAIL PLAN - DOOR 03
SCALE: 1"=1'-0"

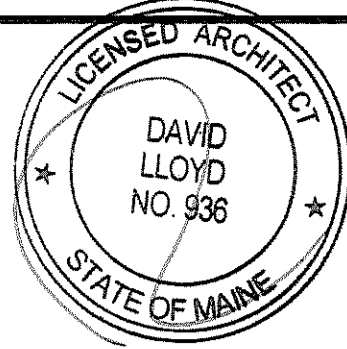
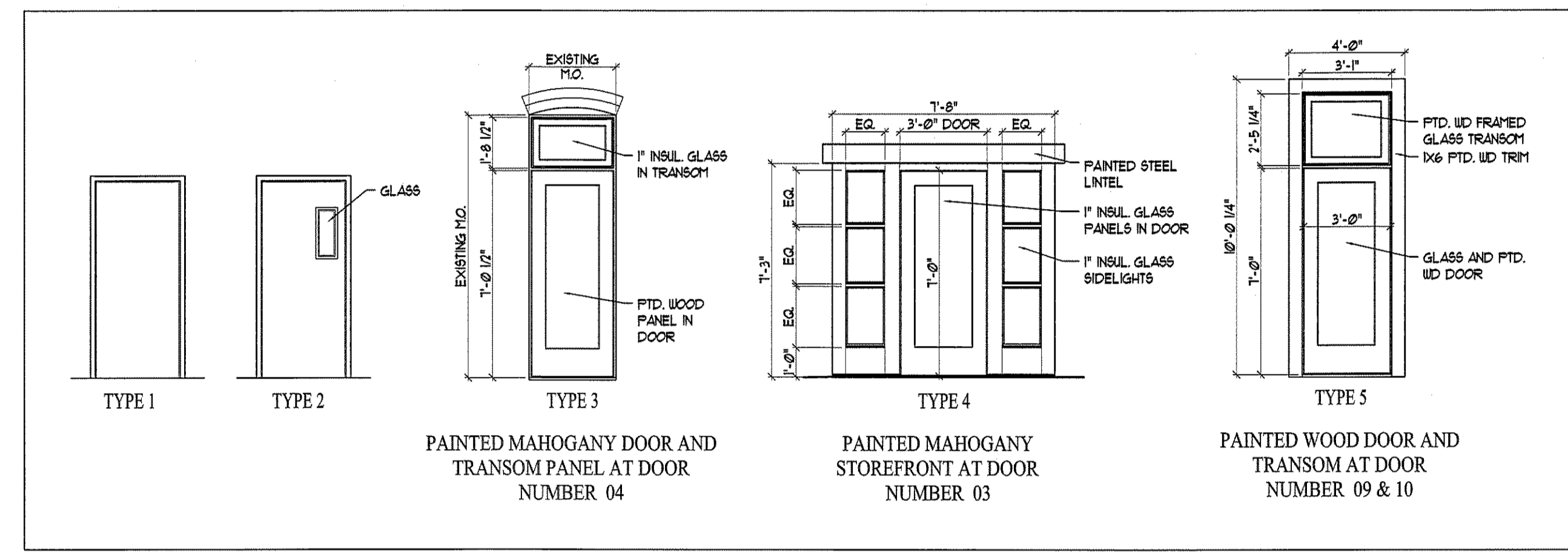


B DETAIL SECTION - DOOR 03
SCALE: 1"=1'-0"

*** CORE AND SHELL DOOR SCHEDULE ***

DOOR No.	SIZE W x H x T	DOOR		FINISH	THRESH	HARDWARE		LABEL	REMARKS
		Type	Material			Frame	Lockset Type		
01	3'-0" x 7'-0" x 1 3/4"	2	Metal	Painted		Metal	Passage	90 min.	Smoke control and electric hold back
02	3'-0" x 7'-0" x 1 3/4"	1	Insul. Metal	Painted	Aluminum	Metal	Exit Only	90 min.	Smoke control
03	3'-0" x 7'-0" x 1 3/4"	4	Wood/Glass	Painted	Aluminum	Wood	Lockset		Ptd. Mahogany framed sidelights and door
04	4'-0" x 7'-0" x 1 3/4"	3	Wood/Glass	Painted	Aluminum	Wood	Lockset		Ptd. Mahogany framed door and transom
05	3'-0" x 7'-6" x 1 3/4"	3	Wood/Glass	Painted	Aluminum	Wood	Lockset		Ptd. Mahogany framed door
06	3'-0" x 7'-0" x 1 3/4"	1	Metal	Painted		Metal	Lockset	60 min.	
07	3'-0" x 7'-0" x 1 3/4"	1	Insul. Metal	Painted	Aluminum	Metal	Lockset		
08	3'-0" x 7'-0" x 1 3/4"	1	Metal	Painted		Metal	Lockset		
09	3'-0" x 7'-0" x 1 3/4"	3	Wood/Glass	Painted		Wood	Passage		Painted wood door and transom
10	3'-0" x 7'-0" x 1 3/4"	5	Wood/Glass	Painted		Wood	Passage		Painted wood door and transom
11	3'-0" x 7'-0" x 1 3/4"	3	Wood/Glass	Painted	Aluminum	Wood	Lockset		Ptd. Mahogany framed door and transom
12	3'-0" x 7'-0" x 1 3/4"	1	Metal	Painted		Metal	Lockset		
21	3'-0" x 7'-0" x 1 3/4"	2	Metal	Painted		Metal	Passage	90 min.	Smoke control and electric hold back
22	3'-0" x 7'-0" x 1 3/4"	2	Metal	Painted		Metal	Passage	90 min.	Smoke control and electric hold back
31	3'-0" x 7'-0" x 1 3/4"	2	Metal	Painted		Metal	Passage	90 min.	Smoke control and electric hold back
32	3'-0" x 7'-0" x 1 3/4"	2	Metal	Painted		Metal	Passage	90 min.	Smoke control and electric hold back

* Door supplier shall include full hardware set, including but not limited to - hinges, closers, stops, cylinders, keys, sweeps, gasketing as required. Full submittals shall be made to Architect according to procedures set forth in the specifications manual.



Prepared For:
NORTHLAND ENTERPRISES, LLC
ONE CITY CENTER - 4TH FLOOR
PORTLAND, ME 04101

Consulting Engineer:
ARCHETYPE architects
48 Union Wharf Portland, Maine 04101
(207) 772-6022 Fax (207) 772-4056

Project:
The BAXTER LIBRARY
619 CONGRESS STREET
PORTLAND, MAINE

Revisions:
Issued for Pricing - 19 August 2009
Issued for Bid - 8 September 2009

Date:
19 August 2009
Scale:
AS NOTED
DOOR SCHEDULE AND WINDOW DETAILS

A7.01