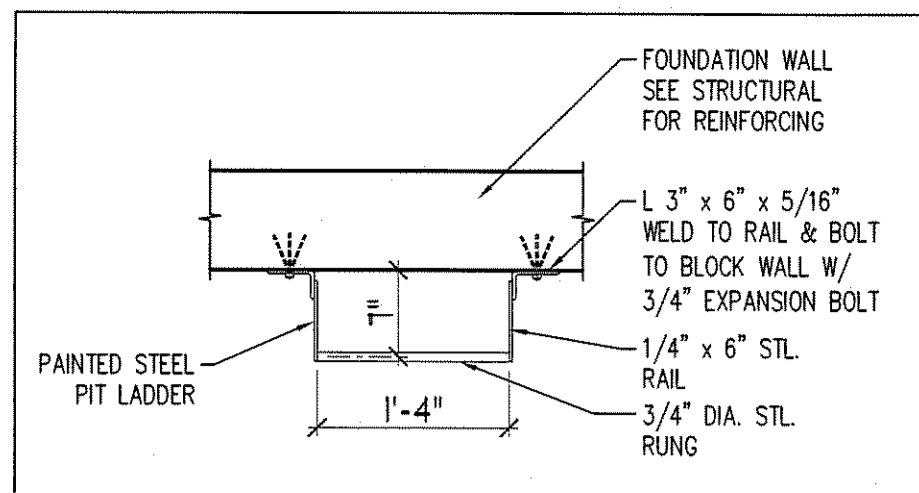
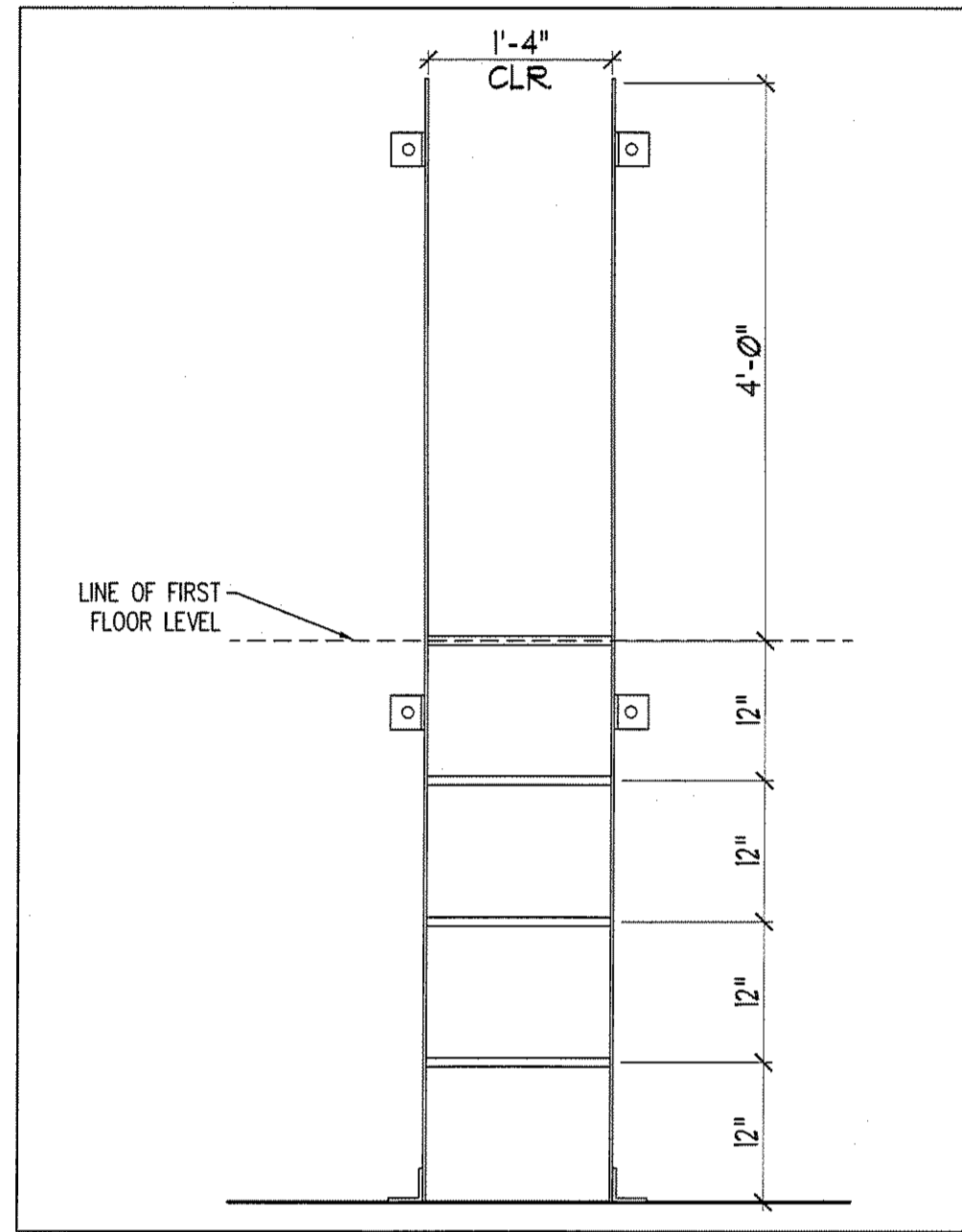


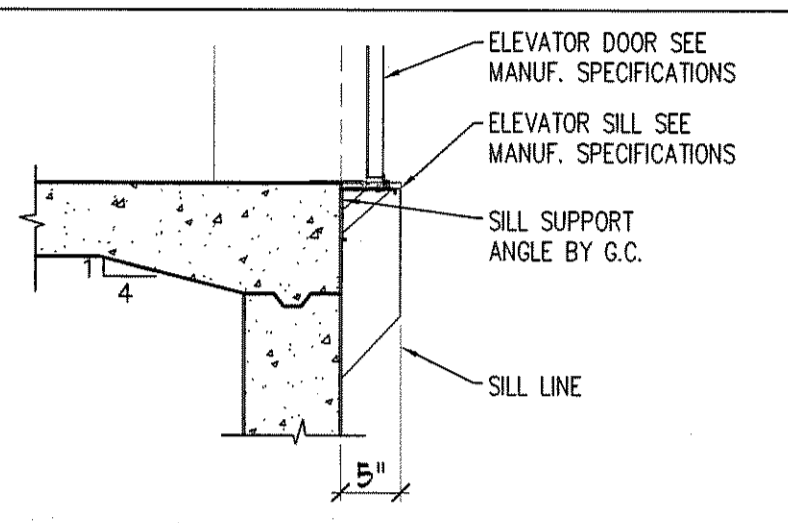
11 ELEVATOR SILL DETAIL
SCALE: 3/4"=1'-0"



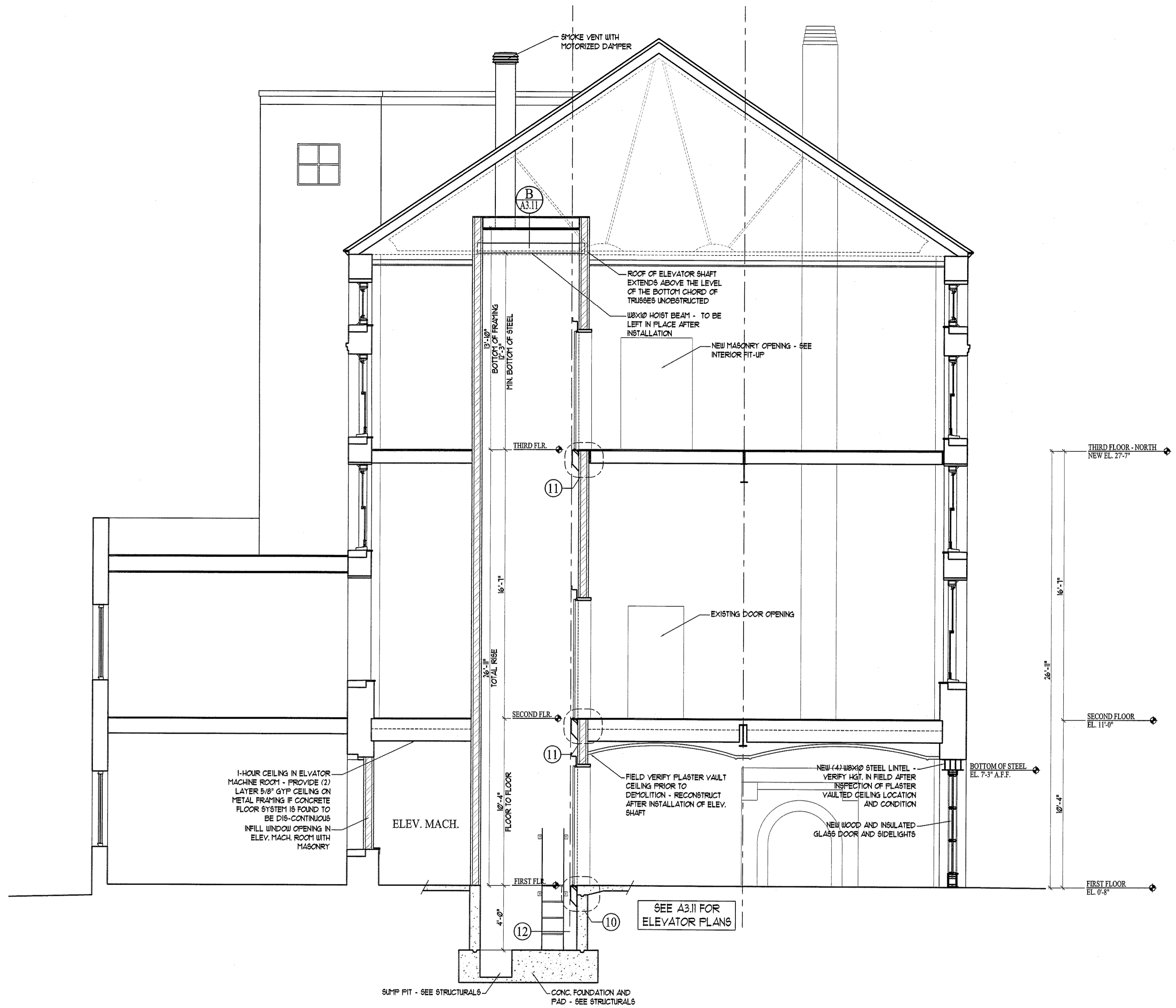
12 ELEVATOR PIT LADDER DETAIL
SCALE: 3/4"=1'-0"



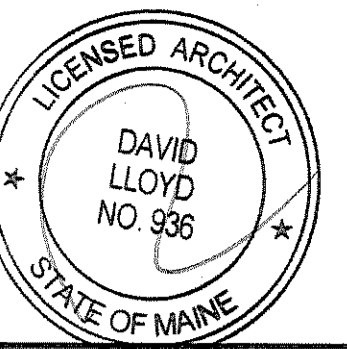
13 ELEVATOR PIT LADDER DETAIL
SCALE: 3/4"=1'-0"



10 ELEVATOR SILL DETAIL
SCALE: 3/4"=1'-0"



A ELEVATOR SECTION
SCALE: 1/4"=1'-0"



Prepared For:
NORTLAND ENTERPRISES, LLC
ONE CITY CENTER - 4TH FLOOR
PORTLAND, ME 04101

Consulting Engineer:

ARCHETYPE architects
48 Union Wharf Portland, Maine 04101
(207) 772-6022 Fax (207) 772-4056

Architect:

The BAXTER LIBRARY
619 CONGRESS STREET
PORTLAND, MAINE

Project:

Revisions:
Issued for Pricing - 19 August 2009
Issued for Bid - 8 September 2009

Date: 19 August 2009
Scale: AS NOTED
ELEVATOR SECTION AND DETAILS

A3.13